

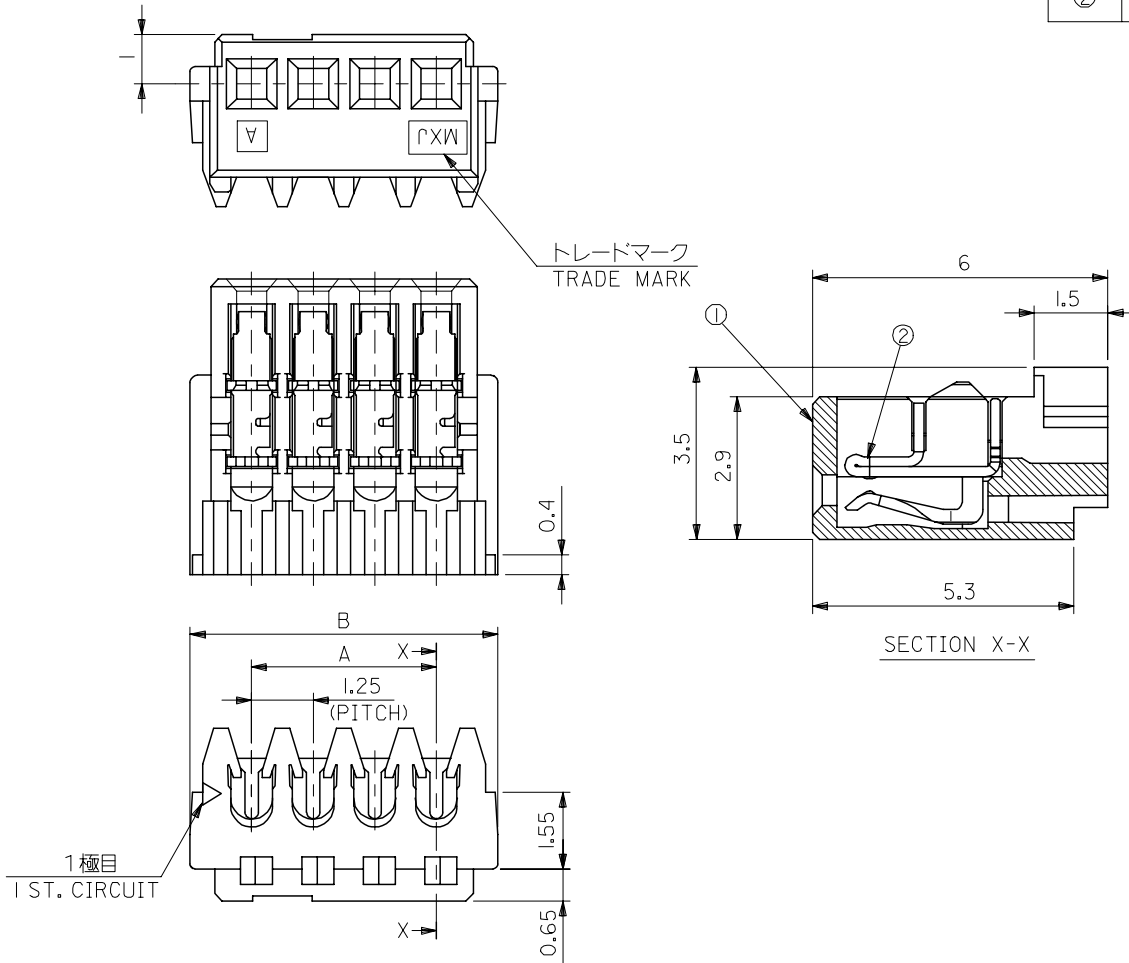
番号 NO.	名称 NAME	原料 MATERIAL	数量 QTY	仕上げ FINISH
①	ハウジング HOUSING	PBT PBT	1	ガラス30%, UL94V-0 G.F.30%
②	ターミナル TERMINAL	りん青銅 (+0.2) PHOSPHOR BRONZE(+0.2)	N	全体錫メッキ PRE-TINNED

注) NOTES

1. 原料および仕上げ: 表参照
MATERIAL AND FINISH: SEE CHART

△製品番号
MATERIAL NO.
51336-***

極数 CIRCUIT SIZE(O2 ~ 20)
色 COLOR 10: 白色 WHITE



極数	CIRCUIT SIZE	MATERIAL NO.	MODEL NO.
26.25	23.75	20	51336-201*
25	22.5	19	51336-191*
23.75	21.25	18	51336-181*
22.5	20	17	51336-171*
21.25	18.75	16	51336-161*
20	17.5	15	51336-151*
18.75	16.25	14	51336-141*
17.5	15	13	51336-131*
16.25	13.75	12	51336-121*
15	12.5	11	51336-111*
13.75	11.25	10	51336-101*
12.5	10	9	51336-091*
11.25	8.75	8	51336-081*
10	7.5	7	51336-071*
8.75	6.25	6	51336-061*
7.5	5	5	51336-051*
6.25	3.75	4	51336-041*
5	2.5	3	51336-031*
3.75	1.25	2	51336-021*
B	A	極数	△製品番号 MATERIAL NO. MODEL NO.

材料 MATERIAL	SEE CHART
仕上げ FINISH	SEE CHART
適用電線範囲 WIRE RANGE	AWG #26, #28
被覆外径 INS. RANGE	φ0.8 - φ0.9

REV	DESCRIPTION
0	RELEASED EC NO: J2006-1346 DRW: M.NABE 2005/11/25 CHK: K.TOYODA 2005/11/28 APP: N.UKITA 2005/11/30

GENERAL TOLERANCES (UNLESS SPECIFIED)	
10 UNDER	±0.2
10 OVER 30 UNDER	±0.25
30 OVER	±0.3
ANGULAR	±3 °
DRAFT WHERE APPLICABLE MUST REMAIN WITHIN DIMENSIONS	

DIMENSION STYLE	SCALE	DESIGN UNITS	THIRD ANGLE PROJECTION
MM ONLY	10:1	METRIC	☉ □
DRAWN BY	DATE	TITLE	
M.NABE I	'05/10/24	MINI M12 REC. ASSY (SN)	
CHECKED BY	DATE	MOLEX INCORPORATED	
K.TOYODA	'05/10/24		
APPROVED BY	DATE	DOCUMENT NO.	
N.UKITA	'05/10/24	SD-51336-001	
MATERIAL NO.	SIZE	SHEET NO.	
SEE CHART	A3	1 OF 1	
THIS DRAWING CONTAINS INFORMATION THAT IS PROPRIETARY TO MOLEX INCORPORATED AND SHOULD NOT BE USED WITHOUT WRITTEN PERMISSION			