

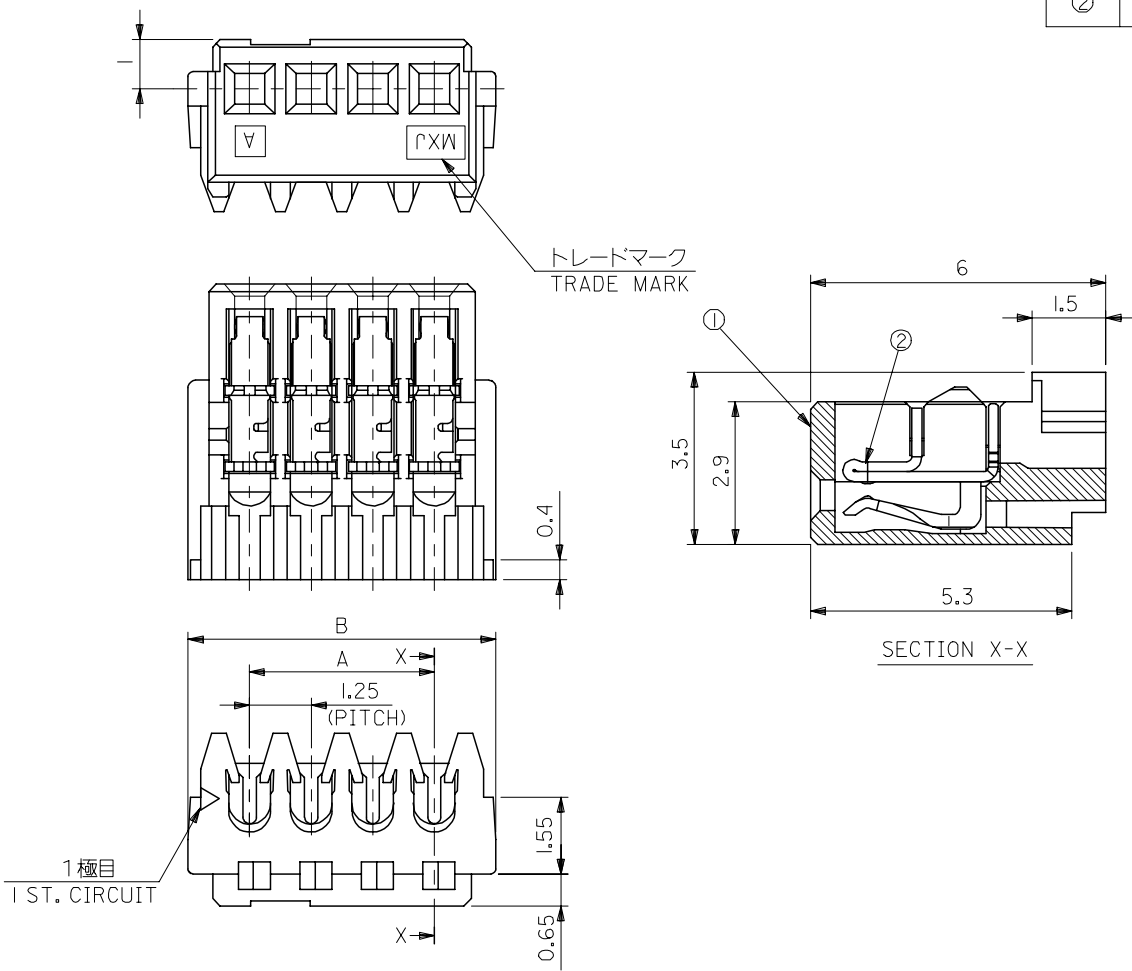
番号 NO.	名称 NAME	原料 MATERIAL	数量 QTY	仕上げ FINISH
①	ハウジング HOUSING	PBT PBT	1	ガラス30%, UL94V-0 G.F.30%
②	ターミナル TERMINAL	りん青銅 (+0.2) PHOSPHOR BRONZE(+0.2)	N	全体錫メッキ PRE-TINNED

注) NOTES

1. 原料および仕上げ: 表参照
MATERIAL AND FINISH : SEE CHART

△製品番号
MATERIAL NO.
51336-***

極数 CIRCUIT SIZE(O2 ~ 20)
色 COLOR 10: 白色 WHITE



極数	CIRCUIT SIZE	極数	CIRCUIT SIZE	極数	CIRCUIT SIZE	極数	CIRCUIT SIZE	極数	CIRCUIT SIZE	極数	CIRCUIT SIZE	極数	CIRCUIT SIZE	極数	CIRCUIT SIZE	極数	CIRCUIT SIZE	極数	CIRCUIT SIZE	
26.25	23.75	20	51336-201*																	
25	22.5	19	51336-191*																	
23.75	21.25	18	51336-181*																	
22.5	20	17	51336-171*																	
21.25	18.75	16	51336-161*																	
20	17.5	15	51336-151*																	
18.75	16.25	14	51336-141*																	
17.5	15	13	51336-131*																	
16.25	13.75	12	51336-121*																	
15	12.5	11	51336-111*																	51336-***1*
13.75	11.25	10	51336-101*																	
12.5	10	9	51336-091*																	
11.25	8.75	8	51336-081*																	
10	7.5	7	51336-071*																	
8.75	6.25	6	51336-061*																	
7.5	5	5	51336-051*																	
6.25	3.75	4	51336-041*																	
5	2.5	3	51336-031*																	
3.75	1.25	2	51336-021*																	
B	A	CIRCUIT SIZE	極数	製品番号	MATERIAL NO.	MODEL NO.														

材料 MATERIAL	SEE CHART
仕上げ FINISH	SEE CHART
適用電線範囲 WIRE RANGE	AWG #26, #28
被覆外径 INS. RANGE	φ0.8 - φ0.9

RELEASED EC NO: J2006-1346 DRW: M.NABE1 2005/11/25 CHK: K.TOYODA 2005/11/28 APPR: N.UKITA 2005/11/30	GENERAL TOLERANCES (UNLESS SPECIFIED)		DIMENSION STYLE MM ONLY		SCALE 10:1	DESIGN UNITS METRIC	THIRD ANGLE PROJECTION	
	10 UNDER	±0.2	DRAWN BY DATE M.NABE1 '05/10/24		TITLE MINI M12 REC. ASSY (SN)			
	10 OVER 30 UNDER	±0.25	CHECKED BY DATE K.TOYODA '05/10/24		MOLEX INCORPORATED			
	30 OVER	±0.3	APPROVED BY DATE N.UKITA '05/10/24					
	ANGULAR	±3 °	MATERIAL NO. SEE CHART		DOCUMENT NO. SD-51336-001		SHEET NO. 1 OF 1	
DRAFT WHERE APPLICABLE MUST REMAIN WITHIN DIMENSIONS		SIZE A3		THIS DRAWING CONTAINS INFORMATION THAT IS PROPRIETARY TO MOLEX INCORPORATED AND SHOULD NOT BE USED WITHOUT WRITTEN PERMISSION				