

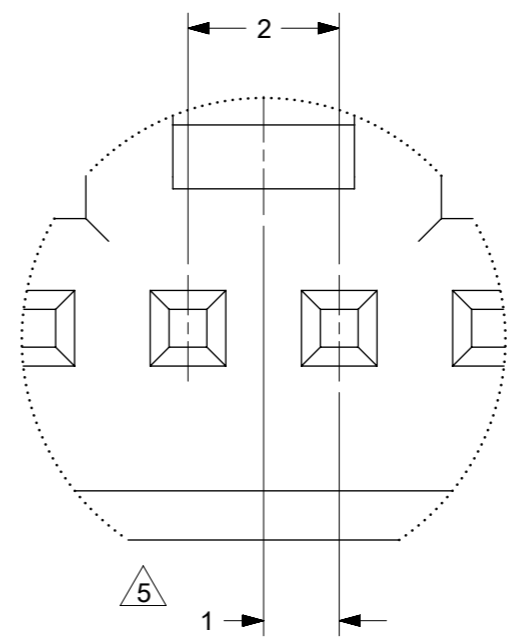
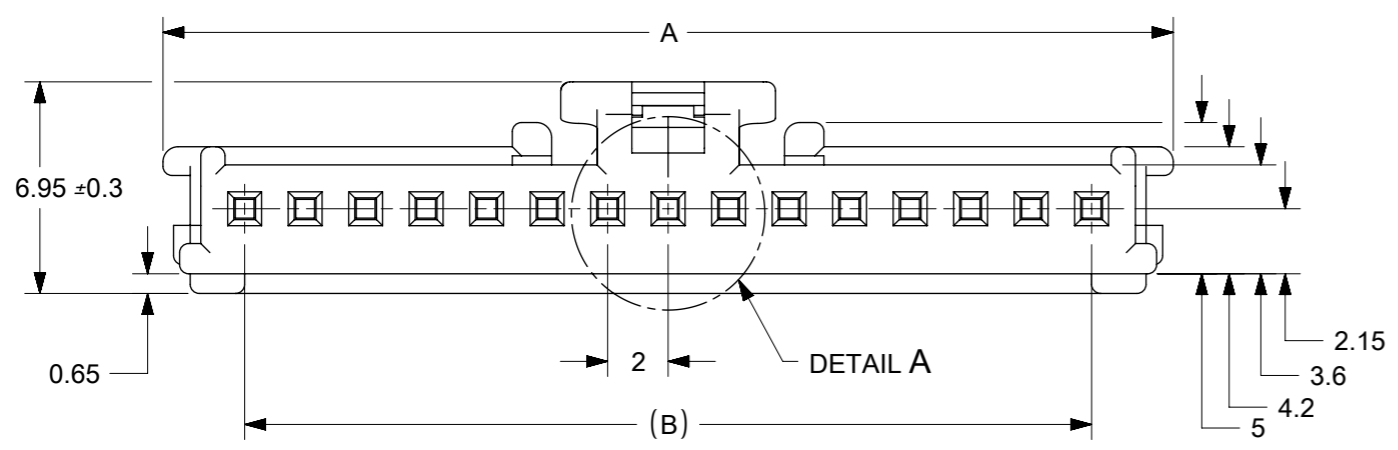
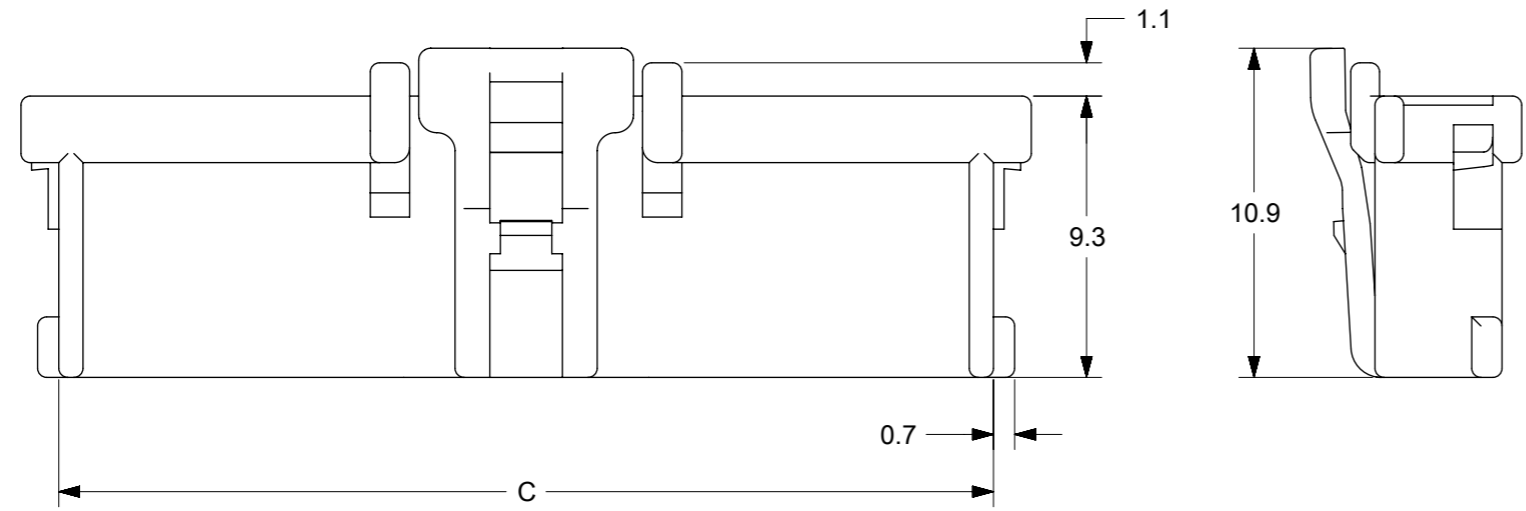
NOTES

- ① SIZE OF LETTERS 0.7 AND CLEAR.
- ② SIZE OF LETTERS 1 AND CLEAR
- 3. APPLICABLE TERM. : 59370,56134 SERIES.
- ④ MATE WITH : 55932,55935 SERIES.
- 5 APPLY EVEN CIRCUIT
- 6. MATERIAL : 66NYLON, UL94V-0
- 7. MATERIAL NO.

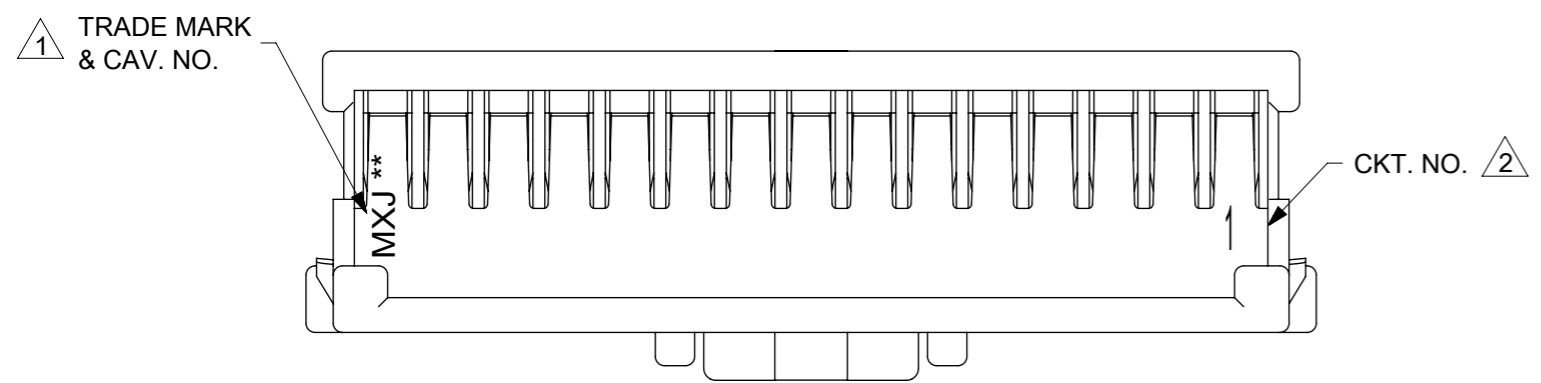
5138- X X X X

CKT                      COLOR

NATURAL (WHITE)	00
BLACK	01
RED	02
YELLOW	03
BLUE	04
PINK	05
GREEN	06
BROWN	07
ORANGE	08
VIOLET	09
GRAY	11
FLUORESCENCE YELLOW	13
PALE BLUE	14
YELLOWISH GREEN	16

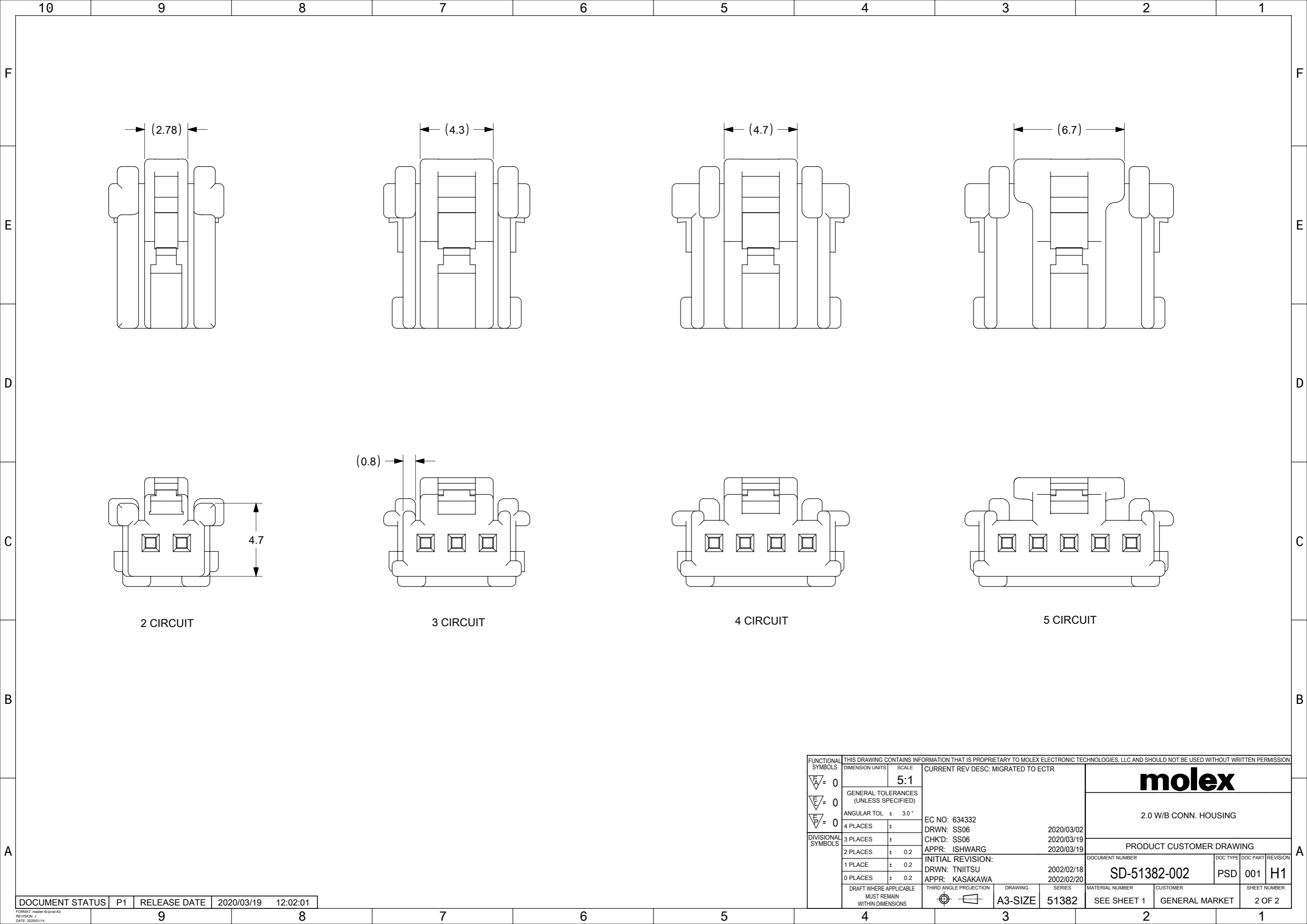


DETAIL A  
SCALE 10:1



CKT	MATERIAL NO.	A	B	C
2	51382-02XX	7.4	2	4.6
3	51382-03XX	9.4	4	6.9
4	51382-04XX	11.4	6	8.9
5	51382-05XX	13.4	8	10.9
6	51382-06XX	15.4	10	12.9
7	51382-07XX	17.4	12	14.9
8	51382-08XX	19.4	14	16.9
9	51382-09XX	21.4	16	18.9
10	51382-10XX	23.4	18	20.9
11	51382-11XX	25.4	20	22.9
12	51382-12XX	27.4	22	24.9
13	51382-13XX	29.4	24	26.9
14	51382-14XX	31.4	26	28.9
15	51382-15XX	33.4	28	30.9

FUNCTIONAL SYMBOLS $\nabla_A = 0$ $\nabla_E = 0$ $\nabla_V = 0$	THIS DRAWING CONTAINS INFORMATION THAT IS PROPRIETARY TO MOLEX ELECTRONIC TECHNOLOGIES, LLC AND SHOULD NOT BE USED WITHOUT WRITTEN PERMISSION DIMENSION UNITS:      SCALE: 4:1 GENERAL TOLERANCES (UNLESS SPECIFIED) ANGULAR TOL ± 3.0° 4 PLACES ± 3 PLACES ± 2 PLACES ± 0.2 1 PLACE ± 0.2 0 PLACES ± 0.2	CURRENT REV DESC: MIGRATED TO ECTR EC NO: 634332 DRWN: SS06 CHK'D: SS06 APPR: ISHWARG INITIAL REVISION: DRWN: TNIITSU APPR: KASAKAWA	2020/03/02 2020/03/19 2020/03/19 2002/02/18 2002/02/20			
	DIVISIONAL SYMBOLS DRAFT WHERE APPLICABLE MUST REMAIN WITHIN DIMENSIONS THIRD ANGLE PROJECTION 	DRAWING: A3-SIZE SERIES: 51382 MATERIAL NUMBER: SEE TABLE CUSTOMER: GENERAL MARKET SHEET NUMBER: 1 OF 2	PRODUCT CUSTOMER DRAWING DOCUMENT NUMBER: SD-51382-002 DOC TYPE: PSD DOC PART: 001 REVISION: H1			



2 CIRCUIT

3 CIRCUIT

4 CIRCUIT

5 CIRCUIT

FUNCTIONAL SYMBOLS	THIS DRAWING CONTAINS INFORMATION THAT IS PROPRIETARY TO MOLEX ELECTRONIC TECHNOLOGIES, LLC AND SHOULD NOT BE USED WITHOUT WRITTEN PERMISSION		
	DIMENSION UNITS	SCALE	CURRENT REV DESC: MIGRATED TO ECTR
$\nabla_A = 0$		5:1	<p><b>molex</b></p> <p>2.0 W/B CONN. HOUSING</p> <p>PRODUCT CUSTOMER DRAWING</p>
$\nabla_F = 0$	GENERAL TOLERANCES (UNLESS SPECIFIED)		
$\nabla_P = 0$	ANGULAR TOL ± 3.0°		
DIVISIONAL SYMBOLS	4 PLACES ±		
	3 PLACES ±		EC NO: 634332
	2 PLACES ± 0.2		DRWN: SS06 2020/03/02
	1 PLACE ± 0.2		CHK'D: SS06 2020/03/19
	0 PLACES ± 0.2		APPR: ISHWARG 2020/03/19
DRAFT WHERE APPLICABLE MUST REMAIN WITHIN DIMENSIONS		THIRD ANGLE PROJECTION	INITIAL REVISION:
			DRWN: TNIITSU 2002/02/18
		DRAWING	APPR: KASAKAWA 2002/02/20
		SERIES	DOCUMENT NUMBER
		A3-SIZE	SD-51382-002
		MATERIAL NUMBER	DOC TYPE
		SEE SHEET 1	PSD
		CUSTOMER	DOC PART
		GENERAL MARKET	001
		SHEET NUMBER	REVISION
		2 OF 2	H1