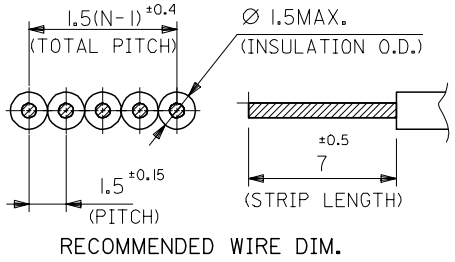
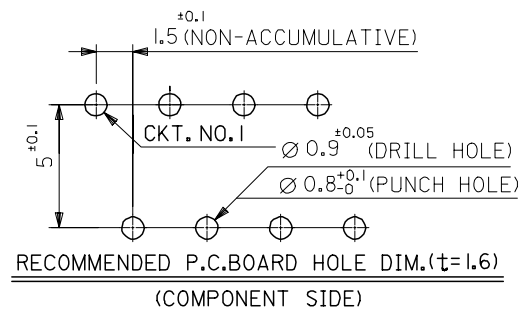
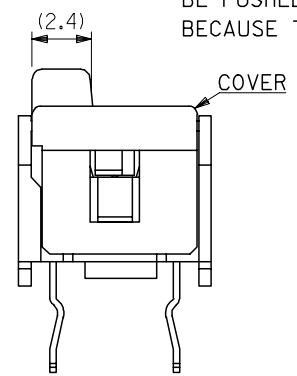
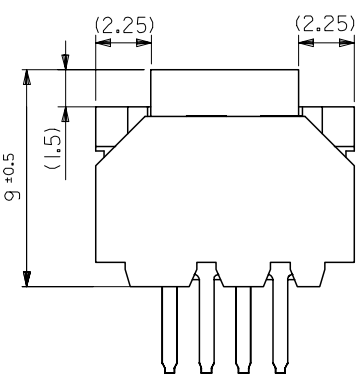
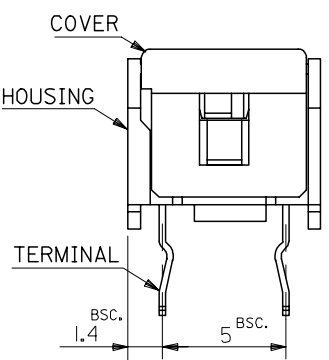
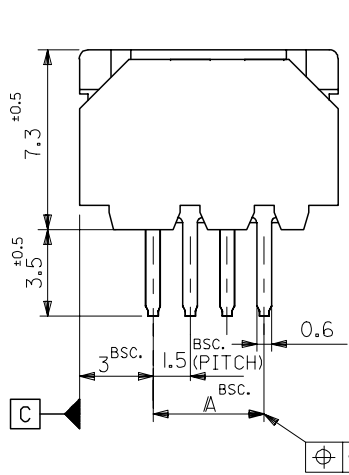
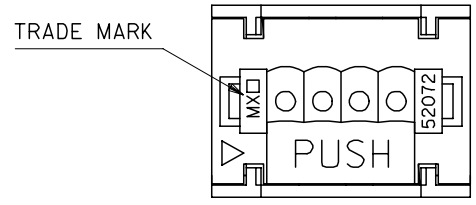
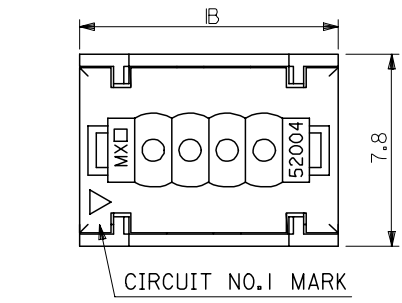


FOR 3~12CKTS.

FOR 13~17CKTS.

(ONLY COVER SHAPE IS DIFFERENT FROM 3~12CKTS.)



RECOMMENDED WIRE DIM.

NOTES: 1. MATERIAL

TERMINAL: PHOS-BRO, TIN-PLATED. (t=0.254)
 HOUSING: PBT(15%G.F.), UL94V-0
 G.E. PLASTICS JAPAN LTD.
 VALOX DR-48 UL FILE NO. E45587
 COVER: PBT(30%G.F.), UL94V-0
 G.E. PLASTICS JAPAN LTD.
 VALOX 420-SEO UL FILE NO. E45587

2. APPLICABLE WIRE

1.5 PITCH RIBBON CABLE
 (UL2468, AWG#24~#26 TOP-COATED WIRE)

3. THE CABLE STRIPED AS SHOWN IN THE FIG.,

* (MARKED INSULATION) PART SHOULD NOT BE PUSHED AND SLID DIRECTLY BY THE COVER, BECAUSE THE COVER MAY BE POSSIBLY PUSHED DOWN.

30	24	52004-1710	17
28.5	22.5	-1610	16
27	21	-1510	15
25.5	19.5	-1410	14
24	18	-1310	13
22.5	16.5	-1210	12
21	15	-1110	11
19.5	13.5	-1010	10
18	12	-0910	9
16.5	10.5	-0810	8
15	9	-0710	7
13.5	7.5	-0610	6
12	6	-0510	5
10.5	4.5	-0410	4
9	3	-0310	3
IB	A	52004-0310	3
		ENG. NO.	極数

REVISED ECNO: J2004-4815 DRAWN: IDA 2004/08/05 CHK: HAKASE 2004/08/05 APPR: JIMIZAWA 2004/08/17	GENERAL TOLERANCES (UNLESS SPECIFIED)		DIMENSION STYLE MM ONLY		SCALE 5:1	DESIGN UNITS METRIC	THIRD ANGLE PROJECTION
	10 UNDER	±0.2	DRAWN BY	DATE	TITLE 1.5 WIRE TRAP CONN.		
	10 OVER 30 UNDER	±0.25	SKUNISHI	86/08/27			
	30 OVER	±0.3	CHECKED BY	DATE	MOLEX INCORPORATED		
ANGULAR	±3 °	HII	93/01/18				
DRAFT WHERE APPLICABLE MUST REMAIN WITHIN DIMENSIONS		APPROVED BY	DATE	DOCUMENT NO. SD-52004-**10		SHEET NO. 1 OF 2	
		MATERIAL NO.	SEE CHART				
THIS DRAWING CONTAINS INFORMATION THAT IS PROPRIETARY TO MOLEX INCORPORATED AND SHOULD NOT BE USED WITHOUT WRITTEN PERMISSION							

ZFH0001024152004.S051

3極から12極の形状

13極から17極の形状
(カバーの形状のみ異なる)

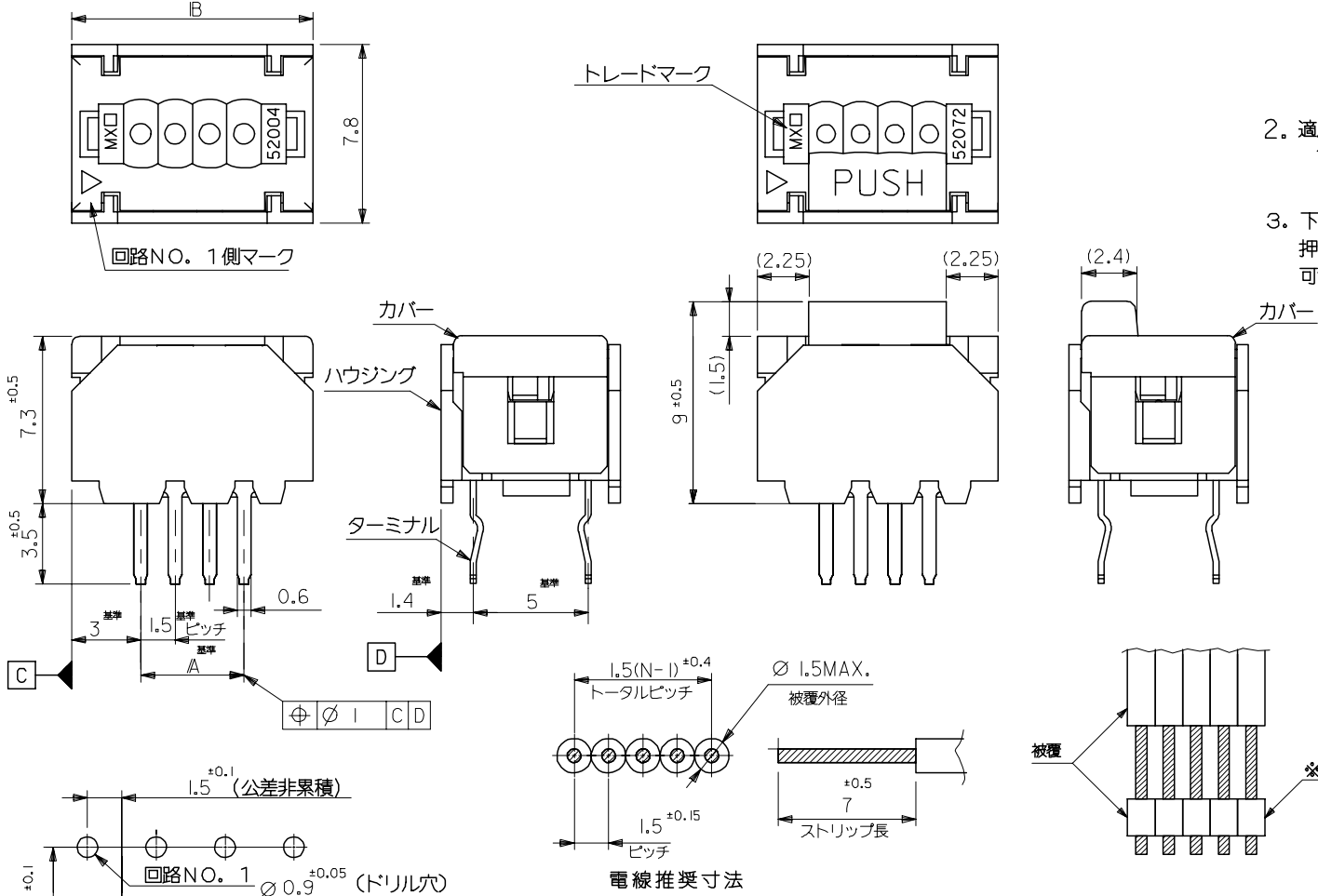
(注記) 1. 材質

ターミナル: 燐青銅材, 錫メッキ (t=0.254)
 ハウジング: PBT(15%G.F.), UL94V-0
 G.E. PLASTICS JAPAN LTD.
 VALOX DR-48 UL FILE NO. E45587
 カバー: PBT(30%G.F.), UL94V-0
 G.E. PLASTICS JAPAN LTD.
 VALOX 420-SEO UL FILE NO. E45587

2. 適用電線

1. 5mmピッチリボンケーブル。
 (UL2468、AWG#24~#26錫コート線)

3. 下図の様な末端処理ケーブルにて、*部を直接カバーに押し付けスライドさせる使用法はカバーが押し下げられる可能性があるため不可。



REVISED ECNO: J2004-4815 DRAWN: IDA 2004/08/05 CHK: KHTAKASE 2004/08/05 APPR: JMIYAZAW 2004/08/17	GENERAL TOLERANCES (UNLESS SPECIFIED)		DIMENSION STYLE MM ONLY		SCALE 5:1	DESIGN UNITS METRIC	THIRD ANGLE PROJECTION
	10 UNDER	±0.2	DRAWN BY SKUNISHI	DATE 86/08/27	TITLE 1.5 WIRE TRAP CONN. (JAPAN)		
	10 OVER 30 UNDER	±0.25	CHECKED BY HII	DATE 93/01/18			
	30 OVER	±0.3	APPROVED BY MFUKUSHIMA	DATE 93/01/18	MOLEX INCORPORATED DOCUMENT NO. SD-52004-**10 SHEET NO. 2 OF 2		
ANGULAR	±3 °	MATERIAL NO.	SIZE A3				
DRAFT WHERE APPLICABLE MUST REMAIN WITHIN DIMENSIONS		SEE CHART		THIS DRAWING CONTAINS INFORMATION THAT IS PROPRIETARY TO MOLEX INCORPORATED AND SHOULD NOT BE USED WITHOUT WRITTEN PERMISSION			