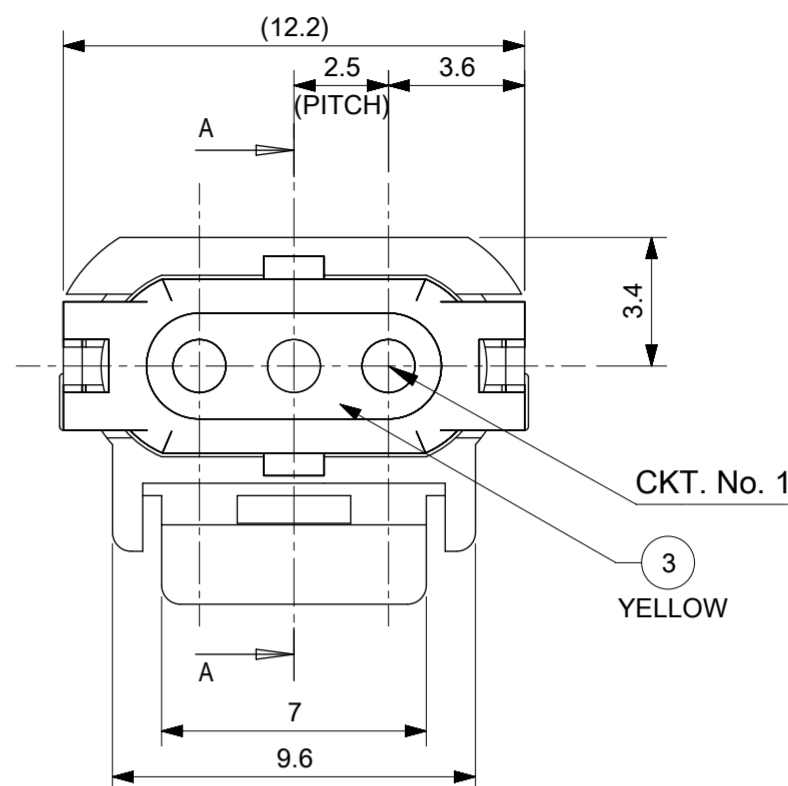
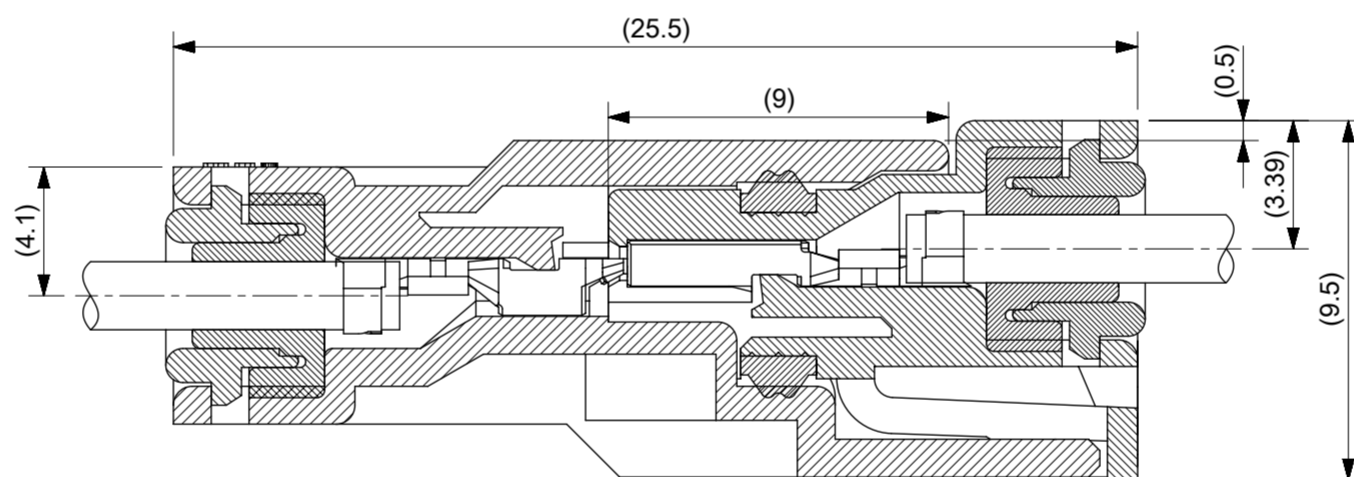
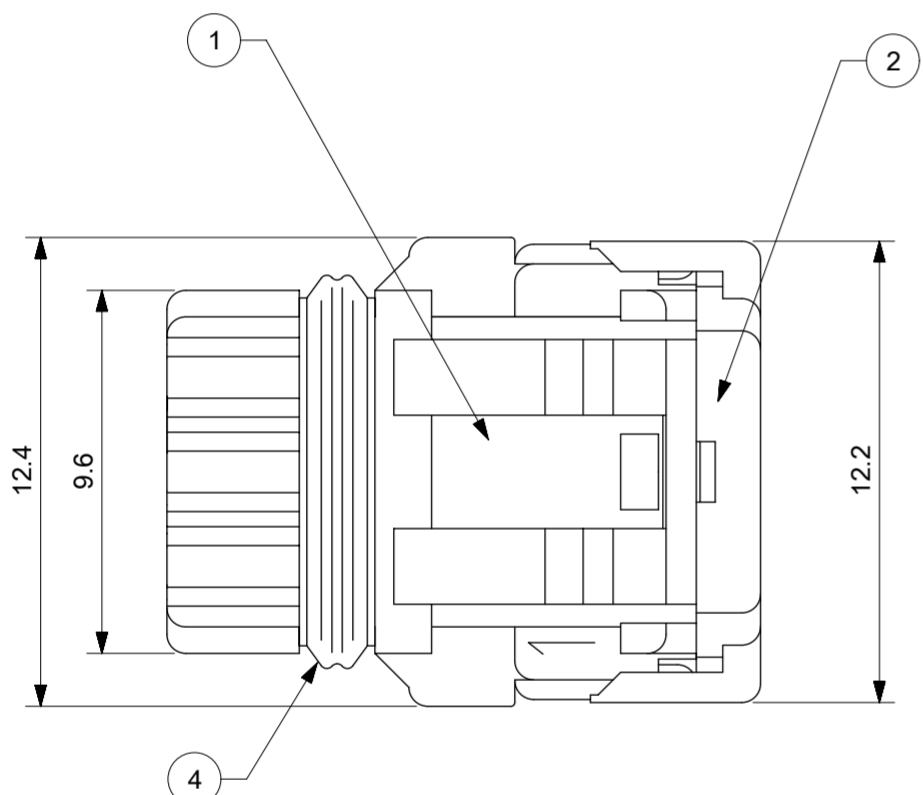


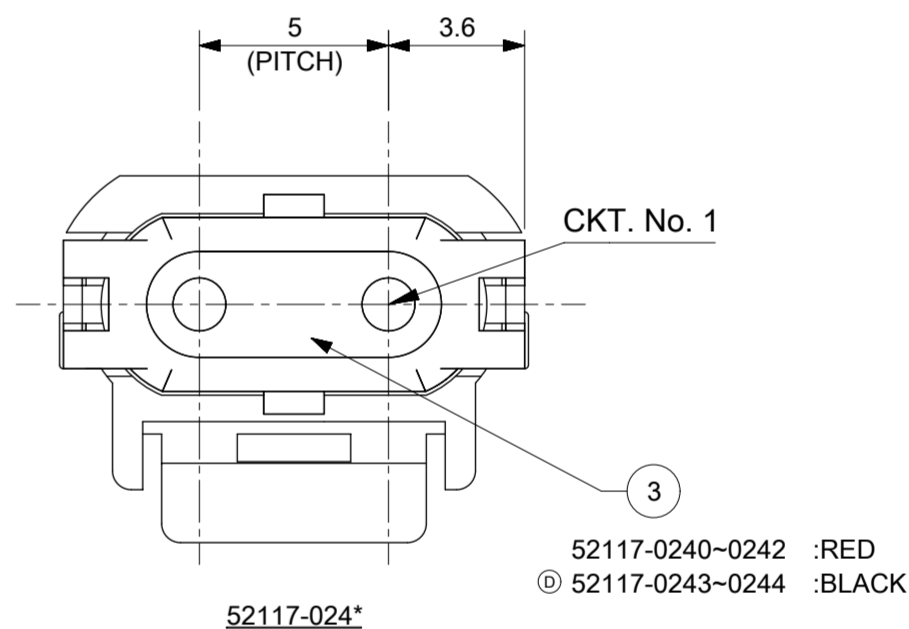
端子装着時の断面 A-A  
SECTION A-A TERMINAL ASSEMBLY DRAWING



52117-034\*



嵌合状態図  
FULLY MATED CONDITION



52117-024\*

- 注記  
NOTE
- 適合端子 : 50039-8\*00  
APPLICABLE TERMINAL:50039-8\*00
  - 嵌合相手 : 52116-0\*4\*  
MATES WITH:52116-0\*4\*
  - 製品仕様書 : PS-52117-007  
PRODUCT SPECIFICATION:PS-52117-007
  - 取扱説明書 : AS-52117-001  
APPLICATION SPECIFICATION : AS-52117-001
  - ELV及びRoHS適合品  
ELV AND RoHS COMPLIANT

赤 RED	52117-0342	3
黒 BLACK	52117-0341	3
白 WHITE	52117-0340	3
黒 BLACK	52117-0244	2
白 WHITE	52117-0243	2
赤 RED	52117-0242	2
黒 BLACK	52117-0241	2
白 WHITE	52117-0240	2
色 COLOR	MATERIAL NO.	極数 CKT

シリコンゴム SILICONE	黄 YELLOW	RING SEAL	④
シリコンゴム SILICONE	図参照 SEE DRAWING	WIRE END SEAL	③
ポリエステル (15%G.F.) POLYESTER	表参照 SEE CHART	CAP	②
ポリエステル (15%G.F.) POLYESTER	表参照 SEE CHART	REC. HOUSING	①
材料 MATERIAL	色 COLOR	名称 TITLE	
構成部品 COMPONENTS			

DOCUMENT STATUS	P1	RELEASE DATE	2018/11/28	07:54:17
-----------------	----	--------------	------------	----------

THIS DRAWING CONTAINS INFORMATION THAT IS PROPRIETARY TO MOLEX ELECTRONIC TECHNOLOGIES, LLC AND SHOULD NOT BE USED WITHOUT WRITTEN PERMISSION					
DIMENSION UNITS <b>mm</b>	SCALE <b>5:1</b>	CURRENT REV DESC:	<b>molex</b>		
GENERAL TOLERANCES (UNLESS SPECIFIED)		EC NO: 607893			
10 UNDER	±0.2	DRWN: TMORISHITA	2.5 WATERPROOF CONN. REC. HSG ASSY W/POSITIVE LOCK		
10 OVER 30 UNDER	±0.25	2018/08/16	PRODUCT CUSTOMER DRAWING		
30 OVER	±0.3	CHK'D: HKOMATSU	DOCUMENT NUMBER		
ANGULAR ±3 °		2018/11/27	DOC TYPE   DOC PART   REVISION		
GENERAL TOLERANCES (UNLESS SPECIFIED)		APPR: TOSADA	SD-52117-001		
4 PLACES	± 0.2	2018/11/28	PSD   001   D		
3 PLACES	± 0.25	INITIAL REVISION:	MATERIAL NUMBER		
2 PLACES	± 0.3	DRWN: SINAOKA	CUSTOMER		
1 PLACE	±	2011/11/30	SEE CHART		
0 PLACES	±	2012/01/18	GENERAL MARKET		
DRAFT WHERE APPLICABLE MUST REMAIN WITHIN DIMENSIONS		APPR: MAYAMAMOTO	SHEET NUMBER		
THIRD ANGLE PROJECTION		DRAWING	A2-SIZE		
SERIES		52117	1 OF 1		