

| | | | | |
|------|------|----|------------|----|
| 38.7 | 35.2 | 33 | 52207-3417 | 34 |
| 34.7 | 31.2 | 29 | -3017 | 30 |
| 33.7 | 30.2 | 28 | -2917 | 29 |
| 32.7 | 29.2 | 27 | -2817 | 28 |
| 31.7 | 28.2 | 26 | -2717 | 27 |
| 30.7 | 27.2 | 25 | -2617 | 26 |
| 29.7 | 26.2 | 24 | -2517 | 25 |
| 28.7 | 25.2 | 23 | -2417 | 24 |
| 27.7 | 24.2 | 22 | -2317 | 23 |
| 26.7 | 23.2 | 21 | -2217 | 22 |
| 25.7 | 22.2 | 20 | -2117 | 21 |
| 24.7 | 21.2 | 19 | -2017 | 20 |
| 23.7 | 20.2 | 18 | -1917 | 19 |
| 22.7 | 19.2 | 17 | -1817 | 18 |
| 21.7 | 18.2 | 16 | -1717 | 17 |
| 20.7 | 17.2 | 15 | -1617 | 16 |
| 19.7 | 16.2 | 14 | -1517 | 15 |
| 18.7 | 15.2 | 13 | -1417 | 14 |
| 17.7 | 14.2 | 12 | -1317 | 13 |
| 16.7 | 13.2 | 11 | -1217 | 12 |
| 15.7 | 12.2 | 10 | -1117 | 11 |
| 14.7 | 11.2 | 9 | -1017 | 10 |
| 13.7 | 10.2 | 8 | -0917 | 9 |
| 12.7 | 9.2 | 7 | -0817 | 8 |
| 11.7 | 8.2 | 6 | -0717 | 7 |
| 10.7 | 7.2 | 5 | -0617 | 6 |
| 9.7 | 6.2 | 4 | -0517 | 5 |
| 8.7 | 5.2 | 3 | -0417 | 4 |
| 7.7 | 4.2 | 2 | 52207-0317 | 3 |

- 注記 NOTES**
- △ 接点部までの嵌合長さ。
LENGTH TO CONTACT POINT.
 - 使用材料 MATERIAL
ハウジング : 46ナイロン (耐熱性), UL94V-0
アクチュエータ : PPS, UL94V-0
ターミナル : リン青銅, 半田メッキ (t=0.32)
金具 : 銅合金, 半田メッキ (t=0.25)
 - △ パターンはくり止め用金具
FITTING NAIL FOR PREVENTION OF PEELING OF P.C.B.PATTERN.

- エンボステープ梱包時は、アクチュエータがロックした状態とする。
IN THE PACKAGE, ACTUATOR OF PART NO. 52207-**-17 SHOULD BE LOCKED.
- △ ケーブル挿入深さ
INSERTION DEPTH OF CABLE.
- △ パターン書き込み禁止エリア。
NO FOOT PRINT AREA.

| | | | | | | | | | | | | | |
|--|----------------------------------|----------------------------------|----------------------------------|----------------------------------|---|---|---|--|---------------------------|--|-----------------------------|-------------------------------|---------------------|
| EC NO. DRWN: CHK: APPR: | EC NO. DRWN: CHK: APPR: | EC NO. DRWN: CHK: APPR: | EC NO. DRWN: CHK: APPR: | EC NO. DRWN: CHK: APPR: | REDESCRIPTION REDRAWN EC NO. J2004-0390 DRWN: K. TOJO CHK: H. Saito APPR: H. Saito | MATERIAL 材料 // FINISH 仕上げ // WIRE RANGE 適用電線範囲 // INS. RANGE 被覆外径 // | GENERAL TOLERANCES: (UNLESS SPECIFIED) 一般公差 10 UNDER 未満 ±0.2 10 OVER 30 UNDER 未満 ±0.25 30 OVER 以上 ±0.3 ANGLE 角度 ±3° | SCALE // DESIGN UNITS mm □ inch | THIRD ANGLE PROJECTION | TITLE: 1.0mm Pitch FPC Conn ZIF SMT | MATERIAL NO. 52207-**-17 | DRAWING NO. SD-52207-**-17 | SHEET NO. 1 OF 2 |
| THIS DRAWING CONTAINS INFORMATION THAT IS PROPRIETARY TO MOLEX INCORPORATED AND SHOULD NOT BE USED WITHOUT WRITTEN PERMISSION. | | | | | | | | | | MOLEX MOLEX INCORPORATED | | SIZE B | |

DWG. NO.
SD-52207-**-17

8 7 6 5 4 3 2 1

F

D

V

C

B

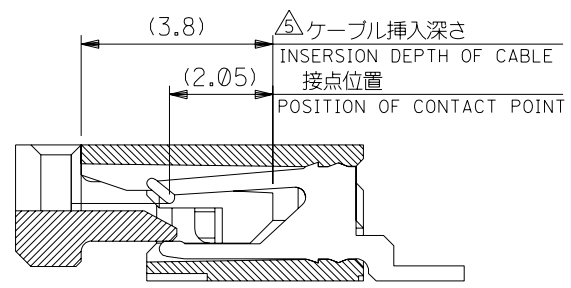
F

E

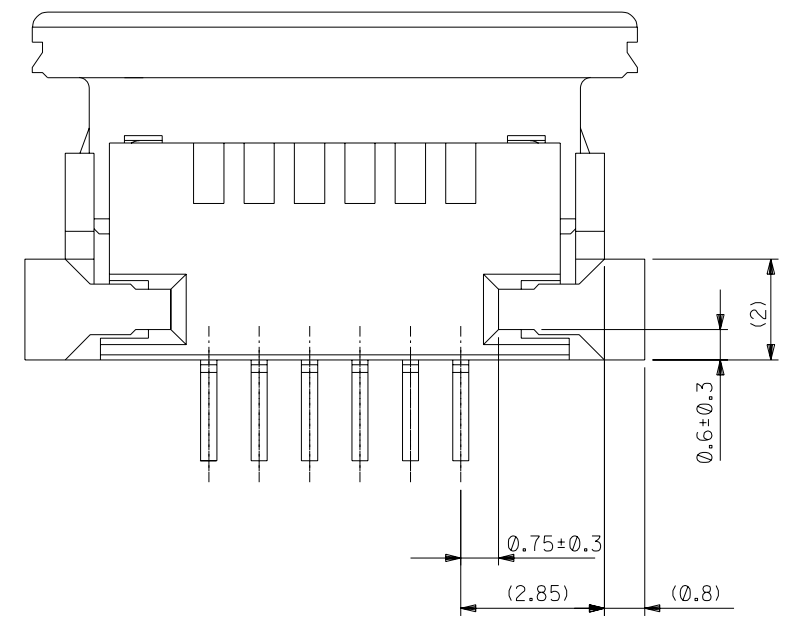
D

C

B



断面D-D
SECT.D-D



下面図
BOTTOM VIEW

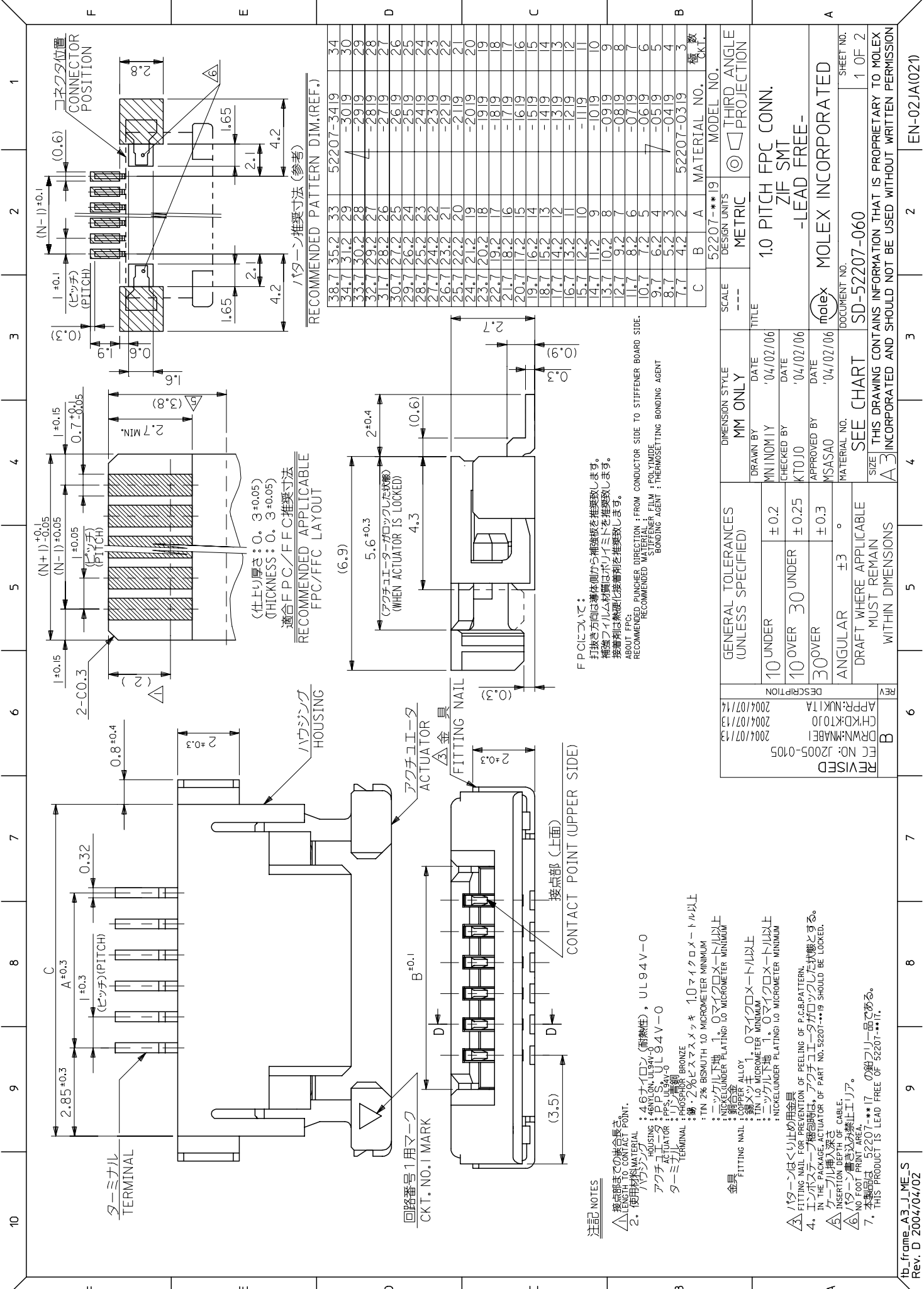
DO NOT SCALE DRAWING

| | | | | | | | | | | | | |
|----------------------------------|----------------------------------|----------------------------------|----------------------------------|---|----------------------|-------------------|---|-------------|--|--|--|-------------------------------|
| EC NO. DRWN: CHK: APPR: | EC NO. DRWN: CHK: APPR: | EC NO. DRWN: CHK: APPR: | EC NO. DRWN: CHK: APPR: | REDRAWN EC NO. J2004-0390 DRWN: K. TOJO 03/08/19 CHK: H. Sasaki 03/08/19 APPR: H. Sasaki 03/08/19 | MATERIAL 材料 | 注記参照 SEE NOTES | GENERAL TOLERANCES: (UNLESS SPECIFIED) 一般公差 | SCALE // | DESIGN UNITS <input checked="" type="checkbox"/> mm <input type="checkbox"/> INCH | THIRD ANGLE PROJECTION <input type="checkbox"/> mm <input type="checkbox"/> INCH <input checked="" type="checkbox"/> mm ONLY | SHT | REV |
| | | | | | FINISH 仕上げ | | | | | | 10 UNDER 未満 | ±0.2 |
| | | | | | WIRE RANGE 適用電線範囲 | // | 10 OVER 30 UNDER 以上 未満 | ±0.25 | CHECKED BY & DATE H. Sasaki 03/08/19 | MOLEX MOLEX INCORPORATED | | |
| | | | | | INS. RANGE 被覆外径 | // | 30 OVER 以上 | ±0.3 | APPROVED BY & DATE H. Sasaki 03/08/19 | | MATERIAL NO. 52207-**-17 | DRAWING NO. SD-52207-**-17 |
| 8 | 7 | 6 | 5 | 4 | 3 | 2 | CAD FILENAME 52207.S09 | | EN-02J(097) MXJ-54 | | THIS DRAWING CONTAINS INFORMATION THAT IS PROPRIETARY TO MOLEX INCORPORATED AND SHOULD NOT BE USED WITHOUT WRITTEN PERMISSION. | |

A

SIZE
B

52207.509



注記 NOTES

- △ 接続部での接合長さ
LENGTH OF CONTACT POINT.
- 2. 使用材料の材質
MATERIAL
- アクチュエータ
ACTUATOR : PPS, UL94V-0
- ターミナル
TERMINAL : PHOSPHOR BRONZE
- ※ 2.06ピタマスキ 1.0マイクrometer以上
- ※ TIN 2% BISMUTH 1.0 MICROMETER MINIMUM
- ※ 銅メッキ 1.0マイクrometer以上
- ※ 銅合金
- FITTING NAIL : COPPER ALLOY
- 金具
FITTING NAIL : COPPER ALLOY
- ※ 銅メッキ 1.0マイクrometer以上
- ※ TIN 1.0 MICROMETER MINIMUM
- ※ ニッケルメッキ 1.0マイクrometer以上
- ※ NICKEL UNDER PLATING 1.0 MICROMETER MINIMUM
- △ バターンはくくり止め用金具
FITTING NAIL FOR PREVENTION OF PEELING OF P.C.B. PATTERN.
- 4. エンボスター用樹脂は、アクチュエータがロックした状態とする。
IN THE PACKAGE, ACTUATOR OF PART NO. 52207-***19 SHOULD BE LOCKED.
- △ ケーブル挿入深さ
INSERTION DEPTH OF CABLE.
- △ バターン幅さびの禁止エリア
NO FOOT PRINT AREA.
- 7. 本製品は、52207-***17 の銅フリー品である。
THIS PRODUCT IS LEAD FREE OF 52207-***17.

FPCについて:

打抜き方向は導体側から補強板を推奨します。
補強フィルム材質はポリイミドを推奨します。
接着剤は熱硬化接着剤を推奨します。

ABOUT FPC:
RECOMMENDED PUNCH DIRECTION : FROM CONDUCTOR SIDE TO STIFFENER BOARD SIDE.
RECOMMENDED MATERIAL : POLYIMIDE
BONDING AGENT : THERMOSETTING BONDING AGENT

RECOMMENDED APPLICABLE FPC/FFC LAYOUT

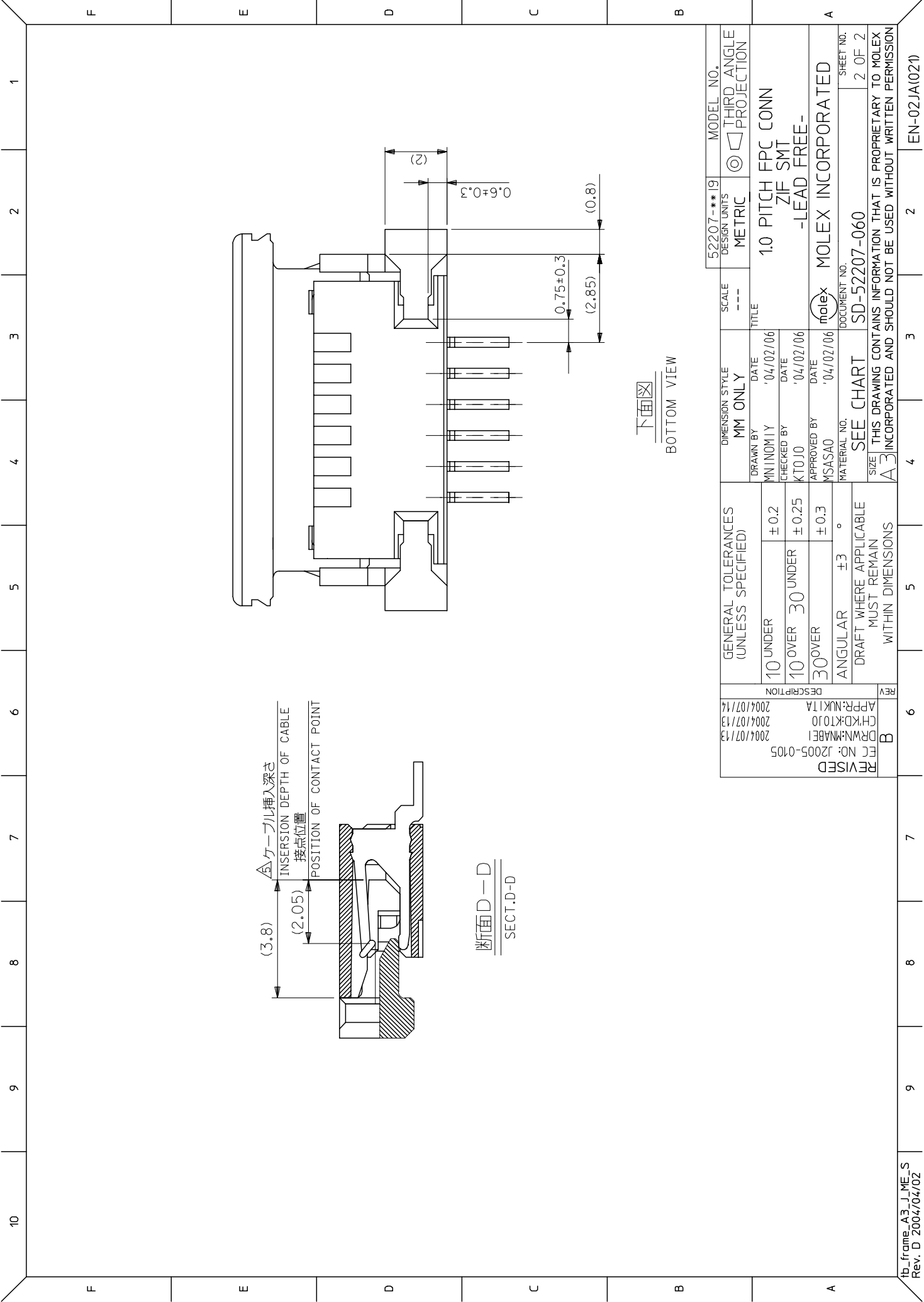
(仕上り厚さ : 0.3±0.05)
(THICKNESS : 0.3±0.05)
適合FPC/FFC推奨寸法

1/ターン推奨寸法 (参考)

| 材料 | 寸法 | 52207-***19 | 52207-3419 |
|----|------|-------------|------------------------|
| C | 38.7 | 35.2 | 33 |
| B | 34.7 | 31.2 | 29 |
| | 33.7 | 30.2 | 28 |
| | 32.7 | 29.2 | 27 |
| | 31.7 | 28.2 | 26 |
| | 30.7 | 27.2 | 25 |
| | 29.7 | 26.2 | 24 |
| | 28.7 | 25.2 | 23 |
| | 27.7 | 24.2 | 22 |
| | 26.7 | 23.2 | 21 |
| | 25.7 | 22.2 | 20 |
| | 24.7 | 21.2 | 19 |
| | 23.7 | 20.2 | 18 |
| | 22.7 | 19.2 | 17 |
| | 21.7 | 18.2 | 16 |
| | 20.7 | 17.2 | 15 |
| | 19.7 | 16.2 | 14 |
| | 18.7 | 15.2 | 13 |
| | 17.7 | 14.2 | 12 |
| | 16.7 | 13.2 | 11 |
| | 15.7 | 12.2 | 10 |
| | 14.7 | 11.2 | 9 |
| | 13.7 | 10.2 | 8 |
| | 12.7 | 9.2 | 7 |
| | 11.7 | 8.2 | 6 |
| | 10.7 | 7.2 | 5 |
| | 9.7 | 6.2 | 4 |
| | 8.7 | 5.2 | 3 |
| | 7.7 | 4.2 | 2 |
| C | B | A | 材料 No. |
| | | | 52207-***19 |
| | | | MODEL NO. |
| | | | SCALE |
| | | | DESIGN UNITS |
| | | | METRIC |
| | | | THIRD ANGLE PROJECTION |

| GENERAL TOLERANCES (UNLESS SPECIFIED) | | DIMENSION STYLE | |
|---|-------|--------------------|--------------|
| 10 UNDER | ±0.2 | MM ONLY | --- |
| 10 OVER | ±0.25 | DATE | '04/02/06 |
| 30 OVER | ±0.3 | CHECKED BY | KITOJO |
| ANGULAR | ±3° | APPROVED BY | MSASAO |
| DRAFT WHERE APPLICABLE MUST REMAIN WITHIN DIMENSIONS | | MATERIAL NO. | '04/02/06 |
| SEE CHART | | DOCUMENT NO. | SD-52207-060 |
| SIZE INCORPORATED AND SHOULD NOT BE USED WITHOUT WRITTEN PERMISSION | | MOLEX INCORPORATED | |
| A3 INCORPORATED AND SHOULD NOT BE USED WITHOUT WRITTEN PERMISSION | | SHEET NO. 1 OF 2 | |

| REV | DESCRIPTION |
|-----|--------------------------|
| B | REVISED EC NO: 5205-0105 |
| | DRWN: MNABE |
| | CHKD: KTOJO |
| | APP: NUKITA |
| | 2004/07/13 |
| | 2004/07/14 |



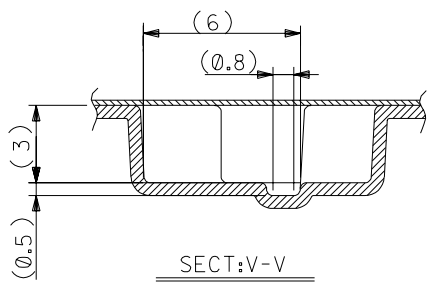
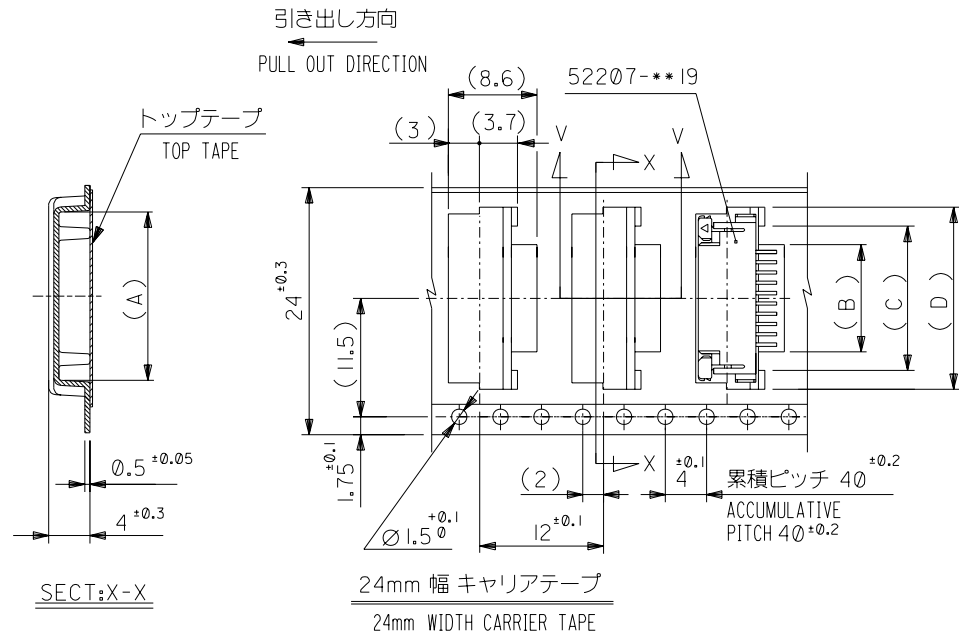
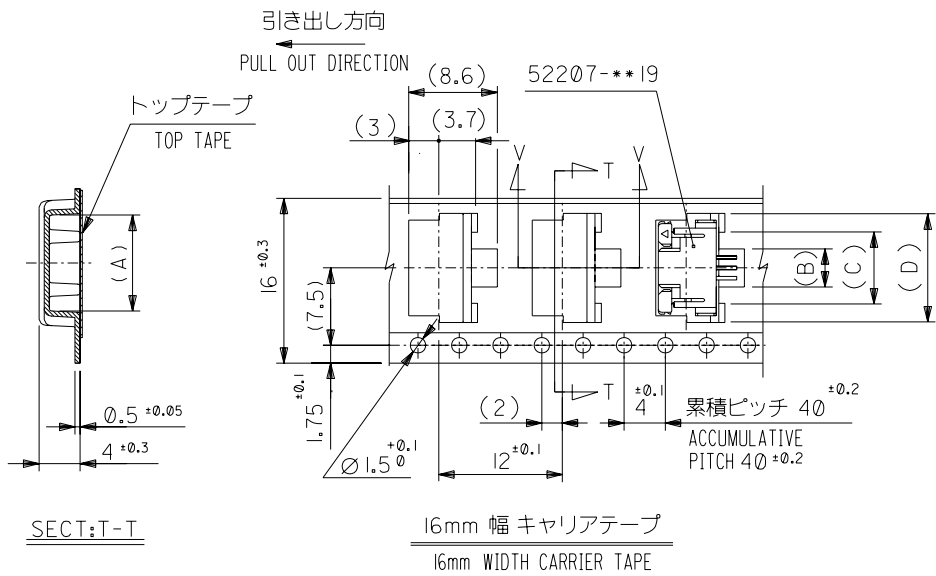
△ケーブル挿入深さ
 INSERTION DEPTH OF CABLE
 接点位置
 POSITION OF CONTACT POINT

断面D—D
 SECT. D-D

下面
 BOTTOM VIEW

| | | | | | | |
|--|----------|--|-------------------|---|------------------------|---------------------------|
| GENERAL TOLERANCES (UNLESS SPECIFIED) | | DIMENSION STYLE MM ONLY | SCALE --- | MODEL NO. 52207-**-19 | DESIGN UNITS METRIC | THIRD ANGLE PROJECTION |
| 10 UNDER | ±0.2 | DRAWN BY M/NOMIY | DATE '04/02/06 | TITLE 1.0 PITCH FPC CONN ZIF SMT -LEAD FREE- | | |
| 10 OVER | 30 UNDER | CHECKED BY KITOJO | DATE '04/02/06 | DOCUMENT NO. MOLEX INCORPORATED | | |
| 30 OVER | ±0.3 | APPROVED BY MSASAO | DATE '04/02/06 | SHEET NO. 2 OF 2 | | |
| ANGULAR | ±3 ° | MATERIAL NO. | SEE CHART | SD-52207-060 | | |
| DRAFT WHERE APPLICABLE MUST REMAIN WITHIN DIMENSIONS | | SIZE THIS DRAWING CONTAINS INFORMATION THAT IS PROPRIETARY TO MOLEX A3 INCORPORATED AND SHOULD NOT BE USED WITHOUT WRITTEN PERMISSION | | | | |
| REVISION | | REV | | | | |
| EC NO: J2005-0105 | | DESCRIPTION | | | | |
| DRW:NNABE1 | | APP:NUK1TA | | | | |
| 2004/07/13 | | 2004/07/13 | | | | |
| CHKD:KITOJO | | 2004/07/14 | | | | |
| 2004/07/13 | | 2004/07/14 | | | | |
| REVISED | | REV | | | | |
| B | | 6 | | | | |
| 7 | | 7 | | | | |
| 8 | | 8 | | | | |
| 9 | | 9 | | | | |
| 10 | | 10 | | | | |
| F | | F | | | | |
| E | | E | | | | |
| D | | D | | | | |
| C | | C | | | | |
| B | | B | | | | |
| A | | A | | | | |

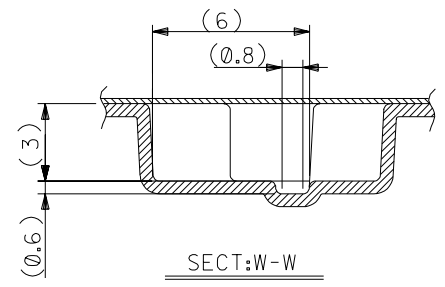
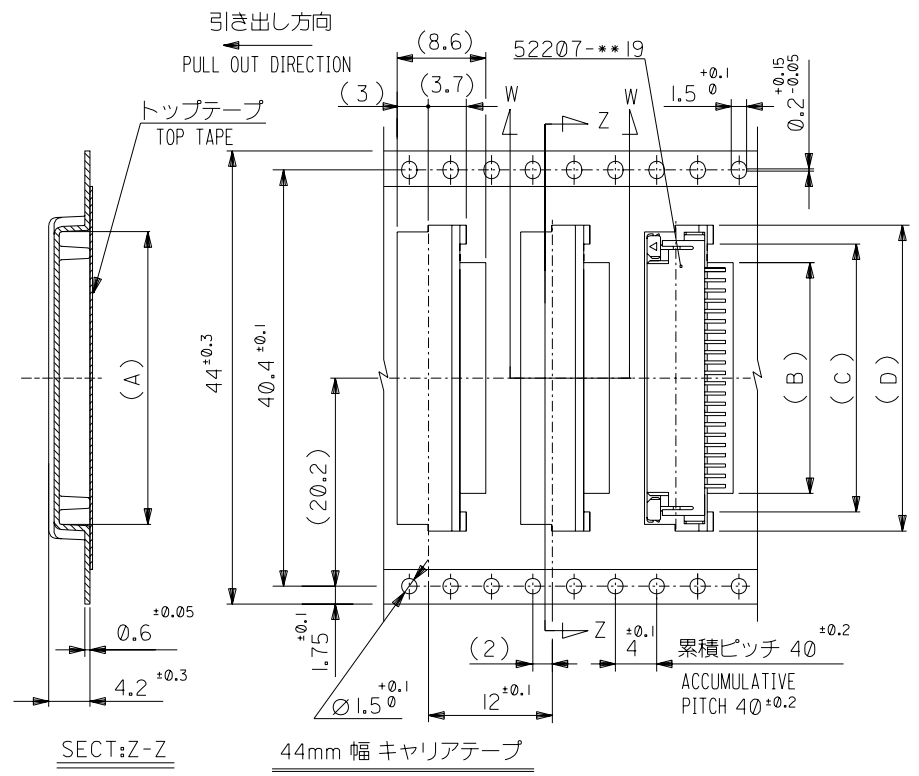
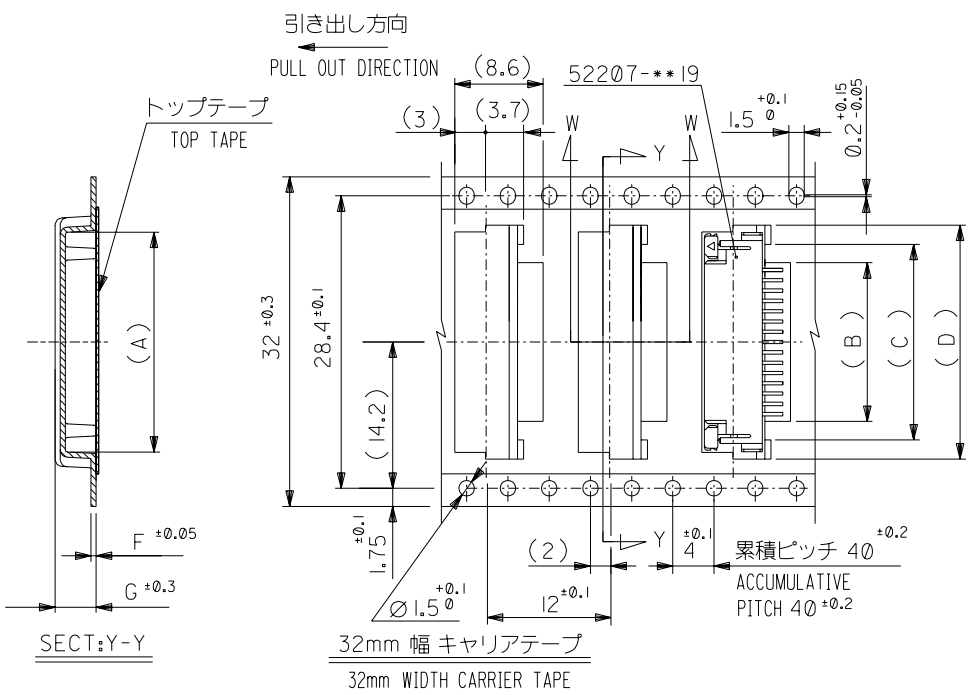
DWG. NO. SD-52207-061



| | | | | | | | | |
|--------------------------------|------|------|------|-------|------|------|--------------|------------|
| 24 | 29.4 | 25.4 | 18.5 | 15 | 11.7 | 17.3 | 52207-1185 | 11 |
| | | | 17.5 | 14 | 10.7 | 16.3 | -1085 | 10 |
| | | | 16.5 | 13 | 9.7 | 15.3 | -0985 | 9 |
| | | | 15.5 | 12 | 8.7 | 14.3 | -0885 | 8 |
| | | | 14.5 | 11 | 7.7 | 13.3 | -0785 | 7 |
| | | | 13.5 | 10 | 6.7 | 12.3 | -0685 | 6 |
| | | | 12.5 | 9 | 5.7 | 11.3 | -0585 | 5 |
| 11.5 | 8 | 4.7 | 10.3 | -0485 | 4 | | | |
| 16 | 21.4 | 17.4 | 10.5 | 7 | 3.7 | 9.3 | 52207-0385 | 3 |
| キャリアテープ幅 CARRIER TAPE WIDTH | H | E | (D) | (C) | (B) | (A) | MATERIAL NO. | 極数 CKT. |

| | | | | | | | |
|----------------------------|--|----------------|--|---|--|---|--|
| 52207-***85 MODEL NO. | | 材料 MATERIAL | | 注記参照 SEE NOTES | | molex MOLEX-JAPAN CO.,LTD. 日本モレックス株式会社 | |
| 角度 ANGLE | | 仕上げ FINISH | | 適用電線範囲 WIRE RANGE | | REVISE ONLY ON CAD SYSTEM | |
| 30以上 OVER | | — | | — | | TITLE 名称 | |
| 10以上 30未満 OVER UNDER | | — | | — | | 1.0 FPC Conn ZIF SMT | |
| 未 満 | | — | | — | | Embstp Pkg | |
| 10 UNDER | | — | | — | | -LEAD FREE- | |
| 一般公差 GENERAL TOLERANCES | | 記号 LTR | | 変更内容 REVISION RECORD | | DWG. NO. SD-52207-061 (SHEET 1 OF 3) | |
| ±0.3 | | 0 | | A 変更 (J2004-2720) M.N. K.T. 04/02/27 | | REV A | |
| ±0.25 | | 0 | | A 新規作成 RELEASED (J2004-2323) M.N. K.T. 04/02/06 | | SCALE — | |
| ±0.2 | | 0 | | DR. 日付 CHK. DATE | | M.SASAO | |

DWG. NO. SD-52207-061



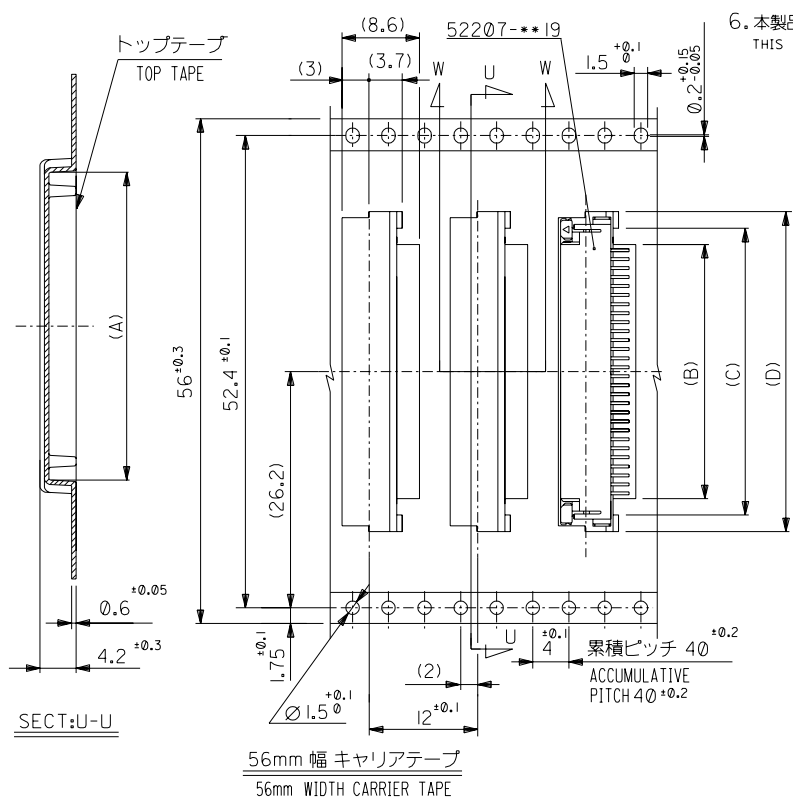
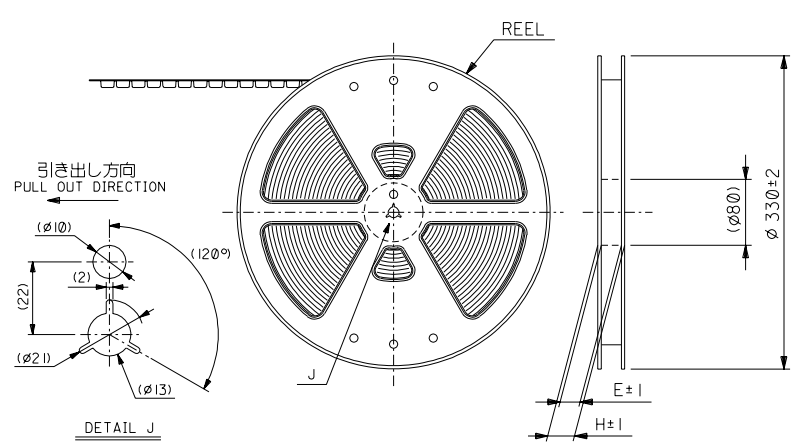
| | | | | | | | | | | | |
|--------------------------------|------|------|-----|-----|------|-----|------|-------|--------------|------------|----|
| 32 | 37.4 | 33.4 | 4.0 | 0.5 | 23.5 | 20 | 16.7 | 22.35 | 52207-1685 | 16 | |
| | | | 4.2 | 0.6 | 22.5 | 19 | 15.7 | 21.35 | 4 | -1585 | 15 |
| | | | 4.2 | 0.6 | 21.5 | 18 | 14.7 | 20.35 | | -1485 | 14 |
| | | | 4.2 | 0.6 | 20.5 | 17 | 13.7 | 19.35 | 7 | -1385 | 13 |
| | | | 4.2 | 0.6 | 19.5 | 16 | 12.7 | 18.35 | | 52207-1285 | 12 |
| キャリアテープ幅 CARRIER TAPE WIDTH | H | E | (G) | (F) | (D) | (C) | (B) | (A) | MATERIAL NO. | 極数 CKT. | |

| | | | | | | | | | |
|--------------------------------|------|------|-------|------------|------|-------|--------------|------------|----|
| 44 | 49.4 | 45.4 | 34.5 | 31 | 27.7 | 33.35 | 52207-2785 | 27 | |
| | | | 33.5 | 30 | 26.7 | 32.35 | 4 | -2685 | 26 |
| | | | 32.5 | 29 | 25.7 | 31.35 | | -2585 | 25 |
| | | | 31.5 | 28 | 24.7 | 30.35 | | -2485 | 24 |
| | | | 30.5 | 27 | 23.7 | 29.35 | | -2385 | 23 |
| | | | 29.5 | 26 | 22.7 | 28.35 | | -2285 | 22 |
| | | | 28.5 | 25 | 21.7 | 27.35 | | -2185 | 21 |
| | | | 27.5 | 24 | 20.7 | 26.35 | | -2085 | 20 |
| | | | 26.5 | 23 | 19.7 | 25.35 | | -1985 | 19 |
| | | | 25.5 | 22 | 18.7 | 24.35 | 7 | -1885 | 18 |
| 24.5 | 21 | 17.7 | 23.35 | 52207-1785 | 17 | | | | |
| キャリアテープ幅 CARRIER TAPE WIDTH | H | E | (D) | (C) | (B) | (A) | MATERIAL NO. | 極数 CKT. | |

| | | | |
|----------------------------|-------------------------|--------------------|-------------|
| 52207-***85 | | MODEL NO. | |
| 角度 ANGLE | ±3° | | |
| 30以上 OVER | ±0.5 | | |
| 10以上 OVER 30 UNDER | ±0.25 | | |
| 未滿 UNDER | ±0.2 | | |
| 一般公差 GENERAL TOLERANCES | | | |
| 記号 LTR | 変更内容 REVISION RECORD | 日付 DATE | 尺度 SCALE |
| A | 変更 (J2004-2720) | M.N. K.T. 04/02/27 | |
| 0 | 新規作成 (J2004-2323) | M.N. K.T. 04/02/06 | |
| | | DR. CHK. DATE | |

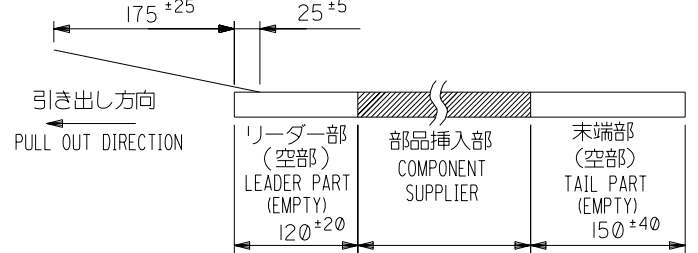
| | |
|----------------------|-------------------|
| 材料 MATERIAL | 注記参照 SEE NOTES |
| 仕上げ FINISH | — |
| 適用電線範囲 WIRE RANGE | — |
| 被覆外径 INS. RANGE | — |
| DRAWN BY 04/02/06 | CHK'D BY 04/02/06 |
| M.NINOMIYA | K.TOJO |
| APP'D BY 04/02/06 | 尺度 SCALE |
| M.SASAO | — |

| | |
|--|-----|
| molex MOLEX-JAPAN CO.,LTD. 日本モレックス株式会社 | |
| REVISE ONLY ON CAD SYSTEM | |
| TITLE 名称 I.0 FPC Conn ZIF SMT Embstp Pkg | |
| -LEAD FREE- | |
| DWG. NO. | REV |
| SD-52207-061 | A |
| (SHEET 2 OF 3) | |

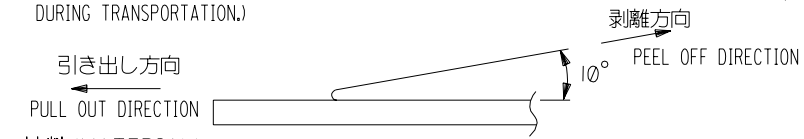


注記

- 製品番号 52207-***19 の梱包状態はアクチュエータがロックした状態とする。詳細寸法については図面 SD-52207-060 を参照下さい。
IN THE PACKAGE, ACTUATOR OF PART NO. 52207-***19 SHOULD BE LOCKED RE DETAILED DIMENSIONS, SEE SD-52207-060
- 梱包数量：1000個/リール
NUMBER OF CONNECTORS : 1000PCS/REEL
- リードテープ長さ(LEAD TAPE LENGTH)
トップテープ TOP TAPE
リーダー部 LEADER PART
部品挿入部 COMPONENT SUPPLIER
未接着部 NON-BONDED PART



- トップテープの剥離強度：(剥離方向は下図参照)
0.1N ~ 1.3N(10gf ~ 130gf)MAX.尚、本規格値は、出荷時に適用。
(但し、輸送時に剥離が発生しない事。)
PEELING OFF FORCE OF TOP TAPE : 0.1N ~ 1.3N(10gf ~ 130gf) MAX.
(PEELING DIRECTION AS SHOWN IN FOLLOWING FIG.)
THIS REQUIREMENT SHOULD BE APPLIED AT SHIPMENT. (PEEL OFF SHOULD NOT BE ALLOWED, DURING TRANSPORTATION.)



- 材料 (MATERIAL)
キャリアテープ (CARRIER TAPE) : ポリプロピレン (POLYPROPYLENE)
トップテープ (TOP TAPE) : PET, PE, PEF
リール (REEL) : ポリスチレン (PS) <リサイクル材を含む>
POLYSTYRENE (PS) <RECYCLE MATERIAL CONTAINED>

| | | | | | | | | | |
|--------------------------------|------|------|------|-----|------|-------|------------|--------------|------------|
| 56 | 61.4 | 57.4 | 41.5 | 38 | 34.7 | 40.35 | 52207-3485 | 34 | |
| | | | 37.5 | 34 | 30.7 | 36.35 | 52207-3085 | 30 | |
| | | | 36.5 | 33 | 29.7 | 35.35 | 52207-2985 | 29 | |
| | | | 35.5 | 32 | 28.7 | 34.35 | 52207-2885 | 28 | |
| キャリアテープ幅 CARRIER TAPE WIDTH | | H | E | (D) | (C) | (B) | (A) | MATERIAL NO. | 極数 CKT. |

| | | | | | | | |
|----------------------------|--|----------------|--|-------------------------|--|--|--|
| 52207-***85 MODEL NO. | | 材料 MATERIAL | | 注記参照 SEE NOTES | | molex MOLEX-JAPAN CO.,LTD. 日本モレックス株式会社 | |
| 角度 ANGLE | | 仕上げ FINISH | | 適用電線範囲 WIRE RANGE | | REVISE ONLY ON CAD SYSTEM | |
| 30以上 OVER | | — | | — | | TITLE 名称 I.0 FPC Conn ZIF SMT Embstp Pkg | |
| 10以上 OVER | | — | | — | | —LEAD FREE- | |
| 未満 UNDER | | — | | — | | — | |
| 未満 UNDER | | — | | — | | — | |
| 一般公差 GENERAL TOLERANCES | | 記号 LTR | | 変更内容 REVISION RECORD | | DWG. NO. SD-52207-061 (SHEET 3 OF 3) | |
| | | A | | M.N.K. | | REV A | |
| | | 0 | | M.N.K. | | | |
| | | DR. CHK. | | 日付 DATE | | APP'D BY '04/02/06 M.SASAO | |
| | | | | | | 尺度 SCALE | |
| | | | | | | — | |