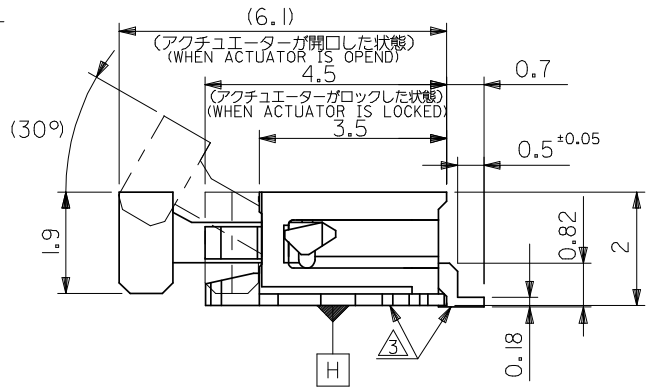
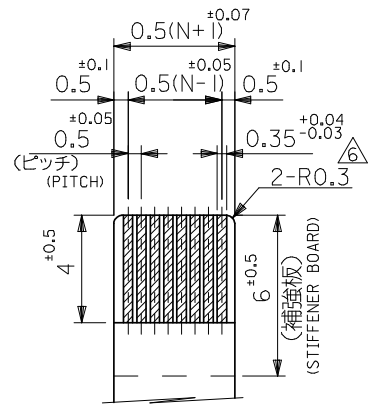


NOTES

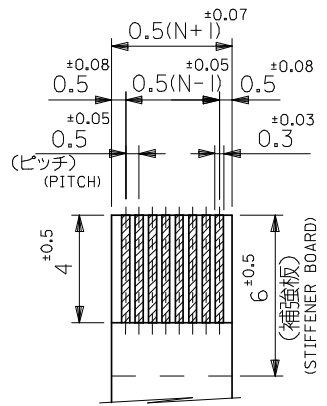
- 使用材料 : MATERIAL
 ハウジング HOUSING : 46ナイロン, UL94V-0 46NYLON
 アクチュエータ ACTUATOR : PPS, UL94V-0
 ターミナル TERMINAL : リン青銅 (t=0.2) PHOSPHOR BRONZE
 : 銅ビスマスマッキ 1.0マイクロメートル以上 TIN-BISMUTH 1.0 MICROMETER MINIMUM
 : ニッケル下地 1.0マイクロメートル以上 NICKEL(UNDER PLATING) 1.0 MICROMETER MINIMUM
 金具 FITTING NAIL : リン青銅 (t=0.2) PHOSPHOR BRONZE
 : 鍍メッキ 1.0マイクロメートル以上 TIN 1.0 MICROMETER MINIMUM
 : ニッケル下地 1.0マイクロメートル以上 NICKEL(UNDER PLATING) 1.0 MICROMETER MINIMUM
- エンボスステップ梱包時は、アクチュエータがロックした状態とする。
 IN THE PACKAGE,ACTUATOR OF PART NO.52437-***26 SHOULD BE LOCKED.
- △ソルダータール半田付け面のスレ量、及び金具半田付け面のスレ量は、基準面 H に対し上方向 0.1MAX.、下方向 0.15MAX.とする。
 MISALIGNMENT OF SOLDER TAILS AND FITTING NAILS FROM H UPPER DIRECTION: 0.1 MAX., LOWER DIRECTION: 0.15MAX.
- △偶数極に適用。
 APPLY FOR EVEN CIRCUIT.
- △パターンはくり止め用金具。
 FITTING NAIL FOR PREVENTION OF PEELING OF P.C.B. PATTERN.
- △RO.3は、FPCの導体部にかからないこと。
 RO.3 MUST NOT BE OVERLAPPED TO PATTERN OF FPC.
- 本製品は 52437-***27の鉛フリー品である。
 THIS PRODUCT IS LEAD FREE OF 52437-***27.
- ソルダータールの平坦度は、0.1 MAXIMUMとする。
 SOLDER TAIL COPLANARITY IS 0.1 MAXIMUM.



REVISED EC NO: J2008-4048 DRWN:WABEI 2008/06/13 CHKD:THARUYAMA 2008/06/16 APPR:NUKITA 2008/06/16	GENERAL TOLERANCES (UNLESS SPECIFIED)		DIMENSION STYLE MM ONLY		SCALE ---	52437-***26	MODEL NO.
	10 UNDER	±0.2	DRAWN BY YSAKIYAM	DATE '04/01/08	TITLE 0.5 FPC CONN ZIF SMT RA BOTTOM CONTACT -LEAD FREE-	DESIGN UNITS METRIC	THIRD ANGLE PROJECTION
	10 OVER 30 UNDER	±0.25	CHECKED BY MSASAO	DATE '04/01/08	MOLEX INCORPORATED	DOCUMENT NO. SD-52437-017	SHEET NO. 1 OF 2
	30 OVER	±0.3	APPROVED BY MSASAO	DATE '04/01/08			
	ANGULAR ±3 °		MATERIAL NO. SEE SHEET 2				
DRAFT WHERE APPLICABLE MUST REMAIN WITHIN DIMENSIONS		SIZE A3		THIS DRAWING CONTAINS INFORMATION THAT IS PROPRIETARY TO MOLEX INCORPORATED AND SHOULD NOT BE USED WITHOUT WRITTEN PERMISSION			



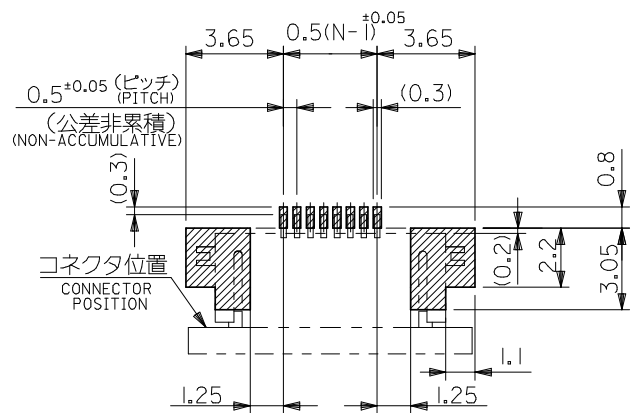
適合FPC推奨寸法
 APPLICABLE FPC
 RECOMMENDED DIMENSION.
 (仕上がり厚さ: 0.3 ± 0.05)
 (THICKNESS: 0.3 ± 0.05)



適合FFC推奨寸法
 APPLICABLE FFC
 RECOMMENDED DIMENSION.
 (仕上がり厚さ: 0.3 ± 0.05)
 (THICKNESS: 0.3 ± 0.05)

FPCについて:
 打抜き方向は導体側から補強板側を推奨致します。
 補強フィルム材質はポリイミドを推奨致します。
 接着剤は熱硬化接着剤を推奨致します。

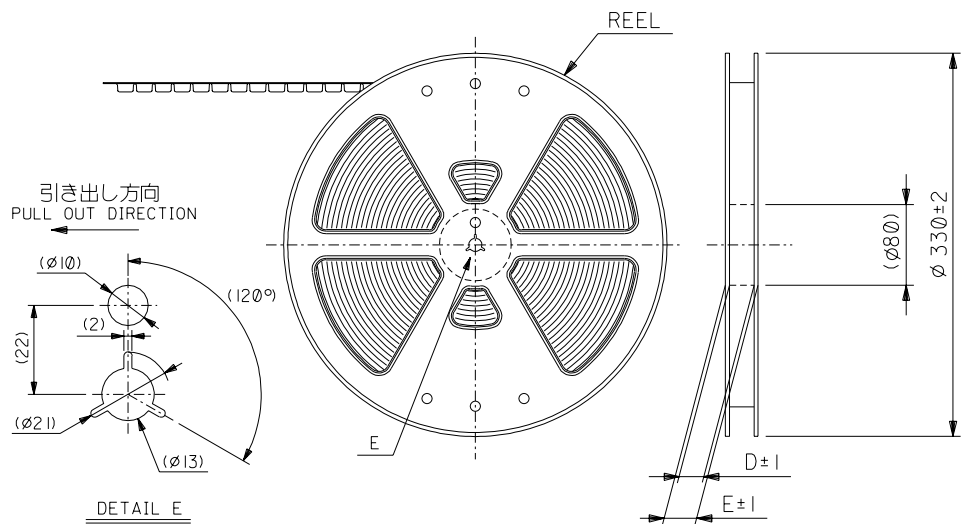
ABOUT FPC:
 RECOMMENDED PUNCHER DIRECTION :
 FROM CONDUCTOR SIDE TO STIFFENER BOARD SIDE.
 RECOMMENDED MATERIAL:
 STIFFENER FILM : POLYIMIDE
 BONDING AGENT : THERMOSETTING BONDING AGENT



参考基板レイアウト
 (マウント面)
 RECOMMENDED P.C.B. BOARD
 PATTERN DIMENSION (REF.)
 (MOUNTING SIDE)

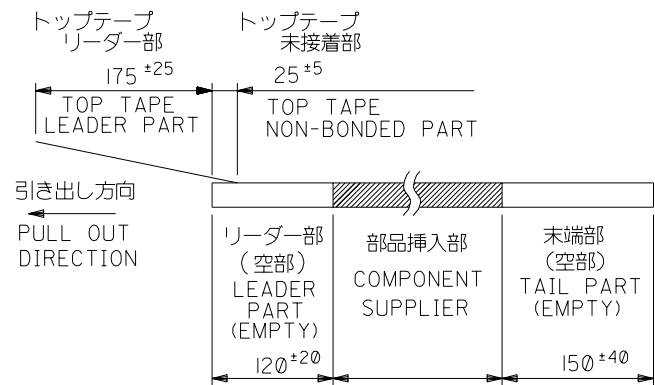
21.6	19.6	15.65	14.5	52437-3072	52437-3026	30
21.1	19.1	15.15	14.0	↑ -2972	↑ -2926	29
20.6	18.6	14.65	13.5	↑ -2872	↑ -2826	28
20.1	18.1	14.15	13.0	↑ -2772	↑ -2726	27
19.6	17.6	13.65	12.5	↑ -2672	↑ -2626	26
19.1	17.1	13.15	12.0	↑ -2572	↑ -2526	25
18.6	16.6	12.65	11.5	↑ -2472	↑ -2426	24
18.1	16.1	12.15	11.0	↑ -2372	↑ -2326	23
17.6	15.6	11.65	10.5	↑ -2272	↑ -2226	22
17.1	15.1	11.15	10.0	↑ -2172	↑ -2126	21
16.6	14.6	10.65	9.5	↑ -2072	↑ -2026	20
16.1	14.1	10.15	9.0	↑ -1972	↑ -1926	19
15.6	13.6	9.65	8.5	↑ -1872	↑ -1826	18
15.1	13.1	9.15	8.0	↑ -1772	↑ -1726	17
14.6	12.6	8.65	7.5	↑ -1672	↑ -1626	16
14.1	12.1	8.15	7.0	↑ -1572	↑ -1526	15
13.6	11.6	7.65	6.5	↑ -1472	↑ -1426	14
13.1	11.1	7.15	6.0	↑ -1372	↑ -1326	13
12.6	10.6	6.65	5.5	↑ -1272	↑ -1226	12
12.1	10.1	6.15	5.0	↑ -1172	↑ -1126	11
11.6	9.6	5.65	4.5	↑ -1072	↑ -1026	10
11.1	9.1	5.15	4.0	↑ -0972	↑ -0926	9
10.6	8.6	4.65	3.5	↑ -0872	↑ -0826	8
10.1	8.1	4.15	3.0	↑ -0772	↑ -0726	7
9.6	7.6	3.65	2.5	52437-0672	52437-0626	6
D	C	B	(A)	EMBOSSSED TAPE ORDER No. オーダー番号	MATERIAL NO.	極数 CMT.

REVISED EC NO: J2008-4048 2008/06/13 DRWN:MNABEI 2008/06/16 CHKD: APPR:NUKITA 2008/06/16	GENERAL TOLERANCES (UNLESS SPECIFIED)		DIMENSION STYLE MM ONLY		SCALE ---	DESIGN UNITS METRIC	THIRD ANGLE PROJECTION
	10 UNDER	±0.2	DRAWN BY YSAKIYAM	DATE '04/01/08	TITLE 0.5 FPC CONN ZIF SMT RA BOTTOM CONTACT -LEAD FREE-		
	10 OVER 30 UNDER	±0.25	CHECKED BY MSASAO	DATE '04/01/08	APPROVED BY MSASAO		
	30 OVER	±0.3	DATE '04/01/08		MOLEX INCORPORATED		
	ANGULAR ±3°		MATERIAL NO.		DOCUMENT NO. SD-52437-017	SHEET NO. 2 OF 2	
DRAFT WHERE APPLICABLE MUST REMAIN WITHIN DIMENSIONS		SEE TABLE			THIS DRAWING CONTAINS INFORMATION THAT IS PROPRIETARY TO MOLEX INCORPORATED AND SHOULD NOT BE USED WITHOUT WRITTEN PERMISSION		



注記 NOTES

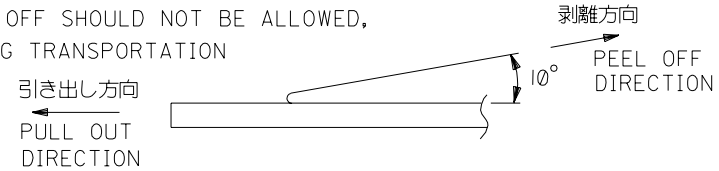
- 製品番号 52437-***26 の梱包状態はアクチュエータがロックした状態とする。
 詳細寸法については図面 SD-52437-017 を参照下さい。
 IN THE PACKAGE,ACTUATOR OF PART NO.52437-***26 SHOULD BE LOCKED RE DETAILED DIMENSIONS,SEE SD-52437-017.
- 梱包数量：1000個/リール
 NUMBER OF CONNECTORS:1000PCS/REEL
- リードテープ長さ LEAD TAPE LENGTH



5. 材料 (MATERIAL)
 キャリアテープ (CARRIER TAPE) : ポリプロピレン (POLYPROPYLENE)
 トップテープ (TOPTAPE) : PET, PE, PEF
 リール (REEL) : ポリスチレン (PS) <リサイクル材を含む>
 POLYSTYREN (PS) <RECYCLE MATERIAL CONTAINED>

6. 本製品は 52437-***91 の鉛フリー品である。
 THIS PRODUCT IS LEAD FREE OF 52437-***91.

4. トップテープの剥離強度：(剥離方向は下図参照)
 0.1N~1.3N {10gf~130gf}尚、本規格値は、出荷時に適用。
 (但し、輸送時に剥離が発生しない事。)
 PEELING OFF FORCE OF TOP TAPE
 0.1N ~1.3N(10gf ~130gf)(PEELING DIRECTION AS SHOWN IN FOLLOWING FIG.)
 THIS REQUIREMENT SHOULD BE APPLIED AT SHIPMENT
 PEEL OFF SHOULD NOT BE ALLOWED,
 DURING TRANSPORTATION

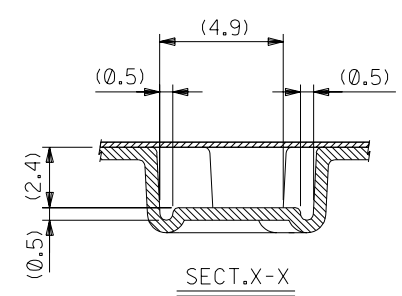
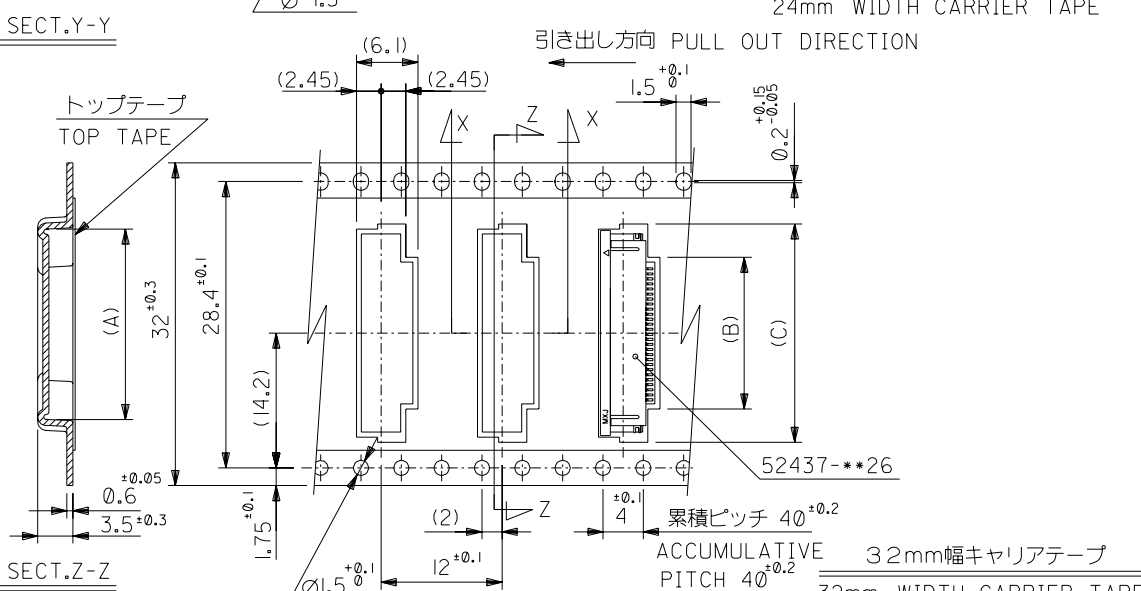
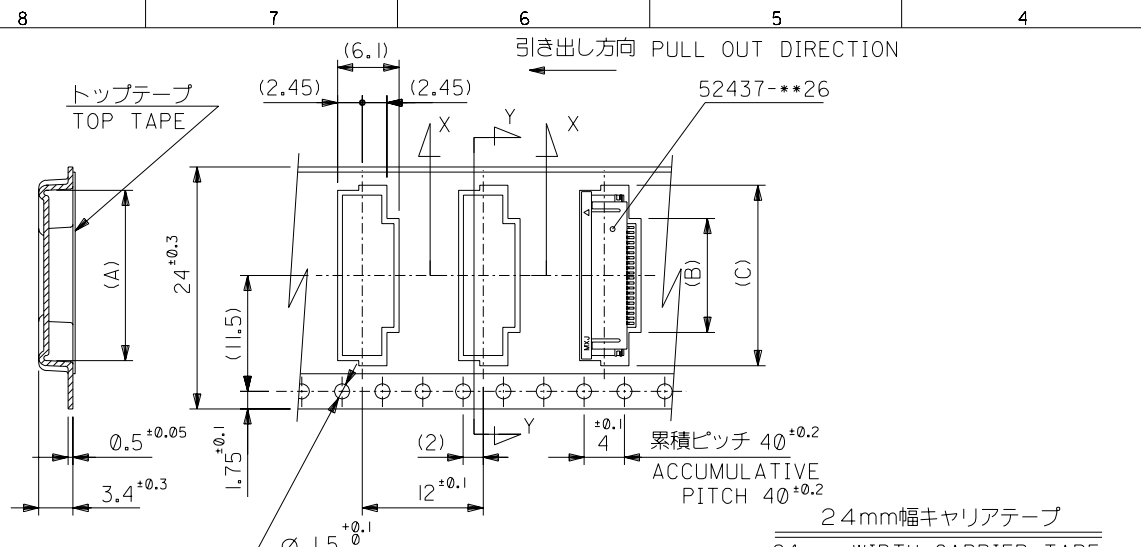


DO NOT SCALE DRAWING

EC NO. DRWN: CHK: APPR:	EC NO. DRWN: CHK: APPR:	EC NO. DRWN: CHK: APPR:	REVISED '04/02/09	MATERIAL 材料	GENERAL TOLERANCES: (UNLESS SPECIFIED) 一般公差	SCALE —//	DESIGN UNITS <input checked="" type="checkbox"/> mm <input type="checkbox"/> INCH	THIRD ANGLE PROJECTION	DIMENSIONS:		SHT	REV
			EC NO. J2004-2350 DRWN: N.AIDA CHK: K.TOJO APPR: M.SASAO						<input type="checkbox"/> mm <input type="checkbox"/> INCH <input checked="" type="checkbox"/> mm ONLY	REVISION ON CAD ONLY		
A	0	REV	RELEASED '04/01/08	FINISH 仕上げ	SEE NOTES	10 UNDER 未満	±0.2	DRAWN BY & DATE Y.SAKIYAMA '04/01/08	TITLE:			
			EC NO. J2004-1850 DRWN: Y.SAKIYAMA CHK: M.SASAO APPR: M.SASAO						30 UNDER 未満	±0.25	CHECKED BY & DATE M.SASAO '04/01/08	0.5 FPC Conn Assy ZIF SMT RA With Tape Embstp Pkg -LEAD FREE-
8	7	6	5	4	3	2	1	MOLEX	MOLEX INCORPORATED			
									30 OVER 以上	±0.3	APPROVED BY & DATE M.SASAO '04/01/08	MATERIAL NO.
								SD-52437-018.S01	52437-***72	SD-52437-018	1 OF 3	
THIS DRAWING CONTAINS INFORMATION THAT IS PROPRIETARY TO MOLEX INCORPORATED AND SHOULD NOT BE USED WITHOUT WRITTEN PERMISSION.												SIZE B

DO NOT SCALE DRAWING

DWG. NO.
SD-52437-018

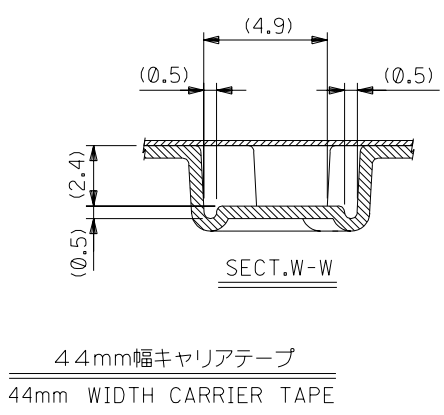
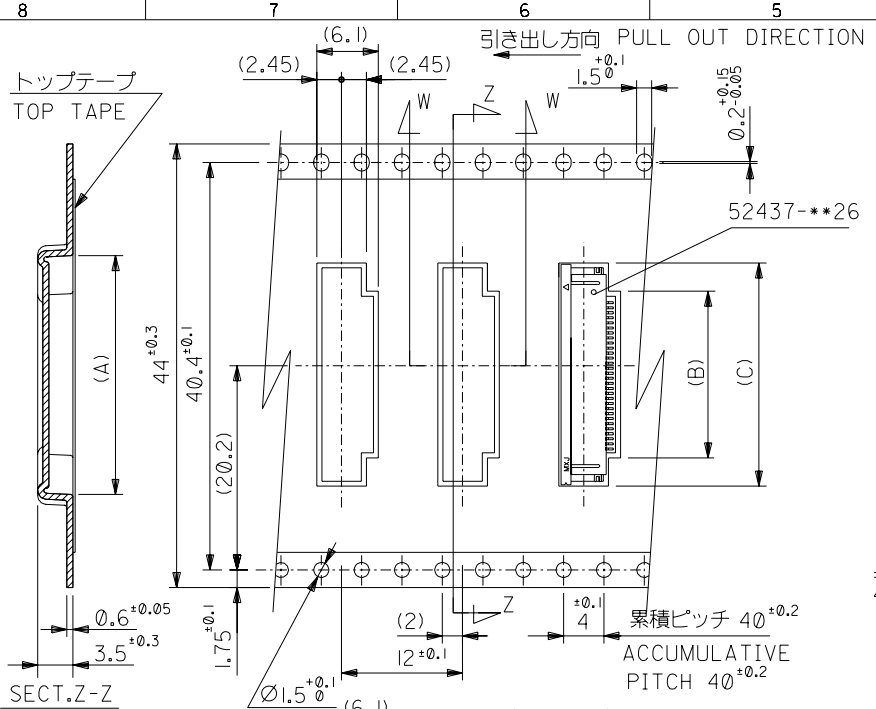


32	37.4	33.4	22.4	15.8	21.4	52437-2972	29
			21.9	15.3	20.9	-2872	28
			21.4	14.8	20.4	-2772	27
			20.9	14.3	19.9	-2672	26
			20.4	13.8	19.4	-2572	25
			19.9	13.3	18.9	-2472	24
			19.4	12.8	18.4	-2372	23
			18.9	12.3	17.9	-2272	22
			17.9	11.3	16.9	-2072	20
			17.4	10.8	16.4	-1972	19
24	29.4	25.4	16.9	10.3	15.9	-1872	18
			16.4	9.8	15.4	-1772	17
			15.9	9.3	14.9	-1672	16
			15.4	8.8	14.4	-1572	15
			14.9	8.3	13.9	-1472	14
			14.4	7.8	13.4	-1372	13
			13.9	7.3	12.9	-1272	12
			13.4	6.8	12.4	-1172	11
			12.9	6.3	11.9	-1072	10
			12.4	5.8	11.4	-0972	9
11.9	5.3	10.9	-0872	8			
11.4	4.8	10.4	-0772	7			
10.9	4.3	9.9	52437-0672	6			
キャリアテープ幅 CARRIER TAPE WIDTH	E	D	(C)	(B)	(A)	MATERIAL NO.	極数 CIRCUIT

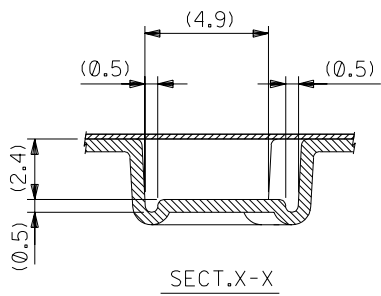
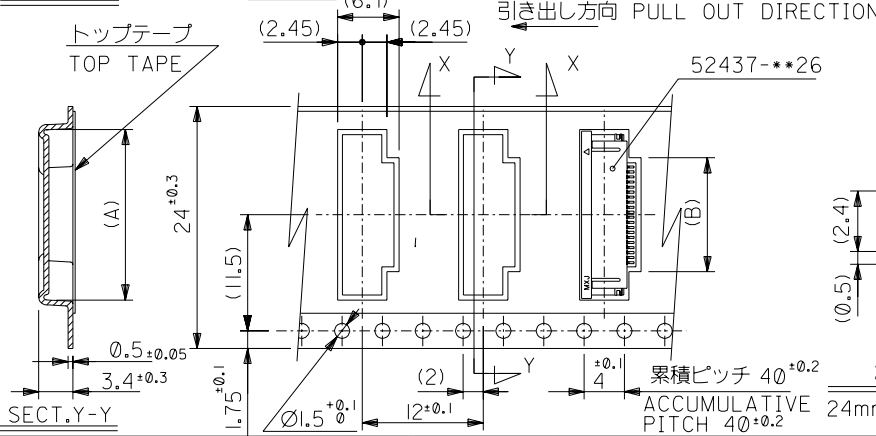
EC NO. DRWN: CHK: APPR:	EC NO. DRWN: CHK: APPR:	EC NO. DRWN: CHK: APPR:	REVISED '04/02/09 EC NO. J2004-2350 DRWN: N.AIDA CHK: K.TOJO APPR: M.SASAO	RELEASED '04/01/08 EC NO. J2004-1850 DRWN: Y.SAKIYAMA CHK: M.SASAO APPR: M.SASAO	DESCRIPTION A	0	MATERIAL 材料 SHEET 1 OF 3 参照 REFER TO SHEET 1 OF 3	GENERAL TOLERANCES: (UNLESS SPECIFIED) 一般公差	SCALE 1/1	DESIGN UNITS <input checked="" type="checkbox"/> mm <input type="checkbox"/> INCH	THIRD ANGLE PROJECTION <input checked="" type="checkbox"/> mm <input type="checkbox"/> INCH	SHT REV		
WIRE RANGE 適用線径範囲	INS. RANGE 被覆外径	ANGLE 角度	10 UNDER 未満	10 OVER 以上	30 UNDER 未満	30 OVER 以上	±0.2	±0.25	±0.3	±3°	DRAWN BY & DATE Y.SAKIYAMA '04/01/08	CHECKED BY & DATE M.SASAO '04/01/08	TITLE: 0.5 FPC Conn Assy ZIF SMT RA With Tape Embstp Pkg -LEAD FREE-	
											APPROVED BY & DATE M.SASAO '04/01/08	MATERIAL NO. 52437-***72	DRAWING NO. SD-52437-018	SHEET NO. 2 OF 3
THIS DRAWING CONTAINS INFORMATION THAT IS PROPRIETARY TO MOLEX INCORPORATED AND SHOULD NOT BE USED WITHOUT WRITTEN PERMISSION.											SIZE B			

DO NOT SCALE DRAWING

DWG. NO.
SD-52437-018



44	49.4	45.4	22.9	16.3	21.9	52437-3072	30
キャリアテープ幅 CARRIER TAPE WIDTH	E	D	(C)	(B)	(A)	MATERIAL NO.	極数 CIRCUIT



24	29.4	25.4	11.8	17.4	52437-2172	21
キャリアテープ幅 CARRIER TAPE WIDTH	E	D	(B)	(A)	MATERIAL NO.	極数 CIRCUIT

EC NO. DRWN: CHK: APPR:	EC NO. DRWN: CHK: APPR:	EC NO. DRWN: CHK: APPR:	REVISED '04/02/09 EC NO. J2004-2350 DRWN: N.AIDA CHK: K.TOJO APPR: M.SASAO	RELEASED '04/01/08 EC NO. J2004-1850 DRWN: Y.SAKIYAMA CHK: M.SASAO APPR: M.SASAO
A				

MATERIAL 材料	SHEET 1 OF 3 参照 REFER TO SHEET 1 OF 3	
FINISH 仕上げ	//	
WIRE RANGE 適用線径範囲	//	
INS. RANGE 被覆外径	//	

GENERAL TOLERANCES: (UNLESS SPECIFIED) 一般公差	SCALE 1/1	DESIGN UNITS <input checked="" type="checkbox"/> mm <input type="checkbox"/> INCH	
10 UNDER 未満	DRAWN BY & DATE Y.SAKIYAMA '04/01/08	THIRD ANGLE PROJECTION <input checked="" type="checkbox"/> mm <input type="checkbox"/> INCH	
10 OVER 30 UNDER 以上 未満			CHECKED BY & DATE M.SASAO '04/01/08
30 OVER 以上			APPROVED BY & DATE M.SASAO '04/01/08
ANGLE 角度	3°		

DIMENSIONS: SHT REVISIONS 一般公差		TITLE: 0.5 FPC Conn Assy ZIF SMT RA With Tape Embstp Pkg -LEAD FREE-	
MATERIAL NO. 52437-***72		DRAWING NO. SD-52437-018	
SHEET NO. 3 OF 3		MATERIAL NO. 52437-***72	
DRAWING NO. SD-52437-018		SHEET NO. 3 OF 3	

THIS DRAWING CONTAINS INFORMATION THAT IS PROPRIETARY TO MOLEX INCORPORATED AND SHOULD NOT BE USED WITHOUT WRITTEN PERMISSION.