

10 9 8 7 6 5 4 3 2 1

F

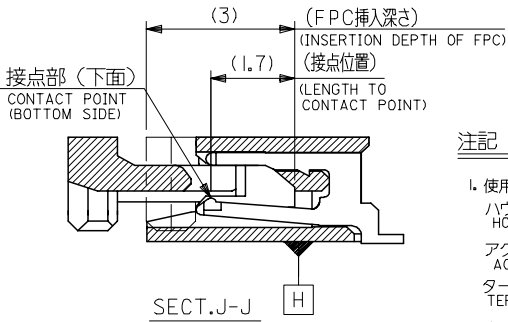
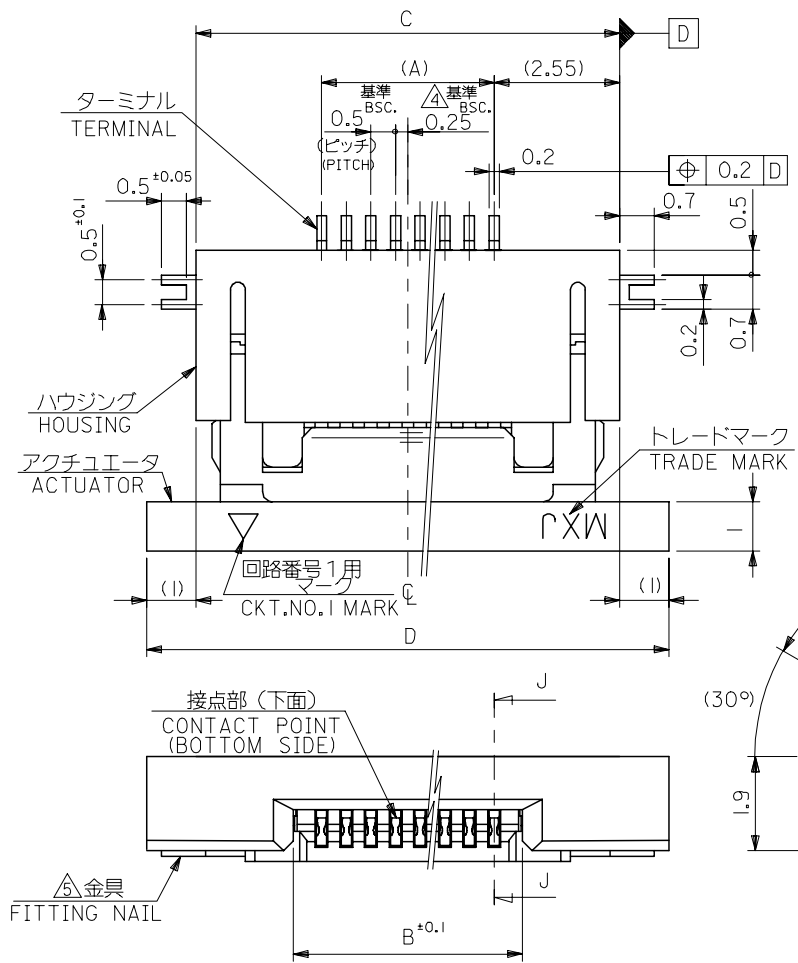
E

D

C

B

A



注記 NOTES

1. 使用材料: MATERIAL

ハウジング : 46ナイロン, UL94V-0  
HOUSING : 46NYLON

アクチュエータ: PPS, UL94V-0  
ACTUATOR

ターミナル: リン青銅, 錫メッキ (t=0.2)  
TERMINAL : PHOS-BRO.TIN-PLATED

金具: リン青銅, 錫メッキ (t=0.2)  
FITTING NAIL : PHOS-BRO.TIN-PLATED

2. エンボステップ梱包時は、アクチュエータがロックした状態とする。  
IN THE PACKAGE, ACTUATOR OF PART NO.52437-\*\*-27 SHOULD BE LOCKED.

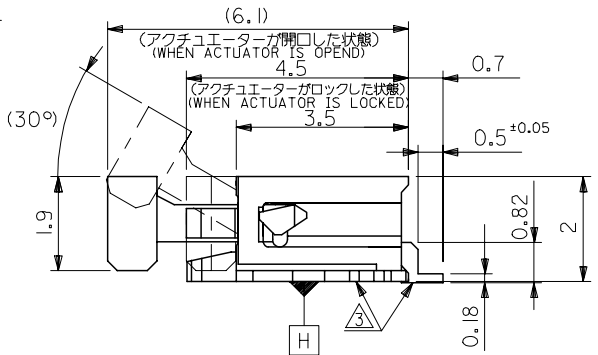
△ソルダーテール半田付け面のズレ量、及び金具半田付け面のズレ量は、基準面 H に対し上方向 0.1 MAX. , 下方向 0.15MAX.とする。  
MISALIGNMENT OF SOLDER TAILS AND FITTING NAILS FROM UPPER DIRECTION: 0.1 MAX. , LOWER DIRECTION: 0.15MAX.

△偶数極に適用。  
APPLY FOR EVEN CIRCUIT.

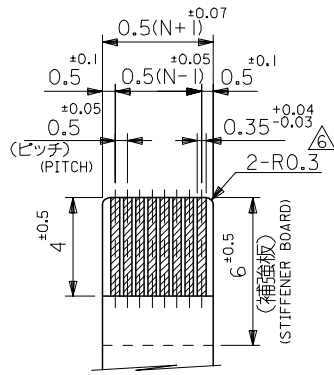
△パターンはくり止め用金具。  
FITTING NAIL FOR PREVENTION OF PEELING OF P.C.B. PATTERN.

△R0.3は、FPCの導体部にかからないこと。  
R0.3 MUST NOT BE OVERLAPPED TO PATTERN OF FPC.

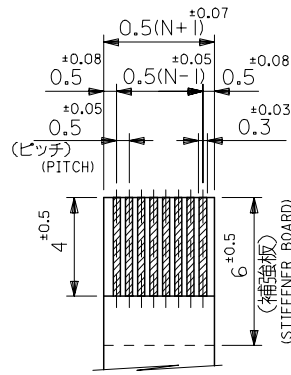
7. ソルダーテールの平坦度は、0.1 MAXIMUMとする。  
SOLDER TAIL COPLANARITY IS 0.1 MAXIMUM.



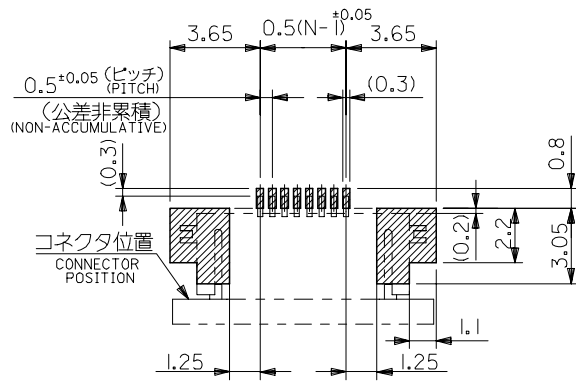
GENERAL TOLERANCES (UNLESS SPECIFIED)		DIMENSION STYLE		SCALE	DESIGN UNITS	THIRD ANGLE PROJECTION	
		MM ONLY		---	METRIC		
10 UNDER	±0.2	DRAWN BY	DATE	TITLE			
10 OVER	±0.25	SKAJINUM	'91/03/29	0.5 FPC CONN ZIF FOR SMT			
30 UNDER	±0.25	CHECKED BY	DATE	R/A(BOTTOM CONTACT)			
30 OVER	±0.3	MFUKUSHI	'97/07/14	MOLEX INCORPORATED			
ANGULAR	±3 °	APPROVED BY	DATE	MATERIAL NO.		DOCUMENT NO.	SHEET NO.
DRAFT WHERE APPLICABLE MUST REMAIN WITHIN DIMENSIONS		MFUKUSHI	'97/07/14	SEE CHART		SD-52437-**-27	1 OF 2
THIS DRAWING CONTAINS INFORMATION THAT IS PROPRIETARY TO MOLEX INCORPORATED AND SHOULD NOT BE USED WITHOUT WRITTEN PERMISSION							



適合FPC推奨寸法  
APPLICABLE FPC  
RECOMMENDED DIMENSION.  
(仕上がり厚さ:  $0.3^{+0.05}$ )  
(THICKNESS:  $0.3^{+0.05}$ )



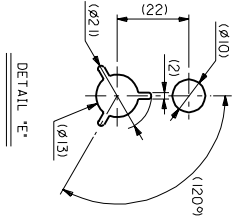
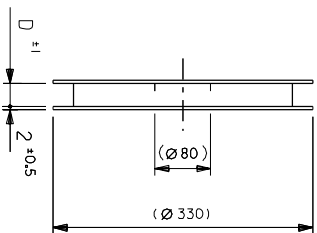
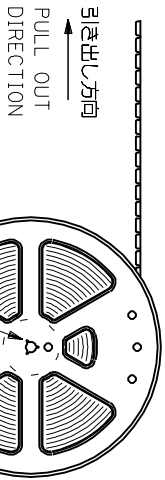
適合FFC推奨寸法  
APPLICABLE FFC  
RECOMMENDED DIMENSION.  
(仕上がり厚さ:  $0.3^{+0.05}$ )  
(THICKNESS:  $0.3^{+0.05}$ )



参考基板レイアウト  
(マウント面)  
RECOMMENDED P.C. BOARD  
PATTERN DIMENSION (REF.)  
(MOUNTING SIDE)

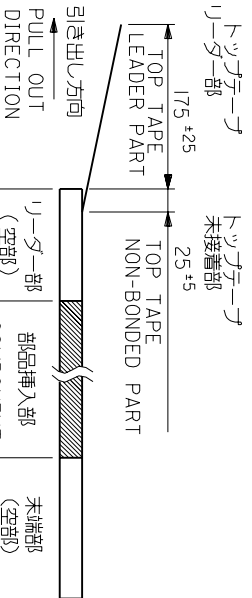
21.6	19.6	15.65	14.5	52437-3027	30
21.1	19.1	15.15	14.0	-2927	29
20.6	18.6	14.65	13.5	-2827	28
20.1	18.1	14.15	13.0	-2727	27
19.6	17.6	13.65	12.5	-2627	26
19.1	17.1	13.15	12.0	-2527	25
18.6	16.6	12.65	11.5	-2427	24
18.1	16.1	12.15	11.0	-2327	23
17.6	15.6	11.65	10.5	-2227	22
17.1	15.1	11.15	10.0	-2127	21
16.6	14.6	10.65	9.5	-2027	20
16.1	14.1	10.15	9.0	-1927	19
15.6	13.6	9.65	8.5	-1827	18
15.1	13.1	9.15	8.0	-1727	17
14.6	12.6	8.65	7.5	-1627	16
14.1	12.1	8.15	7.0	-1527	15
13.6	11.6	7.65	6.5	-1427	14
13.1	11.1	7.15	6.0	-1327	13
12.6	10.6	6.65	5.5	-1227	12
12.1	10.1	6.15	5.0	-1127	11
11.6	9.6	5.65	4.5	-1027	10
11.1	9.1	5.15	4.0	-0927	9
10.6	8.6	4.65	3.5	-0827	8
10.1	8.1	4.15	3.0	-0727	7
9.6	7.6	3.65	2.5	52437-0627	6
D	C	B	(A)	ENG. NO.	極数 CKT.

REVISED EC NO: J2005-0980 DRAWN: NABEI CHKD: KTOJO APPR: NUKITA 2004/10/01 2004/10/01 2004/10/12	GENERAL TOLERANCES (UNLESS SPECIFIED)		DIMENSION STYLE MM ONLY		SCALE ---	DESIGN UNITS METRIC	THIRD ANGLE PROJECTION
	10 UNDER	$\pm 0.2$	DRAWN BY SKAJINUM	DATE '91/03/29	TITLE 0.5 FPC CONN ZIF FOR SMT R/A(BOTTOM CONTACT)		
	10 OVER 30 UNDER	$\pm 0.25$	CHECKED BY MFUKUSHI	DATE '97/07/14	MOLEX INCORPORATED		
	30 OVER	$\pm 0.3$	APPROVED BY MFUKUSHI	DATE '97/07/14	DOCUMENT NO. SD-52437-**27		
	ANGULAR	$\pm 3^\circ$	MATERIAL NO.	DATE	SHEET NO. 2 OF 2		
DRAFT WHERE APPLICABLE MUST REMAIN WITHIN DIMENSIONS		SEE CHART		THIS DRAWING CONTAINS INFORMATION THAT IS PROPRIETARY TO MOLEX INCORPORATED AND SHOULD NOT BE USED WITHOUT WRITTEN PERMISSION			

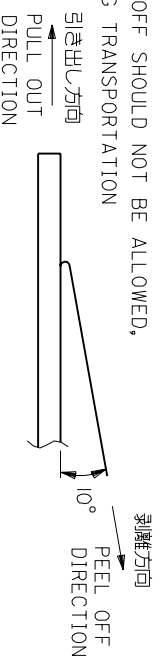


注記 NOTES

- 製品番号 52437-\*\*\*27 の梱包状態はフロッピーディスク状とする。  
詳細寸法については図面 SD-52437-\*\*\*27 を参照下さい。  
IN THE PACKAGE, ACTUATOR OF PART NO.52437-\*\*\*27 SHOULD BE LOCKED RE DETAILED DIMENSIONS,SEE SD-52437-\*\*\*27
- 梱包数量: 1000個/リール  
NUMBER OF CONNECTORS: 1000PCS/REEL
- リートの長さ LEAD TAPE LENGTH



- リーダ部の剥離強度: (剥離方向は下図参照) 尚、本規格値は、出荷時に適用。  
PEELING OFF FORCE OF TOP TAPE  
0.1N~0.7N(10.2gf~71.4gf)(PEELING DIRECTION AS SHOWN IN FOLLOWING FIG.)  
(但し、輸送時に剥離が発生しない事。)



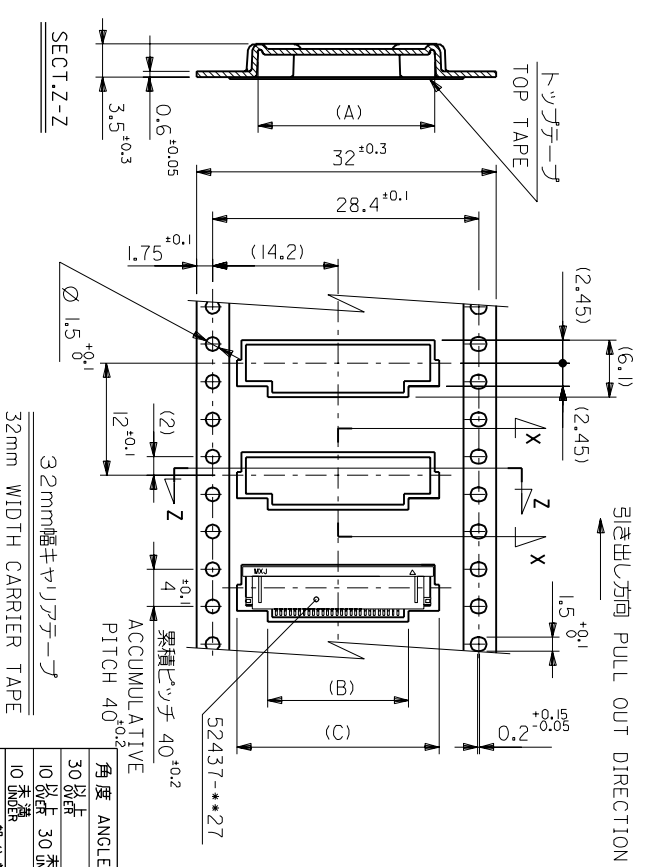
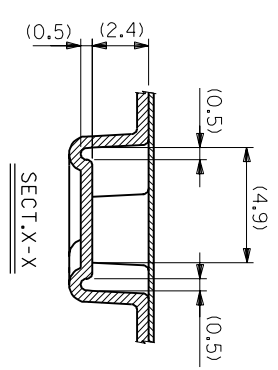
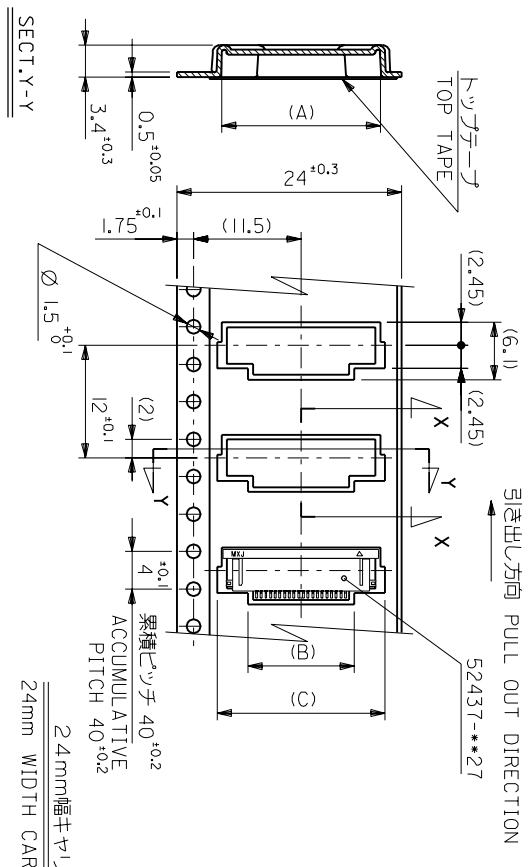
5. 材料 (MATERIAL)  
キャリアテープ (CARRIER TAPE): ポリプロピレン/ポリプロピレン  
トップテープ (TOP TAPE): PET, PE, PEF  
リール (REEL): ポリスタレン (PS) <リサイクル材を含む>  
POLYSTYREN (PS) <RECYCLE MATERIAL CONTAINED>

REVISION	REVISED BY	DATE	REASON
F	委更 (U20010468)	00/12/15	材料 注記参照 SEE NOTES
E	委更 (U41005)	94/12/13	仕上げ FINISH
D	委更 (U40900)	94/11/1	適用電線範囲 WIRE RANGE
C	委更 (U30060)	94/11/1	被覆外径 INS. RANGE
B	委更 (U20834)	92/9/4	---
A	委更 (U20554)	92/7/6	---
0	新製作成 (U10236)	91/3/29	DRAWN BY: 91/3/29 S.K.AJINUMA
0	配号内番 PROPOSED (U10236)	---	CHK'D BY: 00/12/20 S.KUNISHI

REVISION	REVISED BY	DATE	REASON
4	DR. CHK.	91/11/1	日付 M/FUKUSHIMA

THIS DRAWING CONTAINS INFORMATION THAT IS PROPRIETARY TO MOLEX/JAPAN AND SHOULD NOT BE USED WITHOUT WRITTEN PERMISSION FROM MOLEX/JAPAN (株) の所有する権利を含むもの。当社の許可なく複製を禁止する。

MM DIMENSIONS IN METRIC DO NOT SCALE DRAWING



Carrier Tape Width	Carrier Tape Pitch	Carrier Tape Width	Carrier Tape Pitch	Carrier Tape Width	Carrier Tape Pitch	Carrier Tape Width	Carrier Tape Pitch	Carrier Tape Width	Carrier Tape Pitch	Carrier Tape Width	Carrier Tape Pitch	Carrier Tape Width	Carrier Tape Pitch
24	25.5	24	25.5	24	25.5	24	25.5	24	25.5	24	25.5	24	25.5

REVISE ONLY ON CAD SYSTEM	REVISE ONLY ON CAD SYSTEM	REVISE ONLY ON CAD SYSTEM	REVISE ONLY ON CAD SYSTEM	REVISE ONLY ON CAD SYSTEM	REVISE ONLY ON CAD SYSTEM	REVISE ONLY ON CAD SYSTEM	REVISE ONLY ON CAD SYSTEM	REVISE ONLY ON CAD SYSTEM	REVISE ONLY ON CAD SYSTEM	REVISE ONLY ON CAD SYSTEM	REVISE ONLY ON CAD SYSTEM	REVISE ONLY ON CAD SYSTEM	REVISE ONLY ON CAD SYSTEM
29	28	27	26	25	24	23	22	20	19	18	17	16	15

REVISE ONLY ON CAD SYSTEM	REVISE ONLY ON CAD SYSTEM	REVISE ONLY ON CAD SYSTEM	REVISE ONLY ON CAD SYSTEM	REVISE ONLY ON CAD SYSTEM	REVISE ONLY ON CAD SYSTEM	REVISE ONLY ON CAD SYSTEM	REVISE ONLY ON CAD SYSTEM	REVISE ONLY ON CAD SYSTEM	REVISE ONLY ON CAD SYSTEM	REVISE ONLY ON CAD SYSTEM	REVISE ONLY ON CAD SYSTEM	REVISE ONLY ON CAD SYSTEM	REVISE ONLY ON CAD SYSTEM
29	28	27	26	25	24	23	22	20	19	18	17	16	15

REVISE ONLY ON CAD SYSTEM	REVISE ONLY ON CAD SYSTEM	REVISE ONLY ON CAD SYSTEM	REVISE ONLY ON CAD SYSTEM	REVISE ONLY ON CAD SYSTEM	REVISE ONLY ON CAD SYSTEM	REVISE ONLY ON CAD SYSTEM	REVISE ONLY ON CAD SYSTEM	REVISE ONLY ON CAD SYSTEM	REVISE ONLY ON CAD SYSTEM	REVISE ONLY ON CAD SYSTEM	REVISE ONLY ON CAD SYSTEM	REVISE ONLY ON CAD SYSTEM	REVISE ONLY ON CAD SYSTEM
29	28	27	26	25	24	23	22	20	19	18	17	16	15

REVISE ONLY ON CAD SYSTEM	REVISE ONLY ON CAD SYSTEM	REVISE ONLY ON CAD SYSTEM	REVISE ONLY ON CAD SYSTEM	REVISE ONLY ON CAD SYSTEM	REVISE ONLY ON CAD SYSTEM	REVISE ONLY ON CAD SYSTEM	REVISE ONLY ON CAD SYSTEM	REVISE ONLY ON CAD SYSTEM	REVISE ONLY ON CAD SYSTEM	REVISE ONLY ON CAD SYSTEM	REVISE ONLY ON CAD SYSTEM	REVISE ONLY ON CAD SYSTEM	REVISE ONLY ON CAD SYSTEM
29	28	27	26	25	24	23	22	20	19	18	17	16	15

MOLEX JAPAN CO., LTD.  
日本モロックス株式会社

52437-2991

24

32

33.5

24

25.5

24

25.5

24

25.5

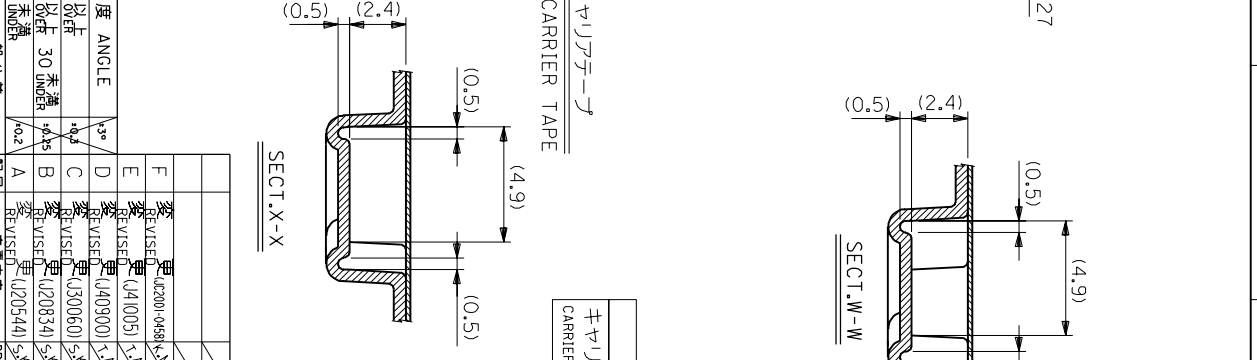
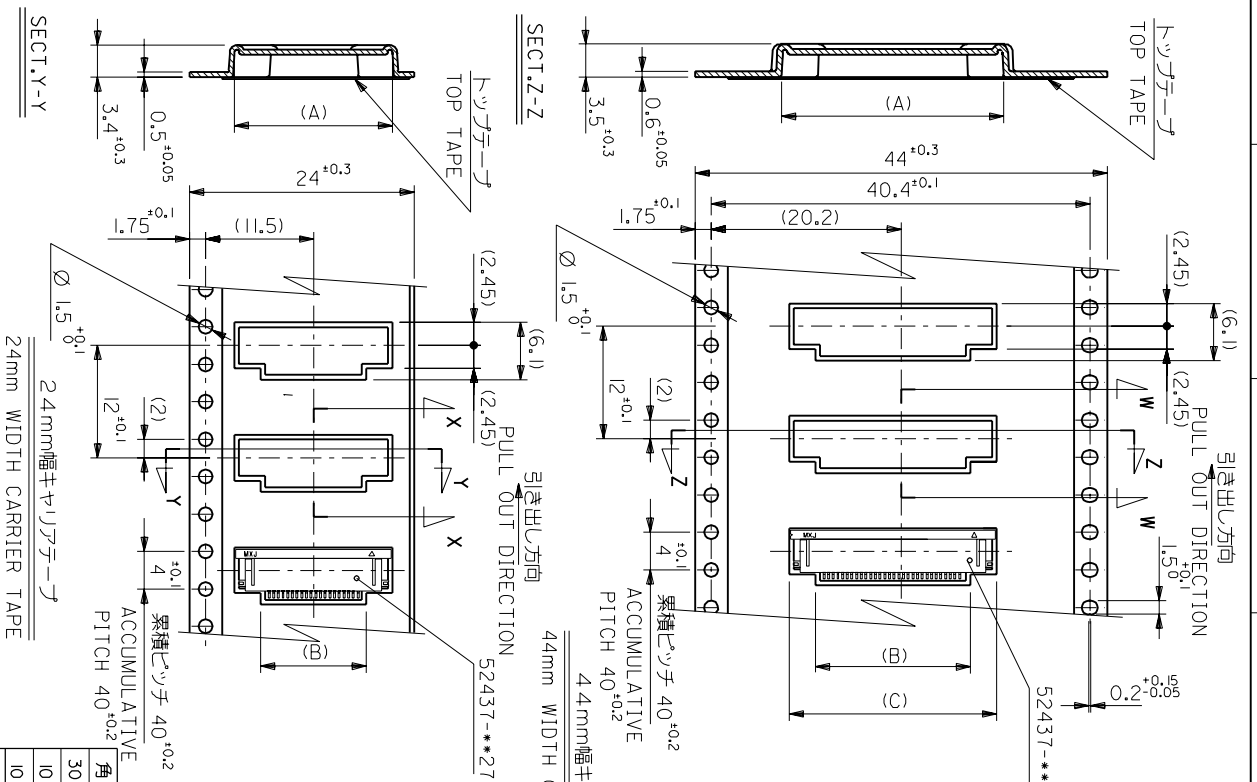
24

25.5

24

25.5

MM DIMENSIONS IN METRIC DO NOT SCALE DRAWING



44	45.5	22.9	16.3	21.9	52437-3091	30
キャリアテープ幅 CARRIER TAPE WIDTH	D	(C)	(B)	(A)	ENG. NO.	極数 CIRCUIT

24	25.5	11.8	17.4	52437-2191	21
キャリアテープ幅 CARRIER TAPE WIDTH	D	(B)	(A)	ENG. NO.	極数 CIRCUIT

材料 SHEET 1 OF 3 参照 MATERIAL REFER TO SHEET 1 OF 3		モレックス MOLEX-JAPAN CO.,LTD. 日本モレックス株式会社	
F 変更 (41005)	仕上げ FINISH	REVISE ONLY ON CAD SYSTEM	
E 変更 (42001-0468)	適用電線範囲 WIRE RANGE	0.5 FPC Conn ZIF	
D 変更 (440900)	披覆外径 INS. RANGE	SMT R/A	
C 変更 (330060)	NS. RANGE	With Tape Embstd Pkg	
B 変更 (420834)	DRAWN BY: 92/7/1	CHK'D BY: 00/12/20	
A 変更 (420544)	S.K.AJINUMA	S.KUNISHI	
配号 REVISION RECORD	日付 DATE	承認 APPROVED	スケール SCALE
DR. CHK.	92/7/6	90/12/20	—

THIS DRAWING CONTAINS INFORMATION THAT IS PROPRIETARY TO MOLEX/JAPAN AND SHOULD NOT BE USED WITHOUT WRITTEN PERMISSION  
 本図面は日本モレックス(株)の所有する情報を含むものを、当社の許可なく複製を禁止する。  
 EN-01C032MXJ-32