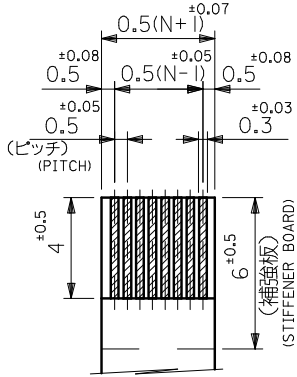
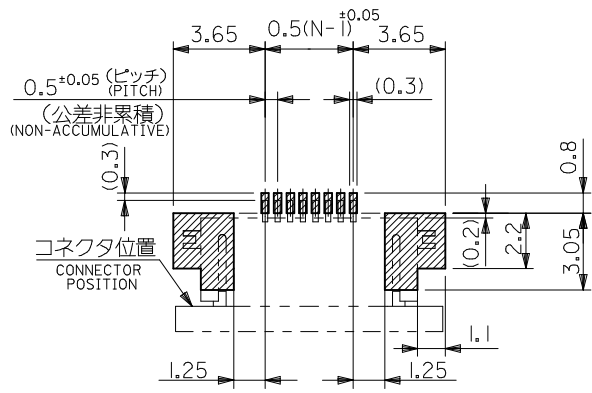


適合FPC推奨寸法
 APPLICABLE FPC RECOMMENDED DIMENSION.
 (仕上がり厚さ: 0.3^{±0.05})
 (THICKNESS: 0.3^{±0.05})



適合FPC推奨寸法
 APPLICABLE FPC RECOMMENDED DIMENSION.
 (仕上がり厚さ: 0.3^{±0.05})
 (THICKNESS: 0.3^{±0.05})



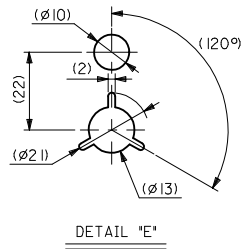
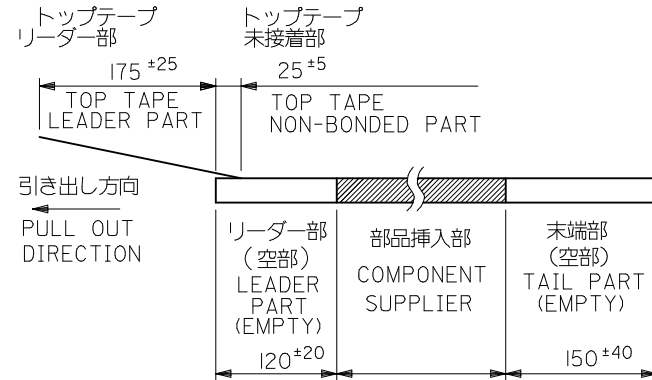
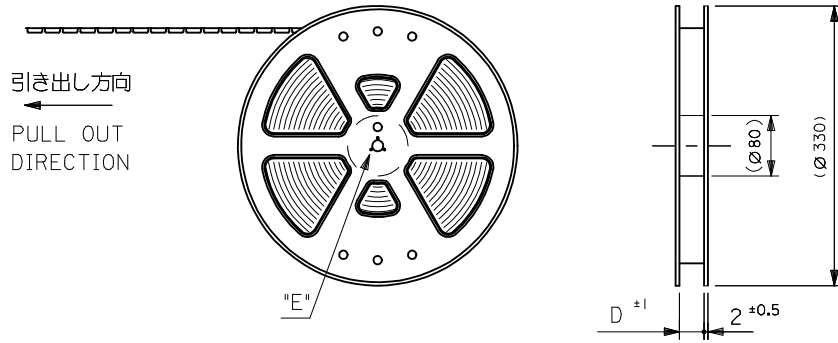
参考基板レイアウト
 (マウント面)
 RECOMMENDED P.C. BOARD PATTERN DIMENSION (REF.) (MOUNTING SIDE)

21.6	19.6	15.65	14.5	52437-3027	30
21.1	19.1	15.15	14.0	-2927	29
20.1	18.1	14.15	13.0	-2727	27
19.6	17.6	13.65	12.5	-2627	26
18.6	16.6	12.65	11.5	-2427	24
18.1	16.1	12.15	11.0	-2327	23
17.6	15.6	11.65	10.5	-2227	22
16.6	14.6	10.65	9.5	-2027	20
15.6	13.6	9.65	8.5	-1827	18
14.6	12.6	8.65	7.5	-1627	16
14.1	12.1	8.15	7.0	-1527	15
13.6	11.6	7.65	6.5	-1427	14
13.1	11.1	7.15	6.0	-1327	13
12.6	10.6	6.65	5.5	-1227	12
11.6	9.6	5.65	4.5	-1027	10
10.6	8.6	4.65	3.5	-0827	8
10.1	8.1	4.15	3.0	-0727	7
9.6	7.6	3.65	2.5	52437-0627	6
D	C	B	(A)	ENG. NO.	極数

SEE SHEET 1 EC NO: J2014-1862 DRWN: JASUNUMA 2014/06/26 CHKD: TAKAHASHI 2014/06/26 APPR: YNOGAWA 2014/07/01	DESCRIPTION REV: A	GENERAL TOLERANCES (UNLESS SPECIFIED)		DIMENSION STYLE MM ONLY		SCALE ---	DESIGN UNITS METRIC	THIRD ANGLE PROJECTION		
		10 UNDER	±0.2	DRAWN BY KNAGUMO	DATE 2013/07/16	TITLE 0.5 FPC CONN ZIF FOR SMT R/A(BOTTOM CONTACT)				
		10 OVER 30 UNDER	±0.25	CHECKED BY KTAKAHASHI	DATE 2013/07/16					
		30 OVER	±0.3	APPROVED BY YNOGAWA	DATE 2013/08/02					
ANGULAR ±3 °		DRAFT WHERE APPLICABLE MUST REMAIN WITHIN DIMENSIONS		MATERIAL NO. SEE CHART		DOCUMENT NO. SD-52437-025		SHEET NO. 2 OF 2		
SIZE A3		THIS DRAWING CONTAINS INFORMATION THAT IS PROPRIETARY TO MOLEX INCORPORATED AND SHOULD NOT BE USED WITHOUT WRITTEN PERMISSION								

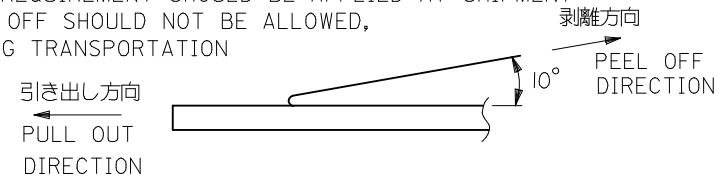
注記 NOTES

- 製品番号 52437-**27 の梱包状態はアクチュエータがロックした状態とする。
 詳細寸法については図面 SD-52437-025 を参照下さい。
 IN THE PACKAGE, ACTUATOR OF PART NO.52437-**27 SHOULD BE LOCKED RE DETAILED DIMENSIONS, SEE SD-52437-025
- 梱包数量：1000個/リール
 NUMBER OF CONNECTORS: 1000PCS/REEL
- リードテープ長さ LEAD TAPE LENGTH



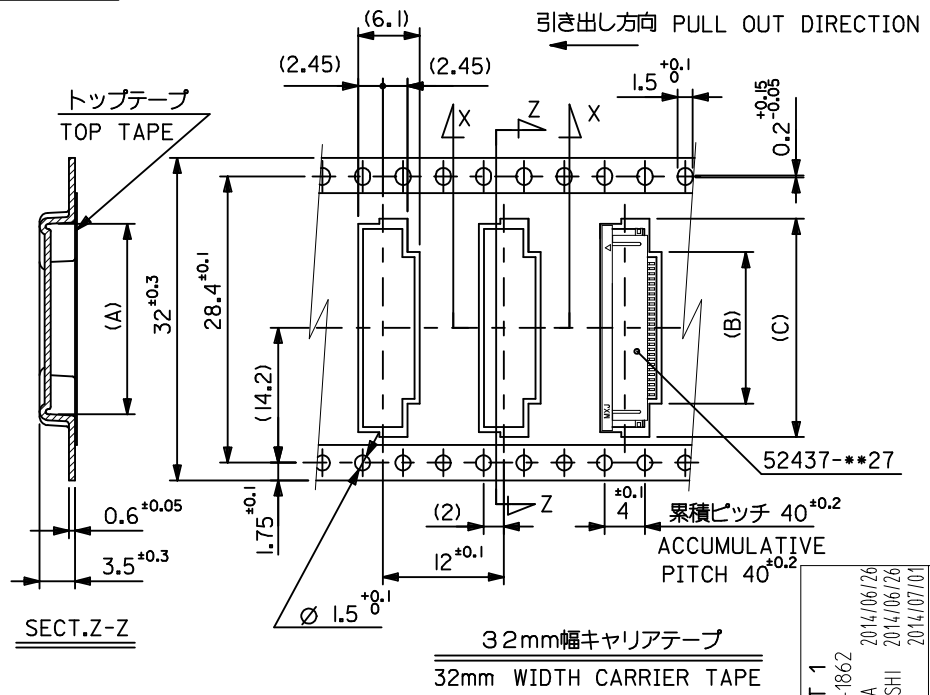
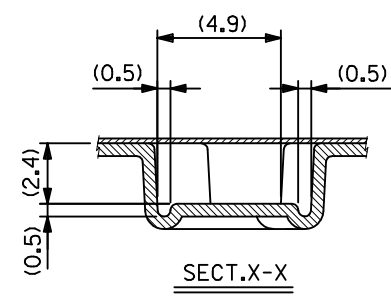
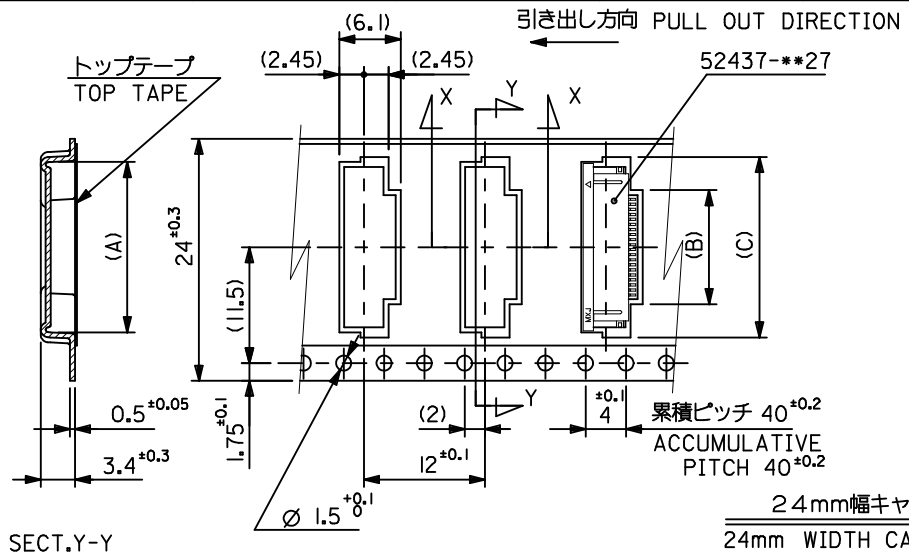
- トップテープの剥離強度：(剥離方向は下図参照)
 0.1N~0.7N (10.2gf~71.4gf) 尚、本規格値は、出荷時に適用。
 (但し、輸送時に剥離が発生しない事。)

PEELING OFF FORCE OF TOP TAPE
 0.1N~0.7N(10.2gf~71.4gf)(PEELING DIRECTION AS SHOWN IN FOLLOWING FIG.)
 THIS REQUIREMENT SHOULD BE APPLIED AT SHIPMENT
 PEEL OFF SHOULD NOT BE ALLOWED,
 DURING TRANSPORTATION



- 材料 (MATERIAL)
 キャリアテープ (CARRIER TAPE) : ポリプロピレン (POLYPROPYLENE)
 トップテープ (TOPTAPE) : PET, PE, PEF
 リール (REEL) : ポリスチレン (PS) <リサイクル材を含む>
 POLYSTYREN (PS) <RECYCLE MATERIAL CONTAINED>

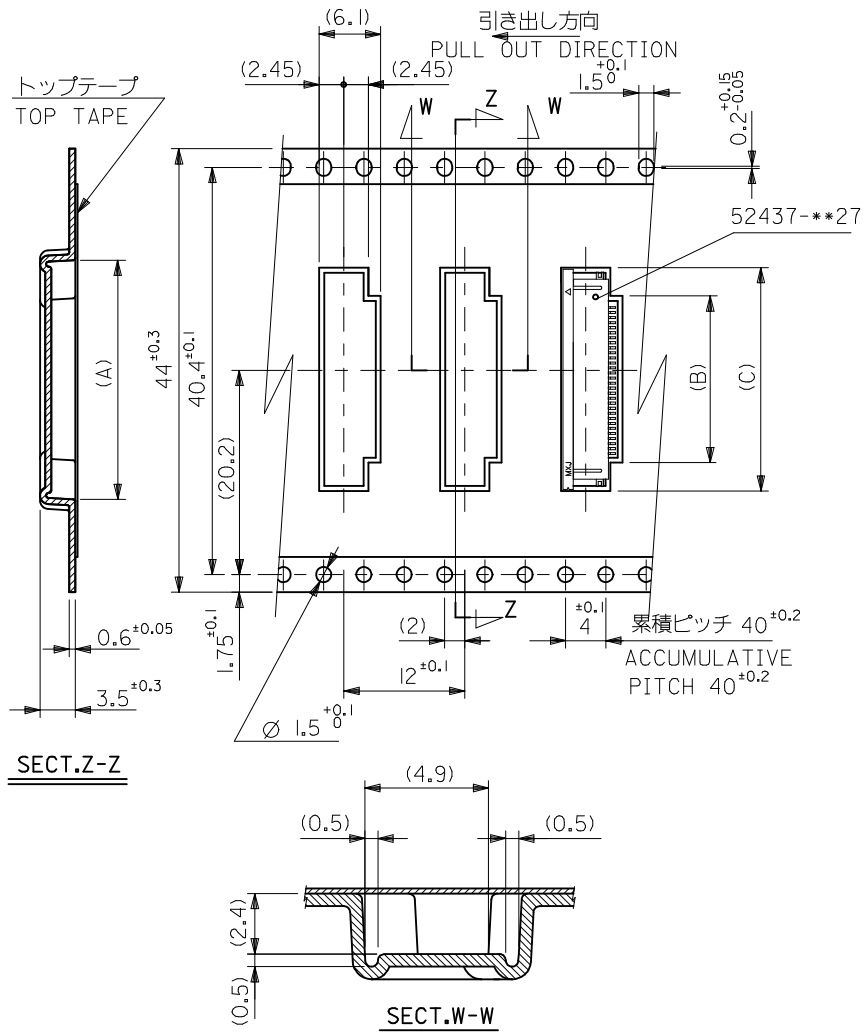
REVISED EC NO: J2014-1862 DRWN: JASUNUMA 2014/06/26 CHKD: TAKAHASHI 2014/06/26 APPR: YNOGAWA 2014/07/01	DESCRIPTION A	GENERAL TOLERANCES (UNLESS SPECIFIED)		DIMENSION STYLE MM ONLY		SCALE ---	DESIGN UNITS METRIC	THIRD ANGLE PROJECTION		
		10 UNDER	± ---	DRAWN BY KNAGUMO	DATE 2013/07/16	TITLE EMBOSSED TAPE PACKAGE FOR 52437-**27				
		10 OVER 30 UNDER	± ---	CHECKED BY KTAKAHASHI	DATE 2013/07/16					
		30 OVER	± ---	APPROVED BY YNOGAWA	DATE 2013/08/02	molex MATERIAL NO. SEE CHART DOCUMENT NO. SD-52437-026 SHEET NO. 1 OF 3				
ANGULAR ± --- °		DRAFT WHERE APPLICABLE MUST REMAIN WITHIN DIMENSIONS		THIS DRAWING CONTAINS INFORMATION THAT IS PROPRIETARY TO MOLEX INCORPORATED AND SHOULD NOT BE USED WITHOUT WRITTEN PERMISSION						



32	33.5	22.4	15.8	21.4	52437-2991	29
		21.4	14.8	20.4	-2791	27
		20.9	14.3	19.9	-2691	26
		19.9	13.3	18.9	-2491	24
		19.4	12.8	18.4	-2391	23
		18.9	12.3	17.9	-2291	22
24	25.5	17.9	11.3	16.9	-2091	20
		16.9	10.3	15.9	-1891	18
		15.9	9.3	14.9	-1691	16
		15.4	8.8	14.4	-1591	15
		14.9	8.3	13.9	-1491	14
		14.4	7.8	13.4	-1391	13
		13.9	7.3	12.9	-1291	12
		12.9	6.3	11.9	-1091	10
		11.9	5.3	10.9	-0891	8
		11.4	4.8	10.4	-0791	7
10.9	4.3	9.9	52437-0691	6		
キャリアテープ幅 CARRIER TAPE WIDTH		D	(C)	(B)	(A)	ENG. NO.

SEE SHEET 1 EC NO: J2014-1862 DRWN: JASUNUMA 2014/06/26 CHKD: TAKAHASHI 2014/06/26 APPR: YNOGAWA 2014/07/01	GENERAL TOLERANCES (UNLESS SPECIFIED)	
	10 UNDER	± ---
	10 OVER 30 UNDER	± ---
	30 OVER	± ---
ANGULAR	± --- °	
DRAFT WHERE APPLICABLE MUST REMAIN WITHIN DIMENSIONS		
A	REV	

DIMENSION STYLE MM ONLY		SCALE ---	DESIGN UNITS METRIC	THIRD ANGLE PROJECTION
DRAWN BY KNAGUMO	DATE 2013/07/16	TITLE EMBOSSED TAPE PACKAGE FOR 52437-**27		
CHECKED BY KTAKAHASHI	DATE 2013/07/16			
APPROVED BY YNOGAWA	DATE 2013/08/02			
MATERIAL NO. SEE CHART		DOCUMENT NO. SD-52437-026		SHEET NO. 2 OF 3
THIS DRAWING CONTAINS INFORMATION THAT IS PROPRIETARY TO MOLEX INCORPORATED AND SHOULD NOT BE USED WITHOUT WRITTEN PERMISSION				



44mm幅キャリアテープ
44mm WIDTH CARRIER TAPE

44	45.5	22.9	16.3	21.9	52437-3091	30
キャリアテープ幅 CARRIER TAPE WIDTH	D	(C)	(B)	(A)	ENG. NO.	極数 CIRCUIT

SEE SHEET 1 EC NO: J2014-1862 DRWN: JASANUMA 2014/06/26 CHKD: KTAKAHASHI 2014/06/26 APPR: YNOGAWA 2014/07/01	GENERAL TOLERANCES (UNLESS SPECIFIED)	
	10 UNDER	± ---
	10 OVER 30 UNDER	± ---
	30 OVER	± ---
DESCRIPTION	ANGULAR	± --- °
REV	DRAFT WHERE APPLICABLE MUST REMAIN WITHIN DIMENSIONS	

DIMENSION STYLE MM ONLY		SCALE ---	DESIGN UNITS METRIC	THIRD ANGLE PROJECTION
DRAWN BY KNAGUMO	DATE 2013/07/16	TITLE EMBOSSD TAPR PACKAGE FOR 52437-***27		
CHECKED BY KTAKAHASHI	DATE 2013/07/16			
APPROVED BY YNOGAWA	DATE 2013/08/02			
MATERIAL NO.	SEE CHART	DOCUMENT NO. SD-52437-026	SHEET NO. 3 OF 3	
THIS DRAWING CONTAINS INFORMATION THAT IS PROPRIETARY TO MOLEX INCORPORATED AND SHOULD NOT BE USED WITHOUT WRITTEN PERMISSION				