

**PLEASE CHECK WWW.MOLEX.COM FOR LATEST PART INFORMATION**

**Part Number:** **0525592570**  
**Status:** **Contact Molex**  
**Description:** 0.50mm (.020") Pitch FFC/FPC Connector, Vertical, SMT, ZIF, 25 Circuits, Lead-free

**Documents:**

3D Model [Packaging Specification SPK-52559-003 \(PDF\)](#)  
Drawing (PDF) [RoHS Certificate of Compliance \(PDF\)](#)  
Product Specification PS-52559-012 (PDF)

**Agency Certification**

UL E29179

**General**

Product Family FFC/FPC Connectors  
Series [52559](#)  
Product Name N/A

**Physical**

Circuits (Loaded) 25  
Color - Resin Natural  
Contact Position N/A  
Durability (mating cycles max) 20  
Entry Angle Vertical  
Flammability 94V-0  
Mated Height 3.90mm (.154")  
Material - Metal Phosphor Bronze  
Material - Plating Mating Tin-Bismuth  
Material - Plating Termination Tin-Bismuth  
Number of Rows 1  
Orientation Vertical  
PCB Locator No  
PCB Retention Yes  
Packaging Type Embossed Tape on Reel  
Pitch - Mating Interface 0.50mm (.020")  
Polarized to PCB No  
Stackable No  
Temperature Range - Operating -40°C to +85°C  
Termination Interface: Style Surface Mount  
Wire/Cable Type FFC/FPC

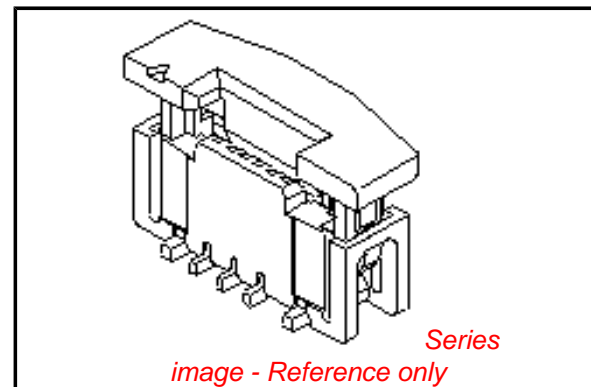
**Electrical**

Current - Maximum per Contact 0.5A  
Voltage - Maximum 50V

**Material Info**

**Reference - Drawing Numbers**

Packaging Specification SPK-52559-003  
Product Specification PS-52559-012, RPS-52559-049, RPS-52559-052,  
RPS-52559-054, RPS-52559-055, RPS-52559-073,  
RPS-52559-076, RPS-52559-077  
Sales Drawing SD-52559-029, SD-52559-045



**EU RoHS**

**ELV and RoHS  
Compliant  
REACH SVHC  
Contains SVHC: No  
Low-Halogen Status  
Not Low-Halogen**

**China RoHS**



**Need more information on product  
environmental compliance?**

Email [productcompliance@molex.com](mailto:productcompliance@molex.com)  
For a multiple part number RoHS Certificate of  
Compliance, [click here](#)

Please visit the [Contact Us](#) section for any  
non-product compliance questions.

**Search Parts in this Series**

[52559Series](#)