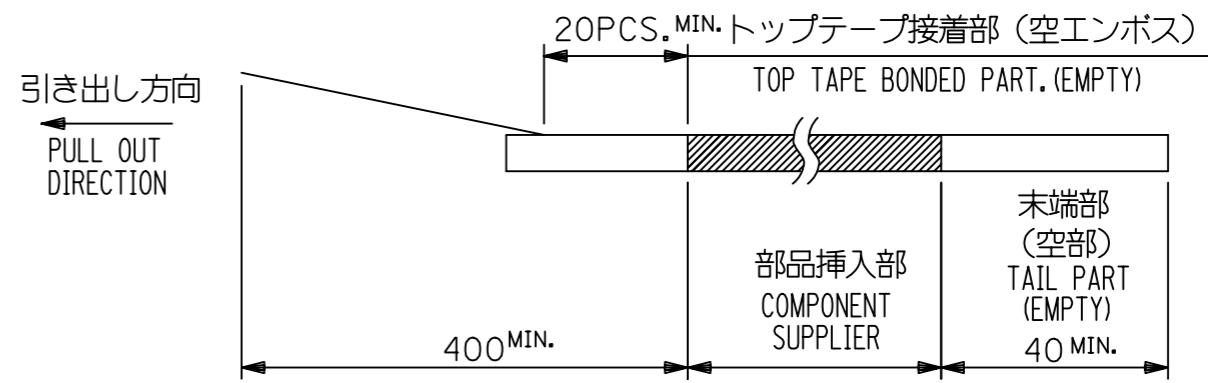


NOTE

1. 梱包数量 : 1000個/リール
 NUMBER OF CONNECTORS : 1000 PCS/REEL

2. リードテープ長さ LEAD TAPE LENGTH



3. 52610-**15のアクチュエータはハウジング内に押し下げた状態とする。
 詳細寸法については図面 526101000 PSD 000 を参照下さい。
 ACTUATOR OF PART NO. 52610-**15 SHOULD BE LOCKED.
 RE DETAILD DIMENSIONS, SEE 526101000 PSD 000.

4. 材料 MATERIAL
 キャリアテープ : ポリプロピレン
 トップテープ : PET, PE, PEF
 リール : ポリスチレン <リサイクル材を含む>
 CARRIER TAPE : POLYPROPYLENE
 TOP TAPE : PET, PE, PEF
 REEL : POLYSTYRENE (PS) < RECYCLE MATERIAL CONTAINED >

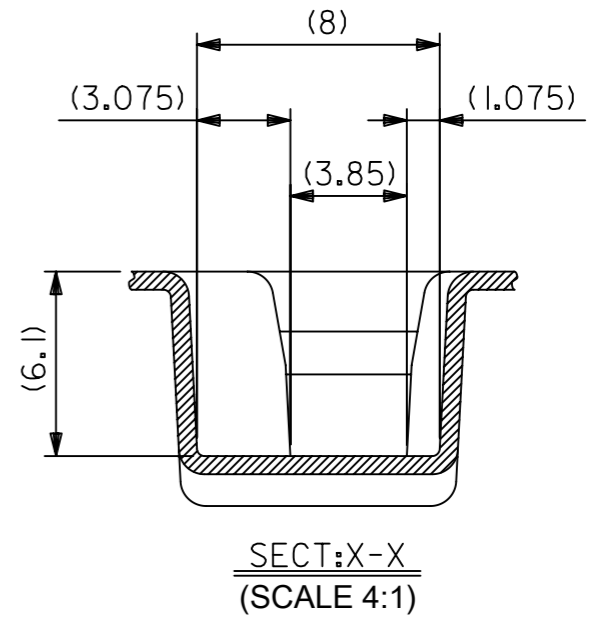
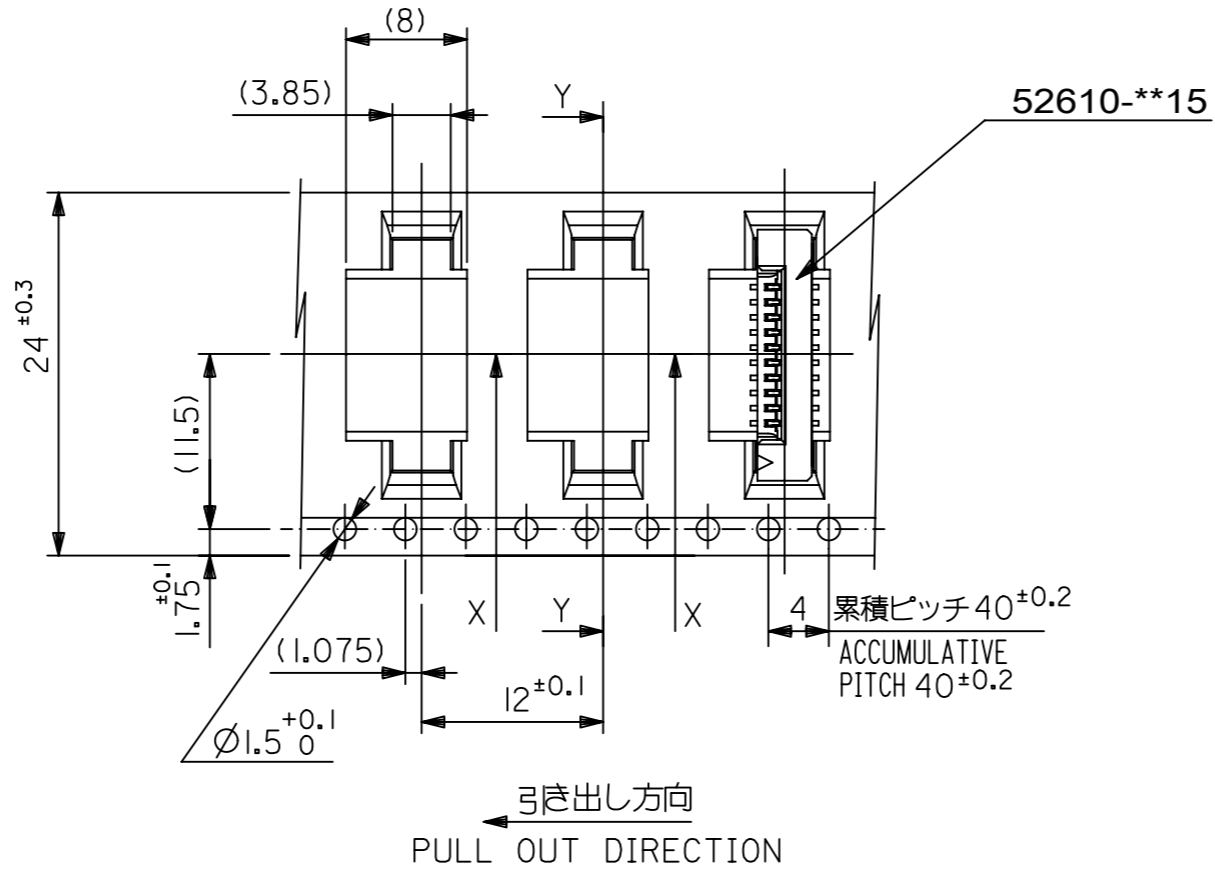
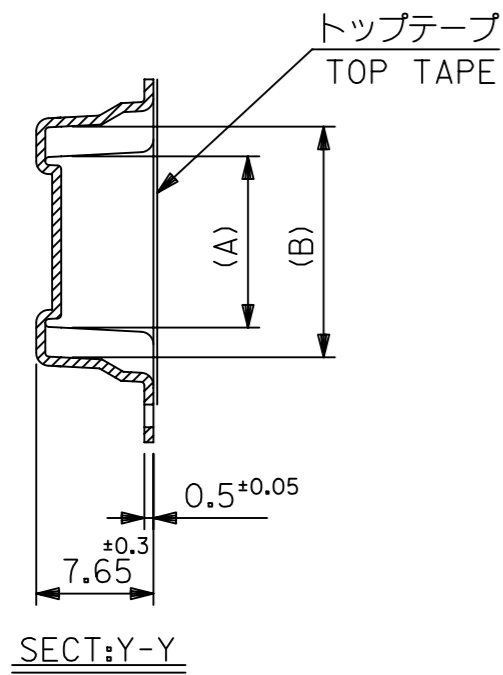
5. 本製品は52610シリーズの接点金めつき品である。
 THIS PRODUCT IS Au-CONTACT OF 52610 SERIES.

6. 本製品は乾燥剤入り、ハイバリア梱包仕様である。
 THIS PRODUCT IS HIGH BARRIER PACKAGE WITH DESICCANT.

MODEL NO. 52610-**72

THIS DRAWING CONTAINS INFORMATION THAT IS PROPRIETARY TO MOLEX ELECTRONIC TECHNOLOGIES, LLC AND SHOULD NOT BE USED WITHOUT WRITTEN PERMISSION												
RELEASED	EC NO: 106044	2016/10/12	GENERAL TOLERANCES (UNLESS SPECIFIED)		DIMENSION UNITS	SCALE	molex					
	DRWN: YMIZUNO02	2016/12/28	ANGULAR TOL ± 3.0 °		MM	---						
	CHK'D: YKOBAYASHI02	2016/12/28	4 PLACES	± 0.2	DRWN BY	DATE	1.0 FPC CONN ZIF ASSY SMT ST EMBSTP PKG					
	APPR: TKUSUHARA01	2016/12/28	3 PLACES	± 0.2	YMIZUNO02	2016/10/12						
			2 PLACES	± 0.2	CHK'D BY	DATE	PRODUCT CUSTOMER DRAWING					
			1 PLACE	± 0.2	YKOBAYASHI02	2016/12/28						
		0 PLACES	± 0.2	APPR BY	DATE	SERIES	MATERIAL NUMBER	CUSTOMER				
				TKUSUHARA01	2016/12/28	52610	SEE CHART	GENERAL				
				DRAFT WHERE APPLICABLE MUST REMAIN WITHIN DIMENSIONS		DRAWING SIZE	THIRD ANGLE PROJECTION		DOCUMENT NUMBER	DOC TYPE	DOC PART	SHEET NUMBER
A					A3			526100000	PSD	000	1 OF 5	

RELEASE STATUS	RELEASE DATE
----------------	--------------

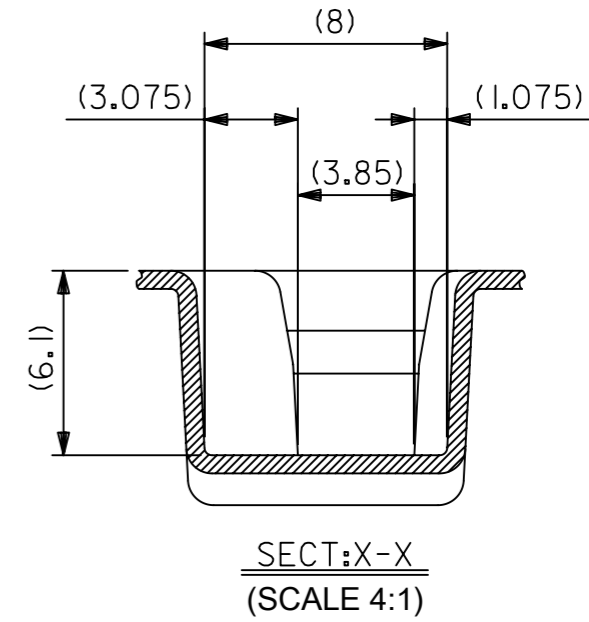
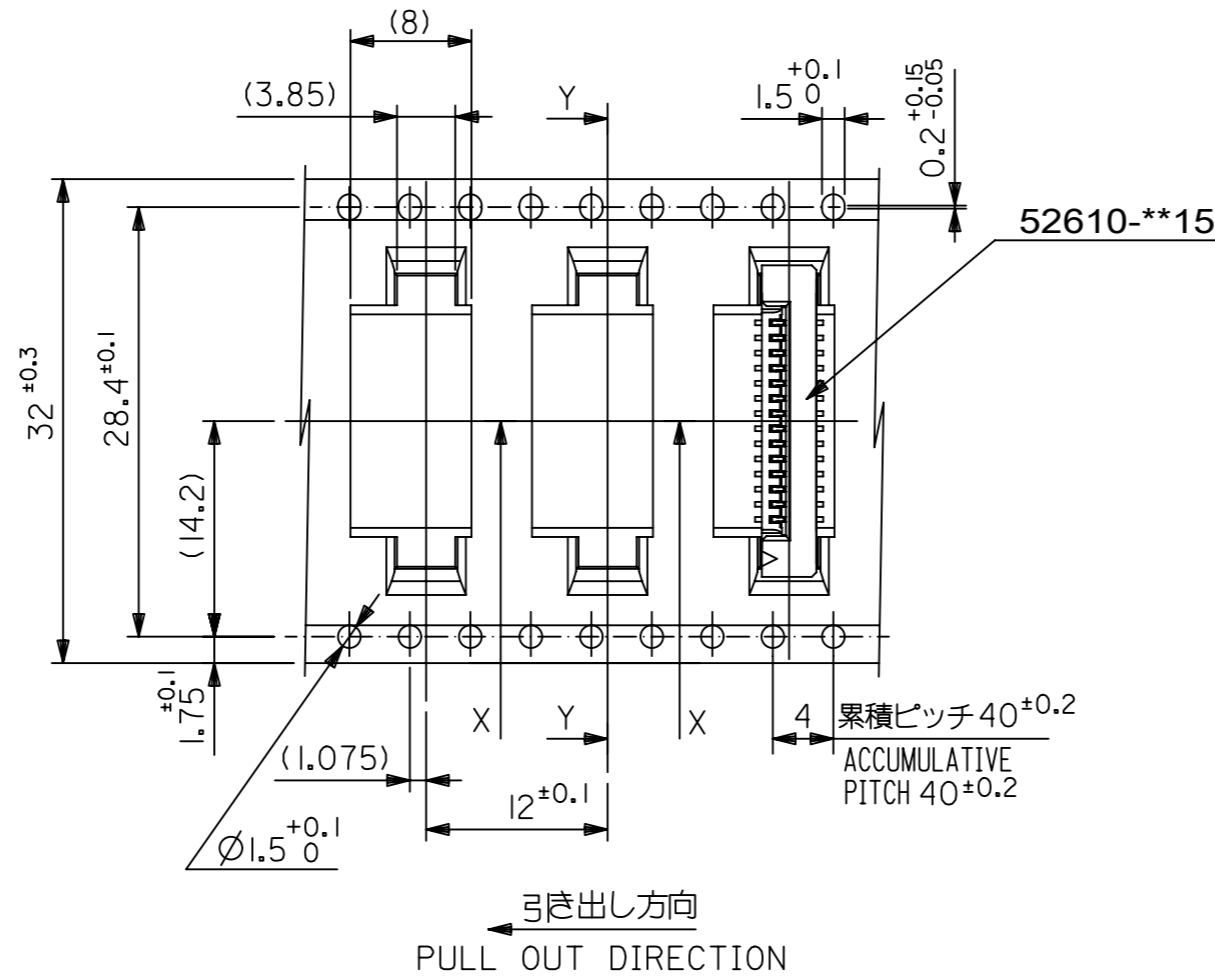
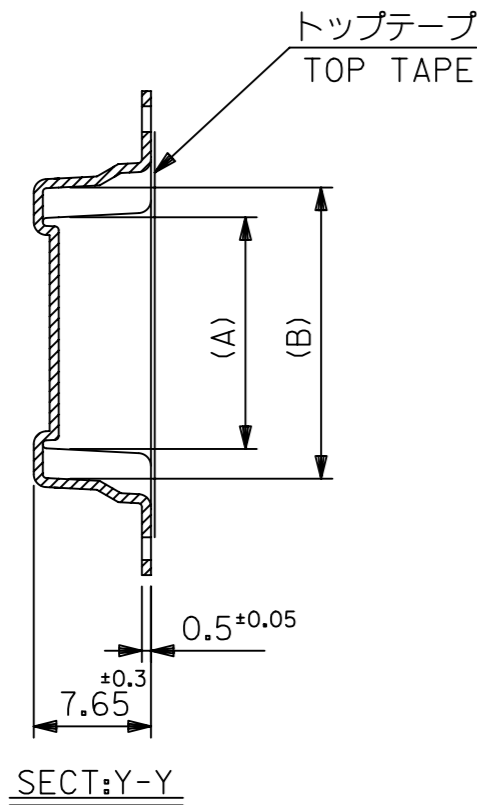


24	29.4	25.4	15.25	11.32	52610-1072	10		
			14.25	10.32	52610-0972	9		
			13.25	9.32	52610-0872	8		
			12.25	8.32	52610-0772	7		
			11.25	7.32	52610-0672	6		
			10.25	6.32	52610-0572	5		
キャリアテープ幅 CARRIER TAPE WIDTH			D	C	(B)	(A)	MATERIAL NO.	極数 CKT

THIS DRAWING CONTAINS INFORMATION THAT IS PROPRIETARY TO MOLEX ELECTRONIC TECHNOLOGIES, LLC AND SHOULD NOT BE USED WITHOUT WRITTEN PERMISSION

EC NO: 106044 DRWN: YMIZUNO02 CHK'D: YKOBAYASHI02 APPR: TKUSUHARA01	2016/10/12	2016/12/28	2016/12/28	GENERAL TOLERANCES (UNLESS SPECIFIED) ANGULAR TOL ± 3.0 ° 4 PLACES ± 0.2 3 PLACES ± 0.2 2 PLACES ± 0.2 1 PLACE ± 0.2 0 PLACES ± 0.2 DRAFT WHERE APPLICABLE MUST REMAIN WITHIN DIMENSIONS	DIMENSION UNITS	SCALE			
	2016/10/12	2016/12/28	2016/12/28		MM	---			
	YMIZUNO02	YKOBAYASHI02	TKUSUHARA01		DRWN BY	DATE		DATE	1.0 FPC CONN ZIF ASSY SMT ST EMBSTP PKG
	YKOBAYASHI02	TKUSUHARA01	TKUSUHARA01		CHK'D BY	DATE		DATE	
	TKUSUHARA01	TKUSUHARA01	TKUSUHARA01		APPR BY	DATE		DATE	
	A	REV	3		DRAWING SIZE	THIRD ANGLE PROJECTION		PRODUCT CUSTOMER DRAWING	
			A3		SERIES	MATERIAL NUMBER	CUSTOMER		
					52610	SEE CHART	GENERAL		
					DOCUMENT NUMBER	DOC TYPE	DOC PART	SHEET NUMBER	
					526100000	PSD	000	2 OF 5	

RELEASE STATUS	RELEASE DATE
----------------	--------------

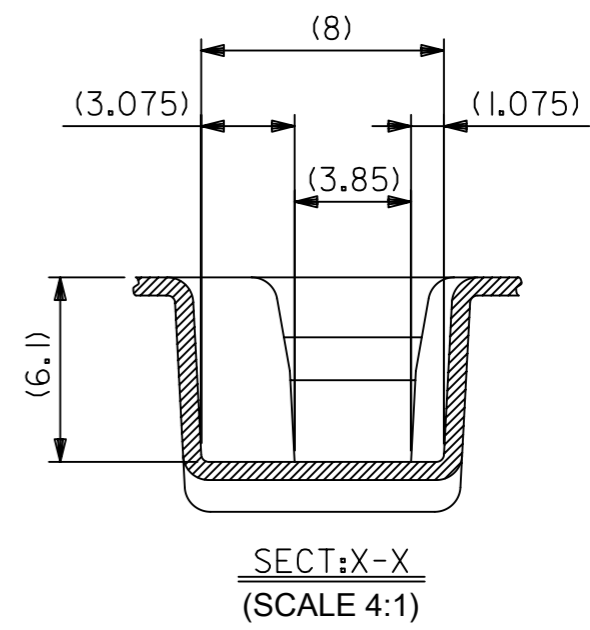
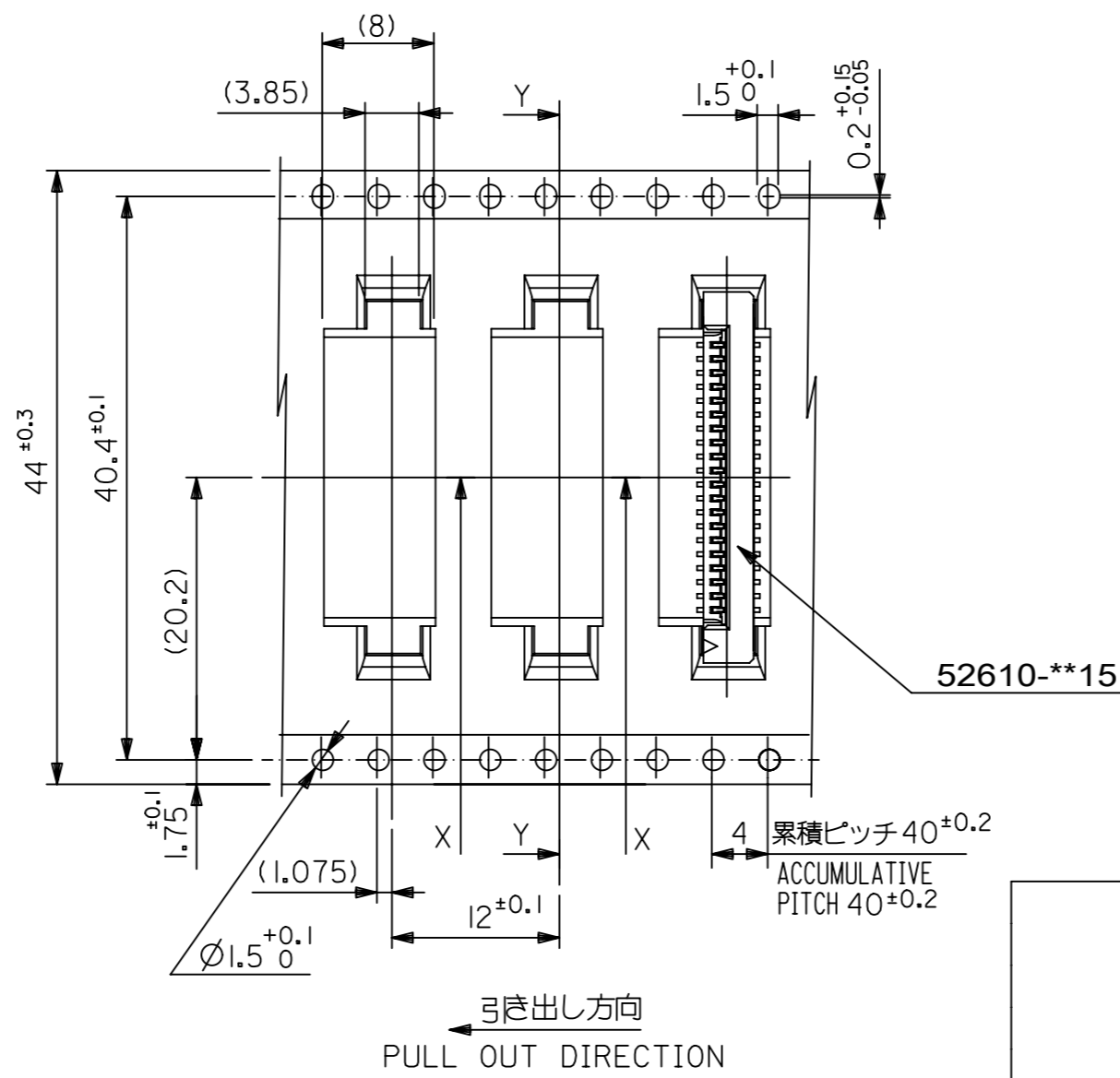
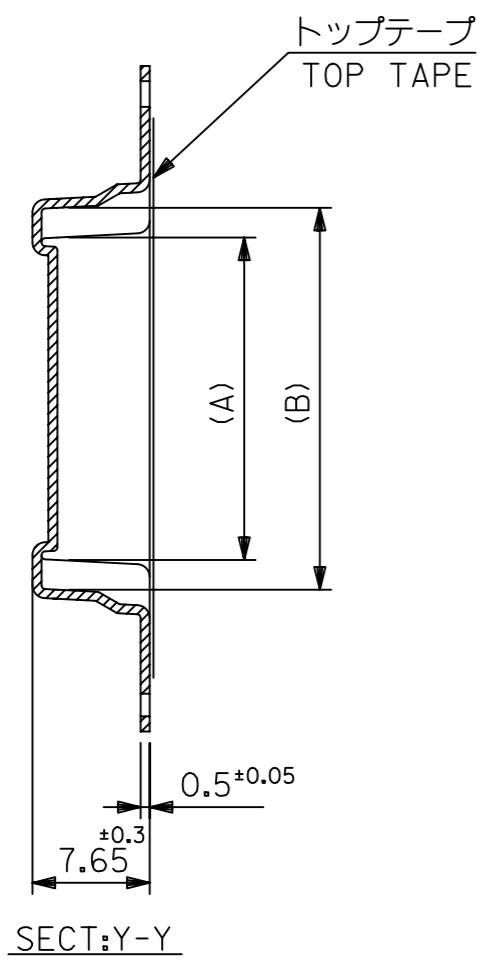


32	37.4	33.4	20.25	16.32	52610-1572	15	
			19.25	15.32	52610-1472	14	
			18.25	14.32	52610-1372	13	
			17.25	13.32	52610-1272	12	
			16.25	12.32	52610-1172	11	
キャリアテープ幅 CARRIER TAPE WIDTH		D	C	(B)	(A)	MATERIAL NO.	極数 CKT

THIS DRAWING CONTAINS INFORMATION THAT IS PROPRIETARY TO MOLEX ELECTRONIC TECHNOLOGIES, LLC AND SHOULD NOT BE USED WITHOUT WRITTEN PERMISSION

EC NO: 106044 DRWN: YMIZUNO02 CHK'D: YKOBAYASHI02 APPR: TKUSUHARA01	2016/10/12	2016/12/28	2016/12/28	GENERAL TOLERANCES (UNLESS SPECIFIED) ANGULAR TOL $\pm 3.0^\circ$ 4 PLACES ± 0.2 3 PLACES ± 0.2 2 PLACES ± 0.2 1 PLACE ± 0.2 0 PLACES ± 0.2 DRAFT WHERE APPLICABLE MUST REMAIN WITHIN DIMENSIONS	DIMENSION UNITS	SCALE	
	RELEASED	2016/10/12	2016/12/28		MM	---	
	DRWN BY	DATE	DATE		DRWN BY	DATE	
	YMIZUNO02	2016/10/12	2016/12/28		YKOBAYASHI02	2016/12/28	
	TKUSUHARA01	2016/12/28	TKUSUHARA01		2016/12/28		
A	REV	DRAWING SIZE		THIRD ANGLE PROJECTION	PRODUCT CUSTOMER DRAWING SERIES: 52610 MATERIAL NUMBER: SEE CHART CUSTOMER: GENERAL DOCUMENT NUMBER: 526100000 DOC TYPE: PSD DOC PART: 000 SHEET NUMBER: 3 OF 5		

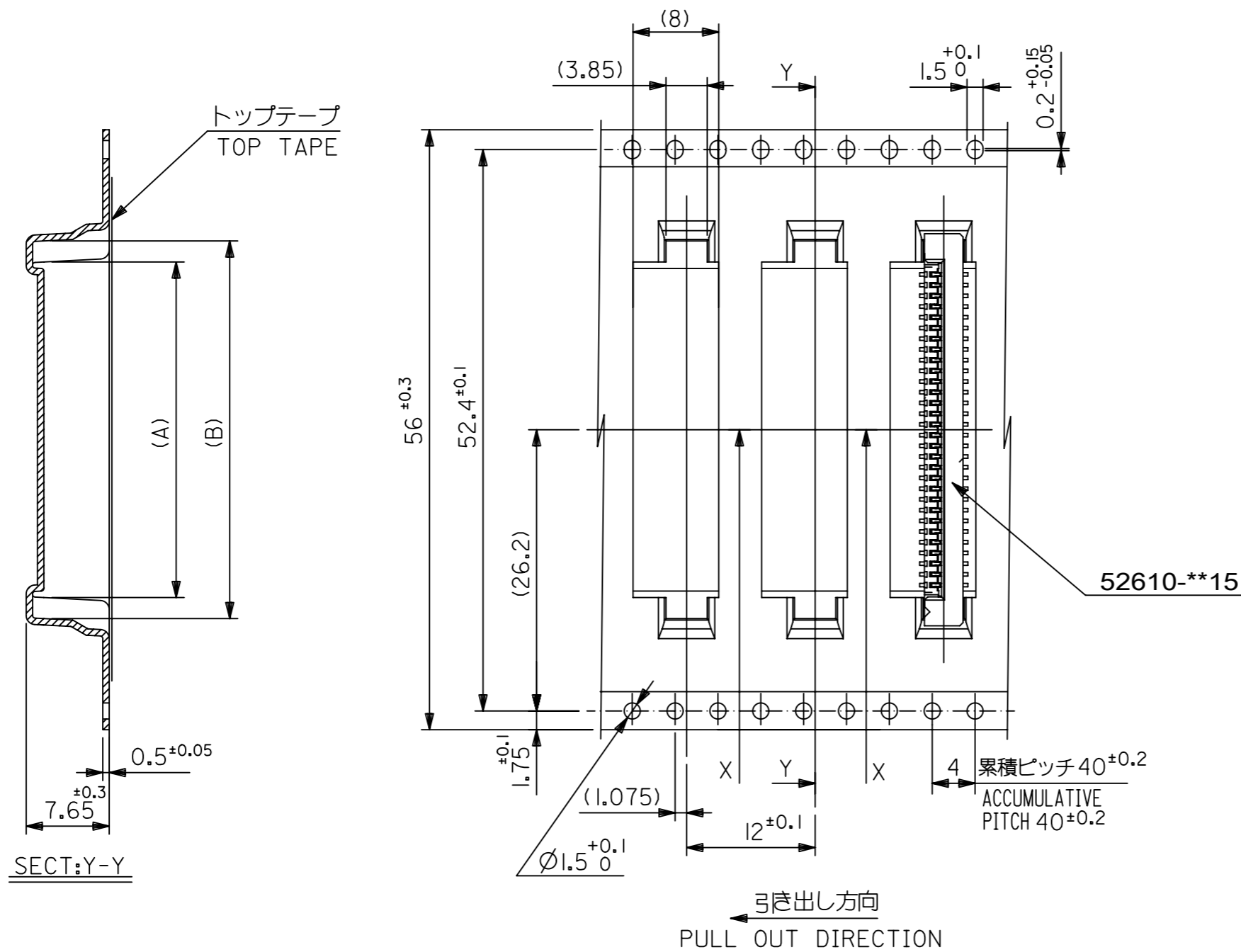
RELEASE STATUS	RELEASE DATE
----------------	--------------



44	49.4	45.4	31.25	27.32	52610-2672	26		
			30.25	26.32	52610-2572	25		
			29.25	25.32	52610-2472	24		
			28.25	24.32	52610-2372	23		
			27.25	23.32	52610-2272	22		
			26.25	22.32	52610-2172	21		
			25.25	21.32	52610-2072	20		
			24.25	20.32	52610-1972	19		
			23.25	19.32	52610-1872	18		
			22.25	18.32	52610-1772	17		
21.25	17.32	52610-1672	16					
キャリアテープ幅 CARRIER TAPE WIDTH			D	C	(B)	(A)	MATERIAL NO.	極数 CKT

THIS DRAWING CONTAINS INFORMATION THAT IS PROPRIETARY TO MOLEX ELECTRONIC TECHNOLOGIES, LLC AND SHOULD NOT BE USED WITHOUT WRITTEN PERMISSION

EC NO: 106044 DRWN: YMIZUNO02 CHK'D: YKOBAYASHI02 APPR: TKUSUHARA01	2016/10/12	2016/12/28	GENERAL TOLERANCES (UNLESS SPECIFIED) ANGULAR TOL ± 3.0 ° 4 PLACES ± 0.2 3 PLACES ± 0.2 2 PLACES ± 0.2 1 PLACE ± 0.2 0 PLACES ± 0.2 DRAFT WHERE APPLICABLE MUST REMAIN WITHIN DIMENSIONS	DIMENSION UNITS	SCALE			
	RELEASED	2016/12/28		MM	---			
	DRWN BY	DATE		YMIZUNO02	2016/10/12		1.0 FPC CONN ZIF ASSY SMT ST EMBSTP PKG	
	CHK'D BY	DATE		YKOBAYASHI02	2016/12/28			
	APPR BY	DATE		TKUSUHARA01	2016/12/28			
A	REV	DRAWING SIZE	THIRD ANGLE PROJECTION	A3		PRODUCT CUSTOMER DRAWING		
RELEASE STATUS	RELEASE DATE	SERIES	MATERIAL NUMBER	CUSTOMER	DOCUMENT NUMBER	DOC TYPE	DOC PART	SHEET NUMBER
		52610	SEE CHART	GENERAL	526100000	PSD	000	4 OF 5

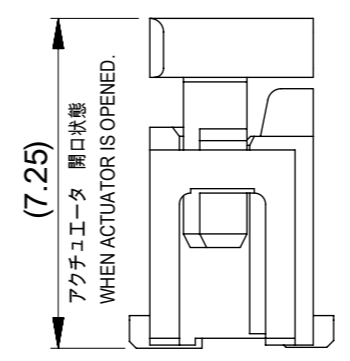
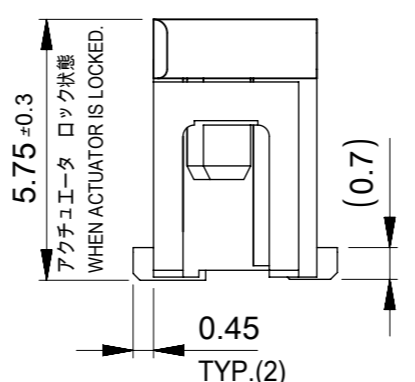
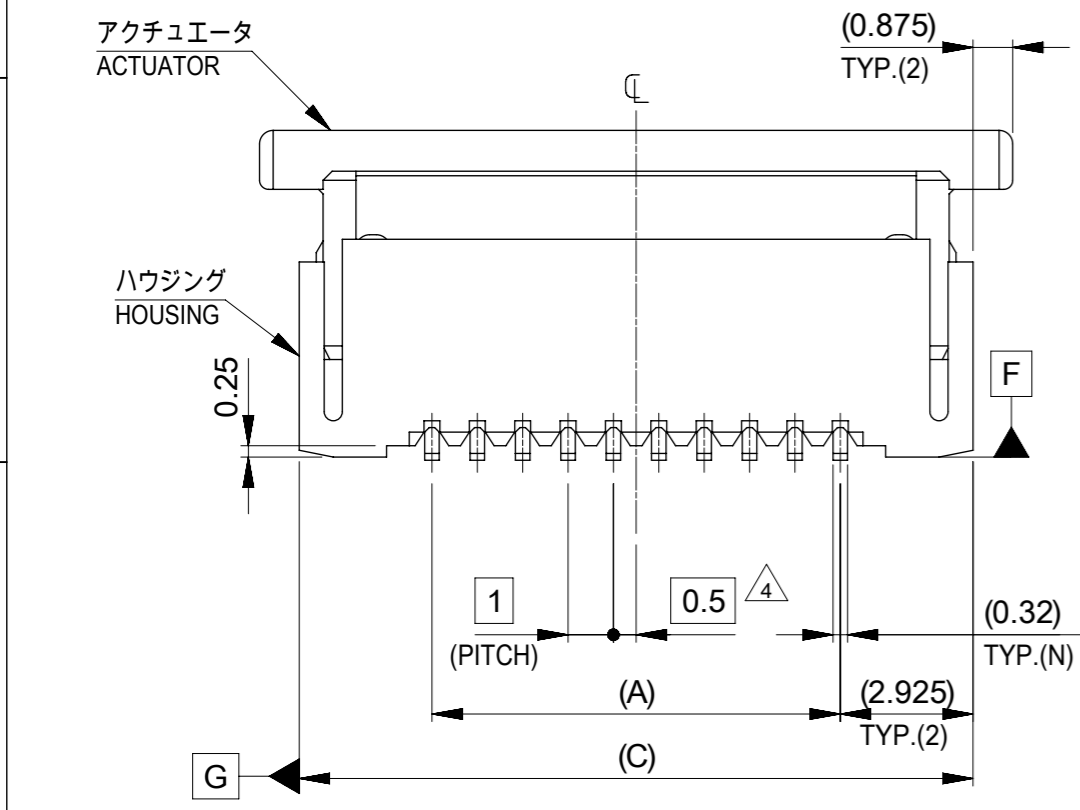
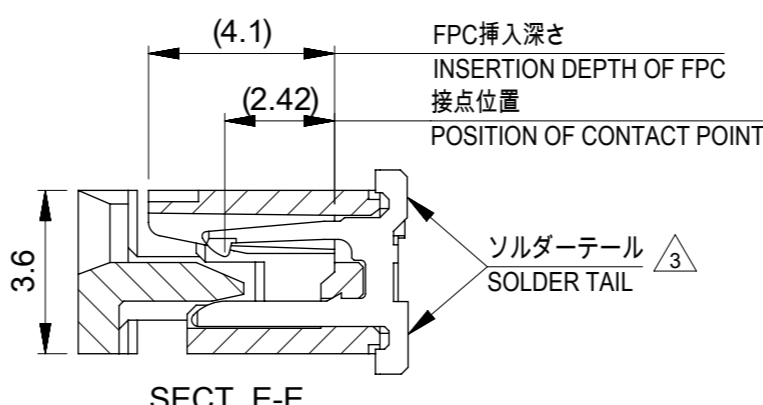
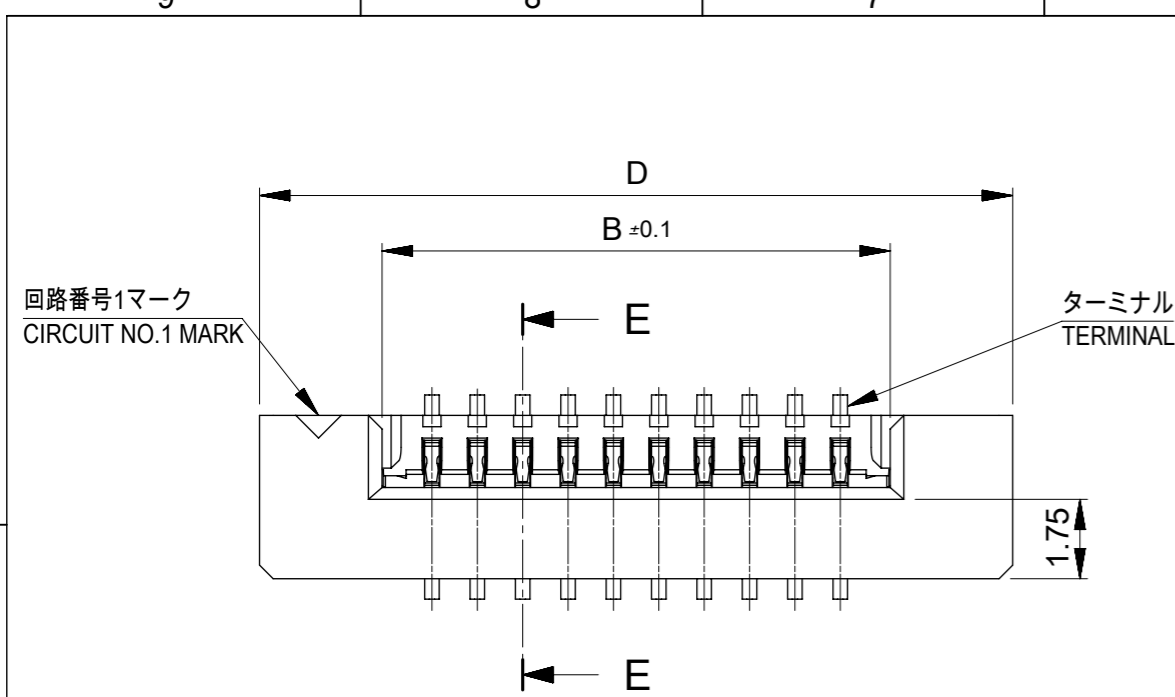


56	61.4	57.4	35.25	31.32	52610-3072	30
			33.25	29.32	52610-2872	28
キャリアテープ幅 CARRIER TAPE WIDTH	D	C	(B)	(A)	MATERIAL NO.	極数 CKT

THIS DRAWING CONTAINS INFORMATION THAT IS PROPRIETARY TO MOLEX ELECTRONIC TECHNOLOGIES, LLC AND SHOULD NOT BE USED WITHOUT WRITTEN PERMISSION

EC NO: 106044 DRWN: YMIZUNO02 CHK'D: YKOBAYASHI02 APPR: TKUSUHARA01	2016/10/12	GENERAL TOLERANCES (UNLESS SPECIFIED)	DIMENSION UNITS	SCALE				
	2016/12/28	ANGULAR TOL ± 3.0 °	MM	---				
	2016/12/28	4 PLACES ± 0.2	DRWN BY	DATE				
		3 PLACES ± 0.2	YMIZUNO02	2016/10/12				
		2 PLACES ± 0.2	CHK'D BY	DATE	1.0 FPC CONN ZIF ASSY SMT ST EMBSTP PKG			
		1 PLACE ± 0.2	YKOBAYASHI02	2016/12/28				
		0 PLACES ± 0.2	APPR BY	DATE	PRODUCT CUSTOMER DRAWING			
			TKUSUHARA01	2016/12/28				
		DRAFT WHERE APPLICABLE MUST REMAIN WITHIN DIMENSIONS	DRAWING SIZE	THIRD ANGLE PROJECTION	SERIES	MATERIAL NUMBER	CUSTOMER	
			A3		52610	SEE CHART	GENERAL	
					DOCUMENT NUMBER	DOC TYPE	DOC PART	SHEET NUMBER
					526100000	PSD	000	5 OF 5

RELEASE STATUS	RELEASE DATE
----------------	--------------



36.6	34.85	31.2	29	52610-3072	52610-3015	30
34.6	32.85	29.2	27	52610-2872	52610-2815	28
32.6	30.85	27.2	25	52610-2672	52610-2615	26
31.6	29.85	26.2	24	52610-2572	52610-2515	25
30.6	28.85	25.2	23	52610-2472	52610-2415	24
29.6	27.85	24.2	22	52610-2372	52610-2315	23
28.6	26.85	23.2	21	52610-2272	52610-2215	22
27.6	25.85	22.2	20	52610-2172	52610-2115	21
26.6	24.85	21.2	19	52610-2072	52610-2015	20
25.6	23.85	20.2	18	52610-1972	52610-1915	19
24.6	22.85	19.2	17	52610-1872	52610-1815	18
23.6	21.85	18.2	16	52610-1772	52610-1715	17
22.6	20.85	17.2	15	52610-1672	52610-1615	16
21.6	19.85	16.2	14	52610-1572	52610-1515	15
20.6	18.85	15.2	13	52610-1472	52610-1415	14
19.6	17.85	14.2	12	52610-1372	52610-1315	13
18.6	16.85	13.2	11	52610-1272	52610-1215	12
17.6	15.85	12.2	10	52610-1172	52610-1115	11
16.6	14.85	11.2	9	52610-1072	52610-1015	10
15.6	13.85	10.2	8	52610-0972	52610-0915	9
14.6	12.85	9.2	7	52610-0872	52610-0815	8
13.6	11.85	8.2	6	52610-0772	52610-0715	7
12.6	10.85	7.2	5	52610-0672	52610-0615	6
11.6	9.85	6.2	4	52610-0572	52610-0515	5
D	(C)	B	(A)	EMBOSSED PACKAGE	MATERIAL NO.	極数 CKT

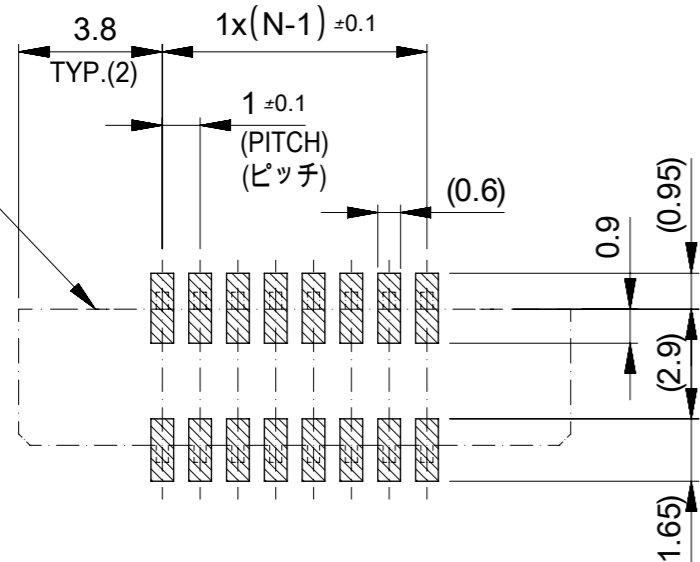
CONNECTOR SERIES NO. 52610-**15

THIS DRAWING CONTAINS INFORMATION THAT IS PROPRIETARY TO MOLEX ELECTRONIC TECHNOLOGIES, LLC AND SHOULD NOT BE USED WITHOUT WRITTEN PERMISSION

DIMENSION UNITS: mm	SCALE: ---	CURRENT REV DESC: REVISED	molex		
GENERAL TOLERANCES (UNLESS SPECIFIED)					
ANGULAR TOL ± 3.0°			PRODUCT CUSTOMER DRAWING		
4 PLACES ± 0.03			EC NO: 600129	2018/04/11	DOCUMENT NUMBER
3 PLACES ± 0.03			DRWN: YCHEN128	2018/04/11	526101000
2 PLACES ± 0.05			CHK'D: KTAKAHASHI	2018/04/12	DOC TYPE
1 PLACE ± 0.1			APPR: NUKITA	2018/04/13	000
0 PLACES ± 0.2			INITIAL REVISION:		
DRAFT WHERE APPLICABLE MUST REMAIN WITHIN DIMENSIONS			DRWN: YMIZUNO02	2016/10/12	DOC PART
THIRD ANGLE PROJECTION			APPR: TKUSUHARA01	2016/12/28	B
DRAWING: A3-SIZE			SERIES: 52610	MATERIAL NUMBER: SEE TABLE	CUSTOMER: GENERAL
SHEET NUMBER: 1 OF 2					

GENERAL TOLERANCES (UNLESS SPECIFIED)		
10 UNDER		±0.2
10 OVER	30 UNDER	±0.25
30 OVER		±0.3

コネクタ位置
CONNECTOR
LOCATION

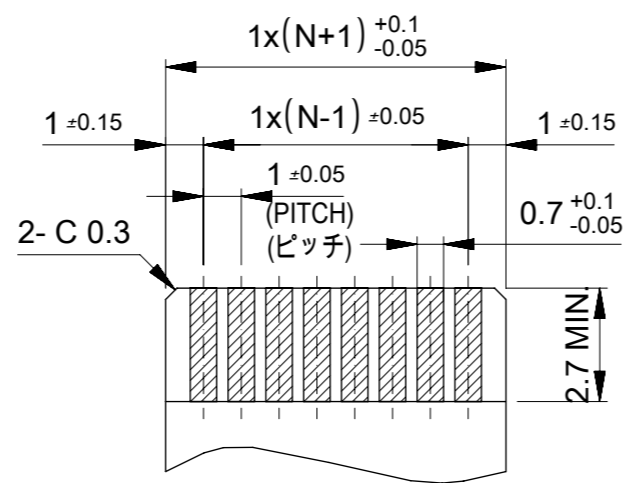


参考基盤レイアウト
RECOMMENDED P.C. BOARD
PATTERN LAYOUT (REFERENCE)

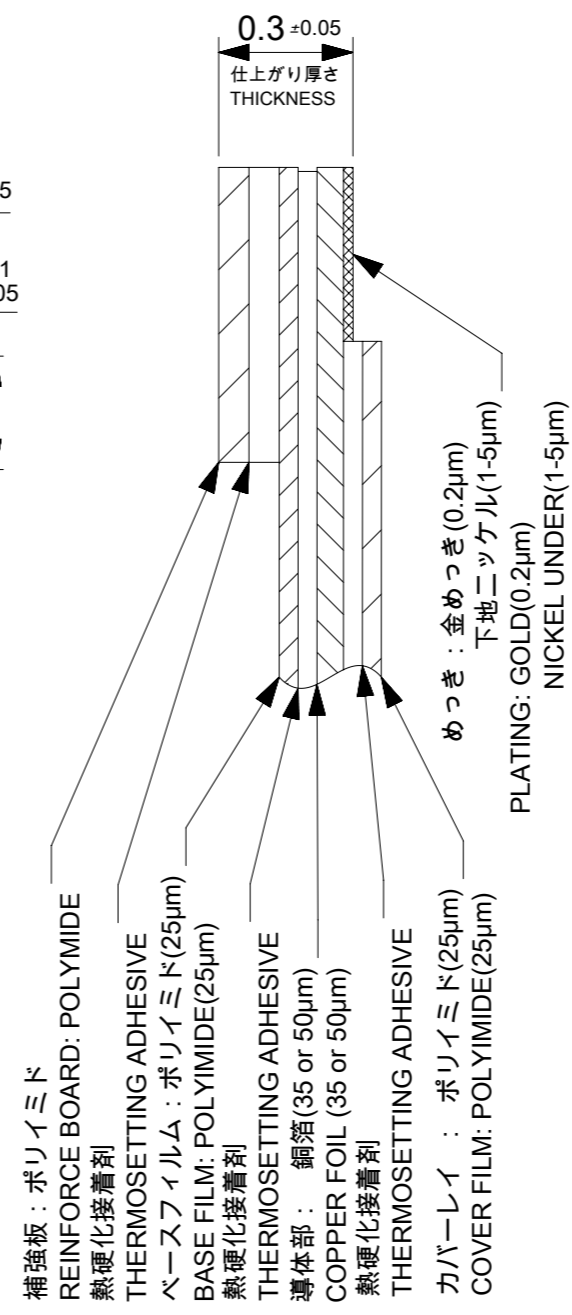
マスク厚 : 120μm
マスク開口率 : 100%
SCREEN THICKNESS : 120 MICROMETER
SCREEN OPEN RATIO : 100%

注記(NOTES):

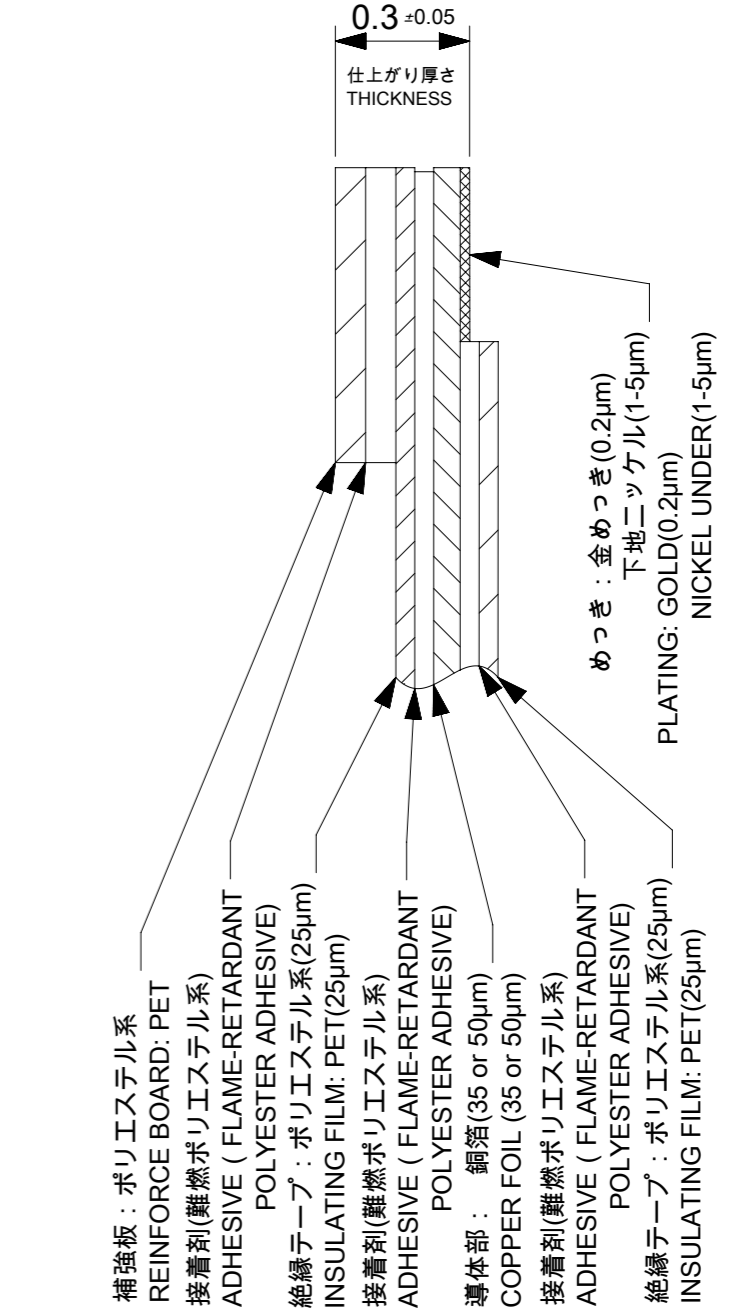
- 材質 MATERIAL
ハウジング : 46ナイロン、ガラス充填、UL94V-0、ナチュラル(白色)
アクチュエータ : PPS、ナチュラル(茶色)、ガラス充填、UL94V-0
ターミナル : リン青銅(t=0.32)
HOUSING : 46NYLON, GLASS FILLED, UL94V-0, NATURAL(WHITE)
ACTUAOR : PPS, NATURAL(BROWN), GLASS FILLED, UL94V-0
TERMINAL : PHOSPHOR BRONZE(t=0.32)
- めっき仕様 PLATING
ターミナル TERMINAL
接点部 : 金めっき(0.1μm以上)
テール部 : 錫めっき(1.0μm以上)
下地 : ニッケルめっき(1.0μm以上)
CONTACT : GOLD PLATING (0.1 MICROMETER MINIMUM)
TAIL : MATTE TIN (1.0 MICROMETER MINIMUM)
UNDER PLATE : NICKEL PLATING (1.0 MICROMETER MINIMUM)
- 3 ソルダーテール半田付け面のズレ量は、基準面 F に対し
上方向0.05MAX.、下方向0.15MAX.とする。
MISALIGNMENT OF SOLDER TAILS FROM F UPPER DIREVTION : 0.05 MAX.
LOWER DIRECTION : 0.15 MAX.
- 4 偶数極に適用。
APPLY FOR EVEN CIRCUIT.
- エンボステーブ梱包時は、アクチュエータがロックした状態とする。
IN THE PACKAGE, ACTUATOR SHOULD BE LOCKED.
- 本製品は52610シリーズの接点金めっき品である。
THIS PRODUCT IS Au-CONTACT OF 52610 SERIES.



適合FPC/FFC推奨寸法
APPLICABLE FPC/FFC
RECOMMENDED DIMENSION
(仕上がり厚さ : 0.3±0.05)
(THICKNESS : 0.3±0.05)



FPC構成推奨仕様
RECOMMENDED STRUCTURE OF FPC



FFC構成推奨仕様
RECOMMENDED STRUCTURE OF FFC

FPC/FFCについて :

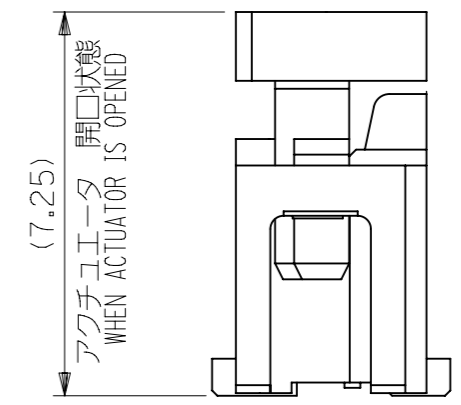
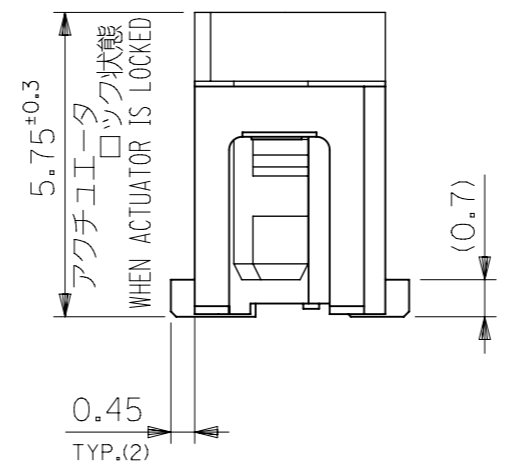
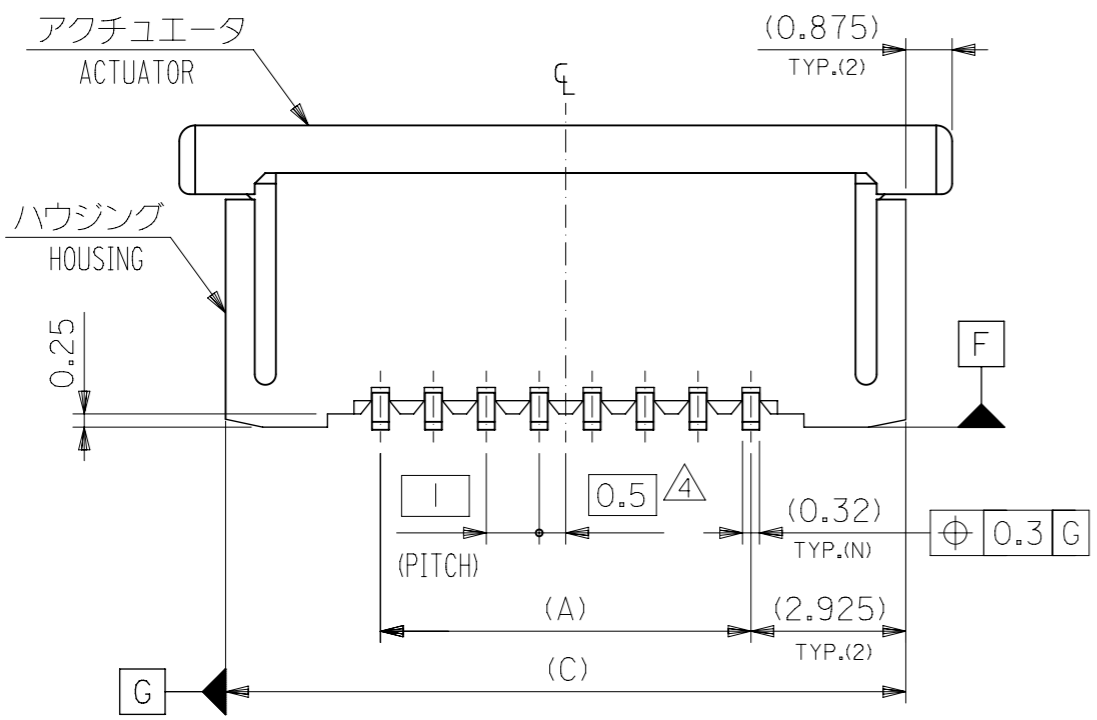
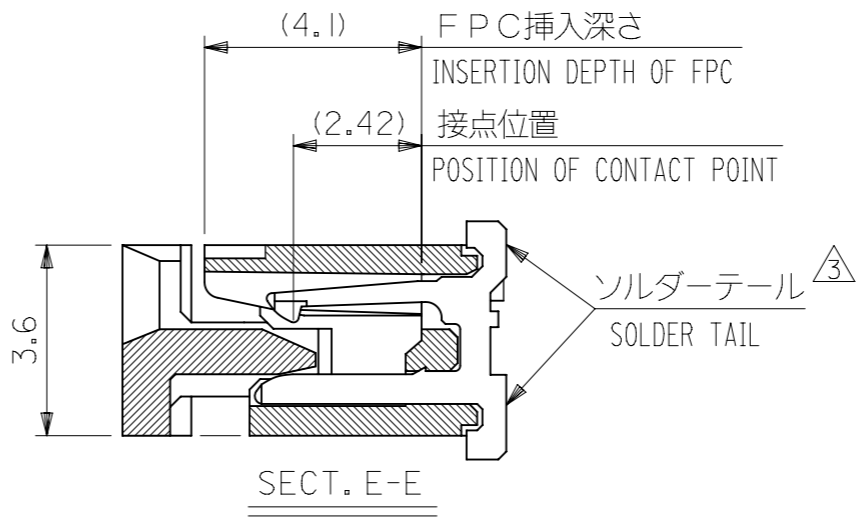
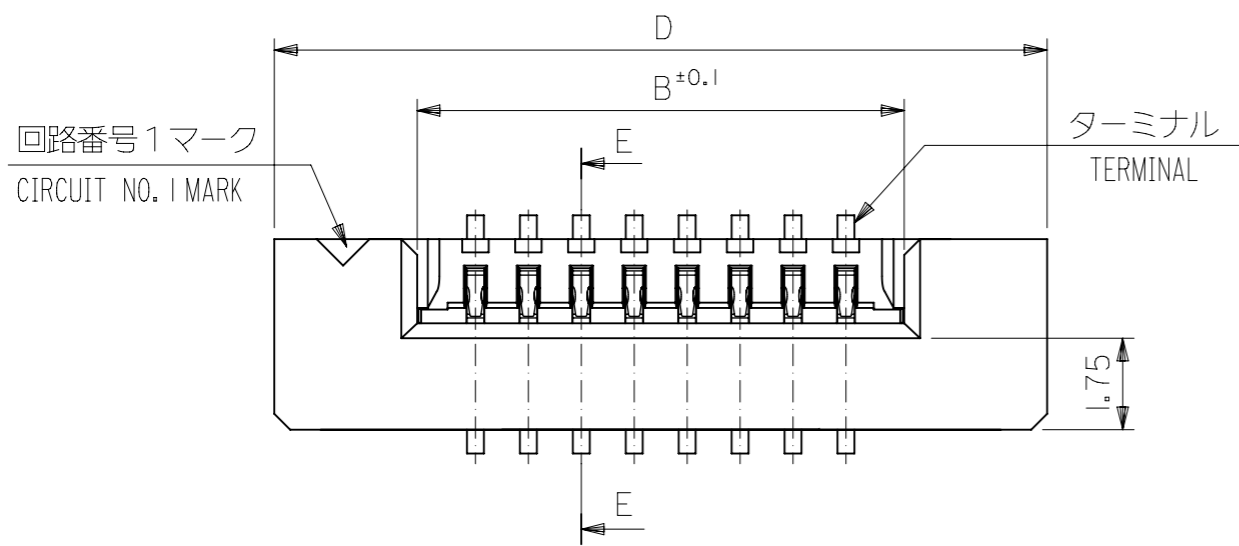
抜き方向は、導体側から補強板側を推奨致します。
尚、接着剤の接点部への付着は導通不良の原因になりますので、
染み出しが無い様お願い致します。

ABOUT FPC/FFC:

RECOMMENDED PUNCHER DIRECTION:
FROM CONDUCTOR SIDE TO STIFFNER SIDE
PLEASE PUT APPROPRIATE AMOUNT OF ADHESIVE ON ADHEREND
BECAUSE THERE IS A POSSIBILITY THAT THE EXTRA ADHESIVE
CAUSES THE DEFECT IN ELECTRICAL CONTINUITY.

THIS DRAWING CONTAINS INFORMATION THAT IS PROPRIETARY TO MOLEX ELECTRONIC TECHNOLOGIES, LLC AND SHOULD NOT BE USED WITHOUT WRITTEN PERMISSION													
DIMENSION UNITS		SCALE		CURRENT REV DESC: REVISED				molex		1.0 FPC CONN ZIF S/T HOUSING ASSY			
mm		---											
GENERAL TOLERANCES (UNLESS SPECIFIED)				EC NO: 600129				PRODUCT CUSTOMER DRAWING					
ANGULAR TOL ± 3.0°				DRWN: YCHEN128 2018/04/11									
4 PLACES ± 0.03				CHK'D: KTAKAHASHI 2018/04/12									
3 PLACES ± 0.03				APPR: NUKITA 2018/04/13				DOCUMENT NUMBER: 526101000					
2 PLACES ± 0.05				INITIAL REVISION:									
1 PLACE ± 0.1				DRWN: YMIZUNO02 2016/10/12				DOC TYPE: PSD		DOC PART: 000		REVISION: B	
0 PLACES ± 0.2				APPR: TKUSUHARA01 2016/12/28				MATERIAL NUMBER: SEE TABLE		CUSTOMER: GENERAL		SHEET NUMBER: 2 OF 2	
DRAFT WHERE APPLICABLE MUST REMAIN WITHIN DIMENSIONS				THIRD ANGLE PROJECTION		DRAWING: A3-SIZE		SERIES: 52610					

GENERAL TOLERANCES (UNLESS SPECIFIED)		
10 UNDER		±0.2
10 OVER 30 UNDER		±0.25
30 OVER		±0.3



52610-**15 MODEL NO.

THIS DRAWING CONTAINS INFORMATION THAT IS PROPRIETARY TO MOLEX ELECTRONIC TECHNOLOGIES, LLC AND SHOULD NOT BE USED WITHOUT WRITTEN PERMISSION

SCALE: mm NTS

GENERAL TOLERANCES (UNLESS SPECIFIED)	
PLACES	TOLERANCE
4 PLACES	±
3 PLACES	±
2 PLACES	±
1 PLACE	±
0 PLACES	±

CURRENT REV DESC: MIGRATED TO NX
 EC NO: 626177
 DRWN: RPRABHUM 2019/10/01
 CHK'D: GGA 2019/10/30
 APPR: GGA 2019/10/30
 INITIAL REVISION:
 DRWN: M.NABEI 2005/07/21
 APPR: N.UKITA 2005/07/21

molex

1.0 FPC CONN ZIF FOR SMT ST-LEAD FREE-

PRODUCT CUSTOMER DRAWING

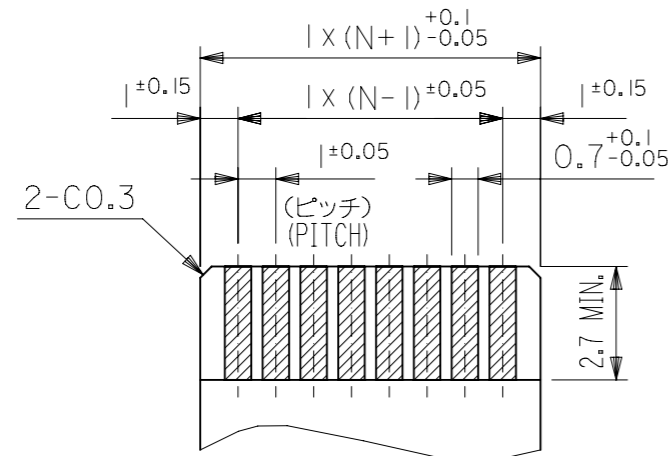
DOCUMENT NUMBER	DOC TYPE	DOC PART	REVISION
SD-52610-036	PSD	001	G1

GENERAL TOLERANCES (UNLESS SPECIFIED)

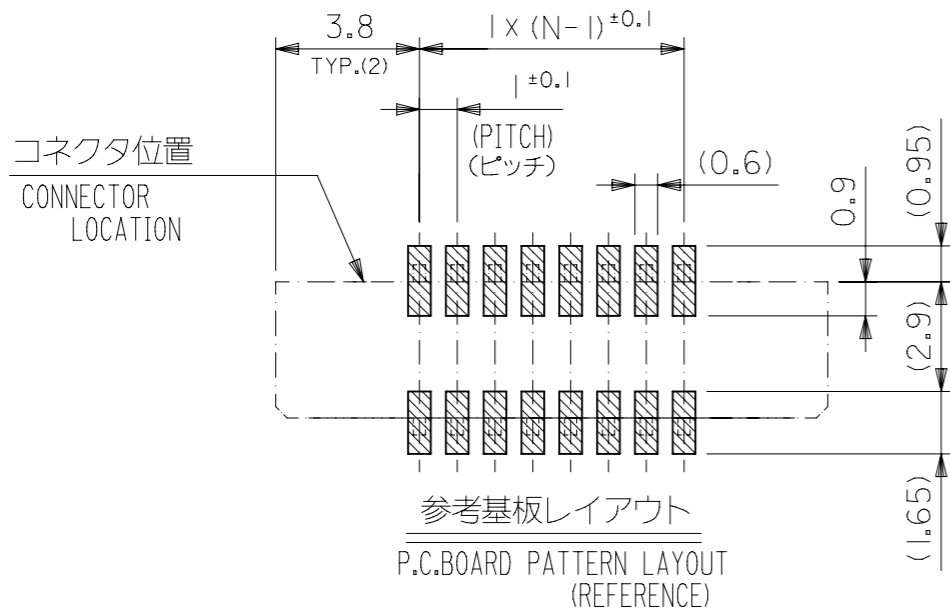
10 ^{UNDER}	±0.2
10 ^{OVER} 30 ^{UNDER}	±0.25
30 ^{OVER}	±0.3

ANGULAR TOL ± 3.0°
 DRAFT WHERE APPLICABLE MUST REMAIN WITHIN DIMENSIONS

THIRD ANGLE PROJECTION	DRAWING	SERIES	MATERIAL NUMBER	CUSTOMER	SHEET NUMBER
	A3-SIZE	52610	SEE TABLE	GENERAL MARKET	1 OF 2



適合FPC推奨寸法
APPLICABLE FPC RECOMMENDED DIM.
仕上がり厚さ(THICKNESS): 0.3±0.05



注記(NOTES):

1. 材料(MATERIAL)

ハウジング (HOUSING): 46NYLON , UL94V-0
 アクチュエータ(ACTUATOR): PPS , UL94V-0
 ターミナル(TERMINAL): リン青銅 (t0.32)

△ 偶数極に適用。
APPLY FOR EVEN CIRCUIT.

5. 本製品は52610シリーズの接点金メッキ品である。
THIS PRODUCT IS Au-CONTACT OF 52610 SERIES.

PHOS-BRO
 接点部: 金メッキ 0.1μm 以上
 テール部: 錫メッキ 1μm 以上
 下地: ニッケルメッキ 1μm 以上
 CONTACT: GOLD 0.1 MICROMETER MINIMUM
 TAIL: MATTE TIN 1 MICROMETER MINIMUM
 NICKEL: UNDER 1 MICROMETER MINIMUM

2. エンボステープ梱包時は、アクチュエータがロックした状態とする。
IN THE PACKAGE, ACTUATOR OF PART NO. 52610-**59 SHOULD BE LOCKED.

△3 ソルダータール半田付け面のズレ量は、基準面 [F] に対し上方向 0.05 MAX.
下方向 0.15 MAX. とする。
MISALIGNMENT OF SOLDER TAILS FROM [F] UPPER DIRECTION : 0.05 MAX.,
LOWER DIRECTION : 0.15 MAX.

36.6	34.85	31.2	29	52610-3072	52610-3015	30
32.6	30.85	27.2	25	52610-2672	52610-2615	26
31.6	29.85	26.2	24	52610-2572	52610-2515	25
30.6	28.85	25.2	23	52610-2472	52610-2415	24
28.6	26.85	23.2	21	52610-2272	52610-2215	22
26.6	24.85	21.2	19	52610-2072	52610-2015	20
25.6	23.85	20.2	18	52610-1972	52610-1915	19
24.6	22.85	19.2	17	52610-1872	52610-1815	18
23.6	21.85	18.2	16	52610-1772	52610-1715	17
22.6	20.85	17.2	15	52610-1672	52610-1615	16
21.6	19.85	16.2	14	52610-1572	52610-1515	15
20.6	18.85	15.2	13	52610-1472	52610-1415	14
19.6	17.85	14.2	12	52610-1372	52610-1315	13
18.6	16.85	13.2	11	52610-1272	52610-1215	12
17.6	15.85	12.2	10	52610-1172	52610-1115	11
16.6	14.85	11.2	9	52610-1072	52610-1015	10
15.6	13.85	10.2	8	52610-0972	52610-0915	9
14.6	12.85	9.2	7	52610-0872	52610-0815	8
12.6	10.85	7.2	5	52610-0672	52610-0615	6
11.6	9.85	6.2	4	52610-0572	52610-0515	5

52610-**15 MODEL NO.	D	(C)	B	(A)	EMBOSSSED TAPE	MATERIAL. NO.	極数 CKT.
					ORDER No. オーダー番号		

THIS DRAWING CONTAINS INFORMATION THAT IS PROPRIETARY TO MOLEX ELECTRONIC TECHNOLOGIES, LLC AND SHOULD NOT BE USED WITHOUT WRITTEN PERMISSION

DIMENSION UNITS		SCALE		CURRENT REV DESC: MIGRATED TO NX				molex			
mm		NTS									
GENERAL TOLERANCES (UNLESS SPECIFIED)								1.0 FPC CONN ZIF FOR SMT ST -LEAD FREE-			
GENERAL TOLERANCES (UNLESS SPECIFIED)								PRODUCT CUSTOMER DRAWING			
4 PLACES ±								DOCUMENT NUMBER			
3 PLACES ±								SD-52610-036			
2 PLACES ±								DOC TYPE			
1 PLACE ±								PSD			
0 PLACES ±								DOC PART			
ANGULAR TOL ± 3.0°								REVISION			
DRAFT WHERE APPLICABLE MUST REMAIN WITHIN DIMENSIONS								G1			
THIRD ANGLE PROJECTION								SERIES			
DRAWING								MATERIAL NUMBER			
A3-SIZE								CUSTOMER			
52610								SEE TABLE			
GENERAL MARKET								SHEET NUMBER			
2 OF 2											

注記 (NOTES) :

1. 材料 (MATERIAL)

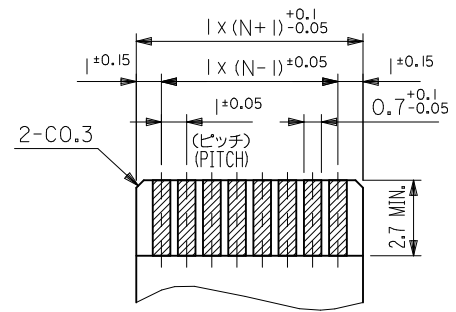
ハウジング (HOUSING) : 46NYLON , UL94V-0
 アクチュエータ (ACTUATOR) : PPS , UL94V-0
 ターミナル (TERMINAL) : リン青銅 (t O. 32)

△ 偶数極に適用。
 APPLY FOR EVEN CIRCUIT.

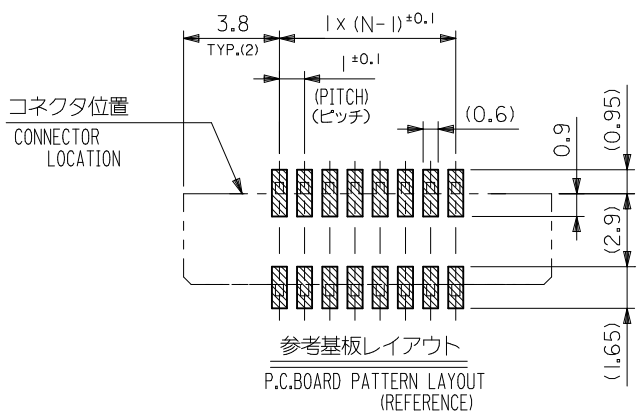
5. 本製品は 52610 シリーズの接点金メッキ品である。
 THIS PRODUCT IS Au-CONTACT OF 52610 SERIES.

PHOS-BRO
 接点部 : 金メッキ 0.1μm 以上
 テール部 : 錫メッキ 1μm 以上
 下地 : ニッケルメッキ 1μm 以上
 CONTACT : GOLD 0.1 MICROMETER MINIMUM
 TAIL : MATTE TIN 1 MICROMETER MINIMUM
 NICKEL : UNDER 1 MICROMETER MINIMUM

2. エンボステープ梱包時は、アクチュエータがロックした状態とする。
 IN THE PACKAGE , ACTUATOR OF PART NO. 52610-**59 SHOULD BE LOCKED.
- △3 ソルダータール半田付け面のズレ量は、基準面 [F] に対し上方向 0.05 MAX.
 下方向 0.15 MAX. とする。
 MISALIGNMENT OF SOLDER TAILS FROM [F] UPPER DIRECTION : 0.05 MAX. ,
 LOWER DIRECTION : 0.15 MAX.



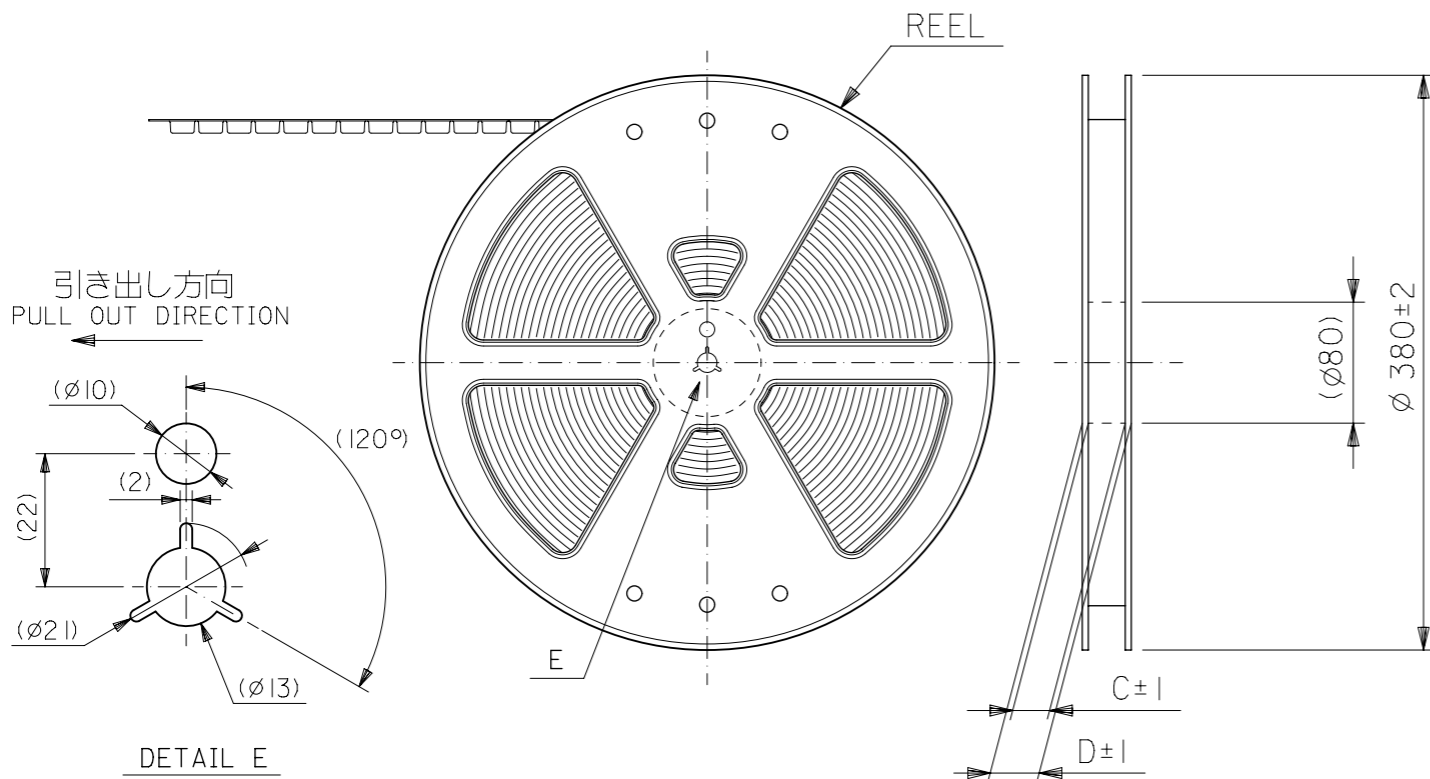
適合 FPC 推奨寸法
 APPLICABLE FPC RECOMMENDED DIM.
 仕上がり厚さ (THICKNESS) : 0.3 ± 0.05



36.6	34.85	31.2	29	52610-3072	52610-3015	30
32.6	30.85	27.2	25	52610-2672	52610-2615	26
31.6	29.85	26.2	24	52610-2572	52610-2515	25
30.6	28.85	25.2	23	52610-2472	52610-2415	24
28.6	26.85	23.2	21	52610-2272	52610-2215	22
26.6	24.85	21.2	19	52610-2072	52610-2015	20
25.6	23.85	20.2	18	52610-1972	52610-1915	19
24.6	22.85	19.2	17	52610-1872	52610-1815	18
23.6	21.85	18.2	16	52610-1772	52610-1715	17
22.6	20.85	17.2	15	52610-1672	52610-1615	16
21.6	19.85	16.2	14	52610-1572	52610-1515	15
20.6	18.85	15.2	13	52610-1472	52610-1415	14
19.6	17.85	14.2	12	52610-1372	52610-1315	13
18.6	16.85	13.2	11	52610-1272	52610-1215	12
17.6	15.85	12.2	10	52610-1172	52610-1115	11
16.6	14.85	11.2	9	52610-1072	52610-1015	10
15.6	13.85	10.2	8	52610-0972	52610-0915	9
14.6	12.85	9.2	7	52610-0872	52610-0815	8
12.6	10.85	7.2	5	52610-0672	52610-0615	6
11.6	9.85	6.2	4	52610-0572	52610-0515	5

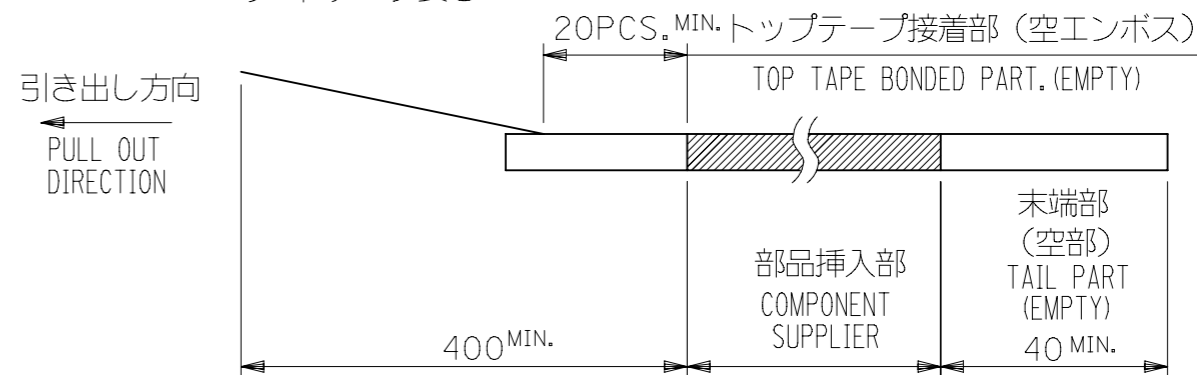
52610-**15	D	(C)	B	(A)	EMBOSSSED TAPE	MATERIAL. NO.	極数 CKT.
MODEL NO.					ORDER No. オーダー番号		

REVISED EC NO. : J2012-0856 DRW:KMIYAHARA 2012/01/05 CHKD:KMIYAHARA 2012/01/05 APP:KMORIKAWA 2012/02/07	DESCRIPTION GENERAL TOLERANCES (UNLESS SPECIFIED)	10 UNDER ± 0.2	DIMENSION STYLE MM ONLY	SCALE DESIGN UNITS METRIC	THIRD ANGLE PROJECTION	TITLE 1.0 FPC CONN ZIF FOR SMT ST -LEAD FREE-	MOLEX INCORPORATED	DOCUMENT NO. SD-52610-036	SHEET NO. 2 OF 2		
		10 OVER 30 UNDER ± 0.25								DRAWN BY M. NABEI	DATE '05/07/21
		30 OVER ± 0.3								CHECKED BY K. TOYODA	DATE '05/07/21
		ANGULAR ± 3 °								APPROVED BY N. UKITA	DATE '05/07/21
	DRAFT WHERE APPLICABLE MUST REMAIN WITHIN DIMENSIONS	SEE TABLE	THIS DRAWING CONTAINS INFORMATION THAT IS PROPRIETARY TO MOLEX INCORPORATED AND SHOULD NOT BE USED WITHOUT WRITTEN PERMISSION								



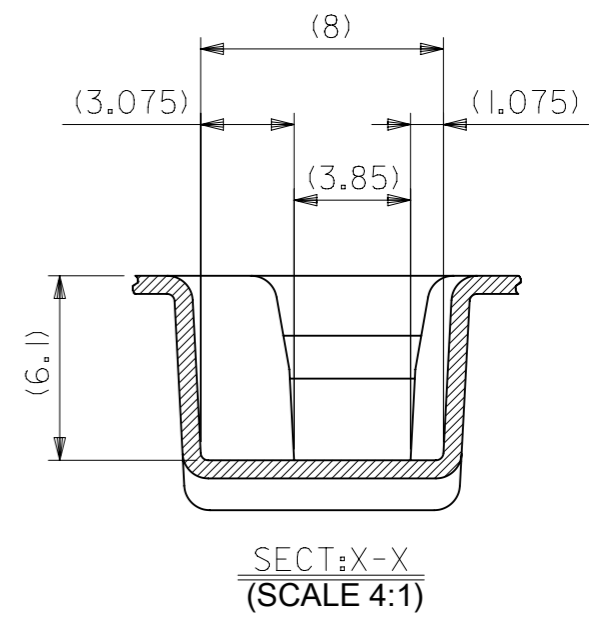
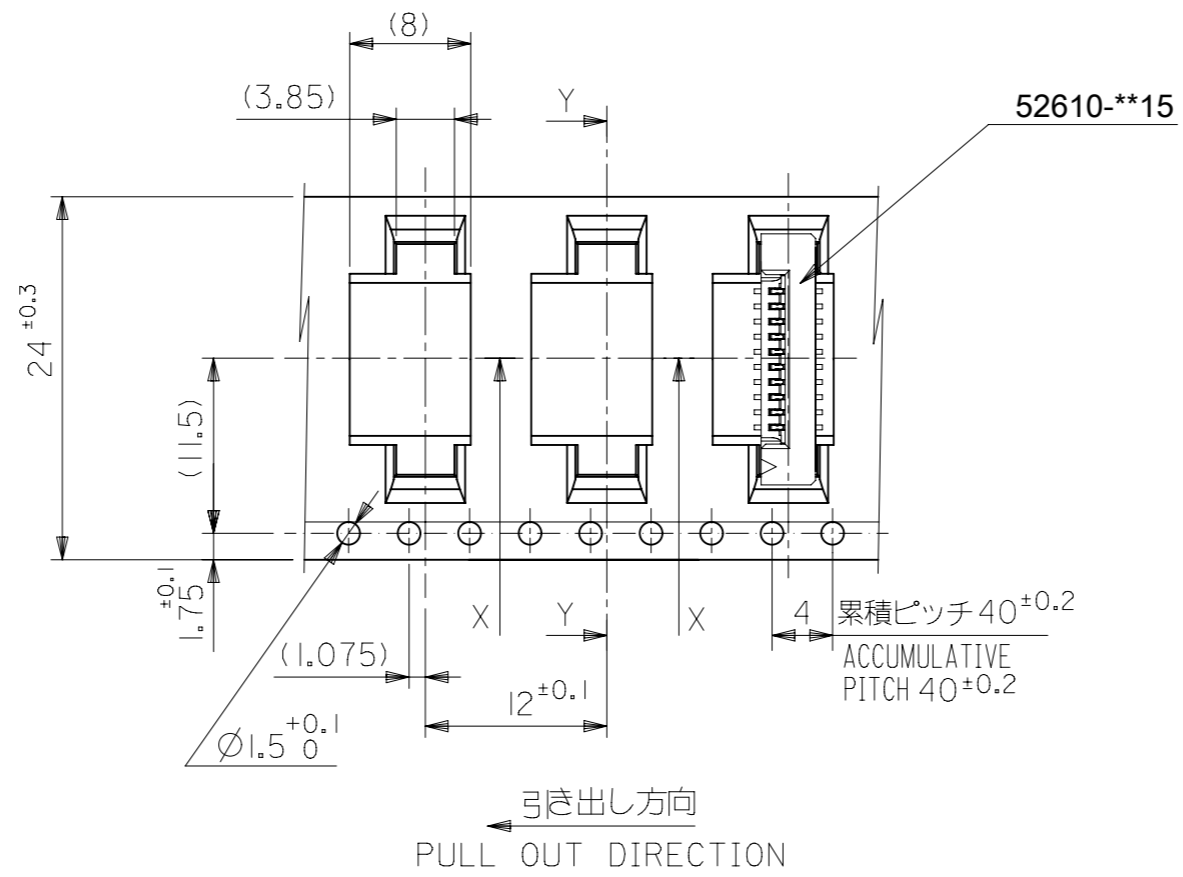
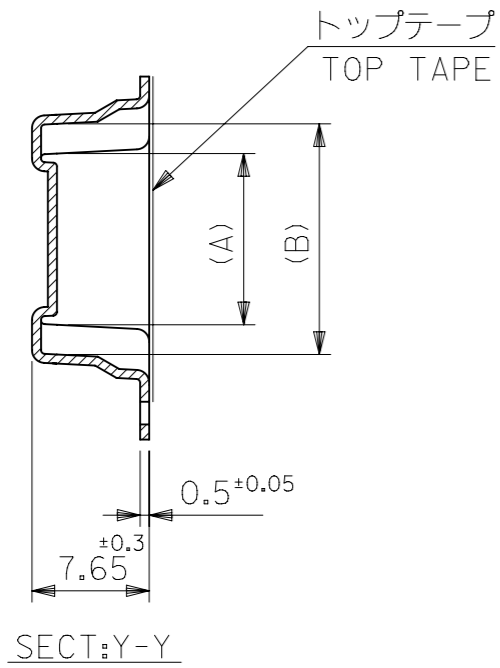
NOTES

- 梱包数量：1000個/リール
NUMBER OF CONNECTORS : 1000PCS/REEL
- リードテープ長さ LEAD TAPE LENGTH
20PCS. MIN. トップテープ接着部 (空エンボス)
TOP TAPE BONDED PART. (EMPTY)
部品挿入部
COMPONENT SUPPLIER
末端部 (空部)
TAIL PART (EMPTY)
40 MIN.
- 52610-**15 のアクチュエータはハウジング内に押し下げた状態とする。
詳細寸法については図面 SD-52610-036 を参照下さい。
ACTUATOR OF PART NO. 52610-**15 SHULD BE LOCKED.
RE DETAILED DIMENSIONS , SEE SD-52610-036.
- 材料 (MATERIAL)
キャリアテープ (CARRIER TAPE) : ポリプロピレン (POLYPROPYLENE)
トップテープ (TOPTAPE) : PET , PE , PEF
リール (REEL) : ポリスチレン (PS) <リサイクル材を含む>
POLYSTYRENE (PS) <RECYCLE MATERIAL CONTAINED>
- 本製品は 52610 シリーズの接点金メッキ品である。
THIS PRODUCT IS Au-CONTACT OF 52610 SERIES.
- 本製品は乾燥剤入り、ハイバリア梱包仕様である。
THIS PRODUCT IS HIGH BARRIER PACKAGE WITH DESICCANT.



PENDING APPROVAL

52610-**72		MODEL NO.	
THIS DRAWING CONTAINS INFORMATION THAT IS PROPRIETARY TO MOLEX ELECTRONIC TECHNOLOGIES, LLC AND SHOULD NOT BE USED WITHOUT WRITTEN PERMISSION			
DIMENSION UNITS: mm SCALE: NTS GENERAL TOLERANCES (UNLESS SPECIFIED): 4 PLACES: ±0.2 3 PLACES: ±0.25 2 PLACES: ±0.3 1 PLACE: ±0.4 0 PLACES: ±0.5 ANGULAR TOL: ±3.0° DRAFT WHERE APPLICABLE MUST REMAIN WITHIN DIMENSIONS		CURRENT REV DESC: MIGRATED TO NX EC NO: 626177 DRWN: RPRABHUM CHK'D: APPR: INITIAL REVISION: DRWN: M.NABEI APPR: N.UKITA 2019/10/01 2005/07/21 2005/07/21	
DOCUMENT NUMBER: SD-52610-037 DOC TYPE: PSD DOC PART: 001 REVISION: F1		PRODUCT CUSTOMER DRAWING 1.0 FPC CONN SMT ZIF EMBSTP PKG -LEAD FREE-	
DOCUMENT STATUS: RQ RELEASE DATE:	MATERIAL NUMBER: SEE TABLE CUSTOMER: GENERAL MARKET SHEET NUMBER: 1 OF 5	DRAWING: A3-SIZE SERIES: 52610	THIRD ANGLE PROJECTION:



BENDING APPROVAL
52610-**72
MODEL NO.

24	29.4	25.4	15.25	11.32	52610-1072	10		
			14.25	10.32	52610-0972	9		
			13.25	9.32	52610-0872	8		
			11.25	7.32	52610-0672	6		
			10.25	6.32	52610-0572	5		
キャリアテープ幅 CARRIER TAPE WIDTH			D	C	(B)	(A)	MATERIAL. NO.	極数 CKT.

THIS DRAWING CONTAINS INFORMATION THAT IS PROPRIETARY TO MOLEX ELECTRONIC TECHNOLOGIES, LLC AND SHOULD NOT BE USED WITHOUT WRITTEN PERMISSION

CURRENT REV DESC: MIGRATED TO NX

molex

1.0 FPC CONN SMT ZIF
EMBSTP PKG -LEAD FREE-

PRODUCT CUSTOMER DRAWING

EC NO: 626177
DRWN: RPRABHUM 2019/10/01
CHK'D:
APPR:

INITIAL REVISION:
DRWN: M.NABEI 2005/07/21
APPR: N.UKITA 2005/07/21

DOCUMENT NUMBER: SD-52610-037
DOC TYPE: PSD
DOC PART: 001
REVISION: F1

DRAFT WHERE APPLICABLE MUST REMAIN WITHIN DIMENSIONS

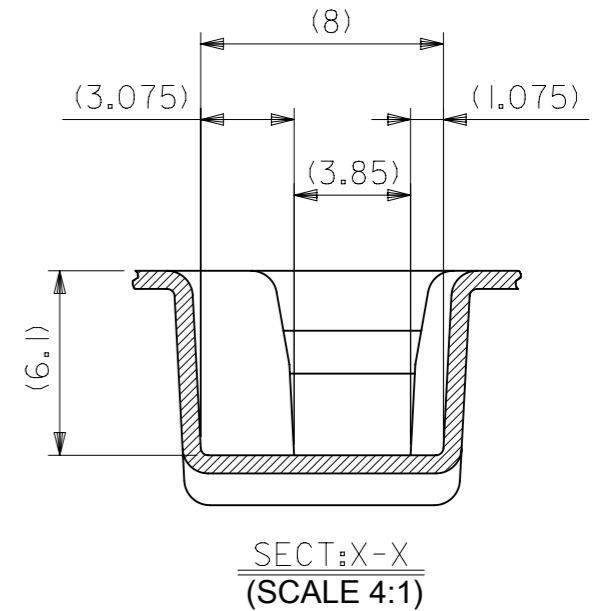
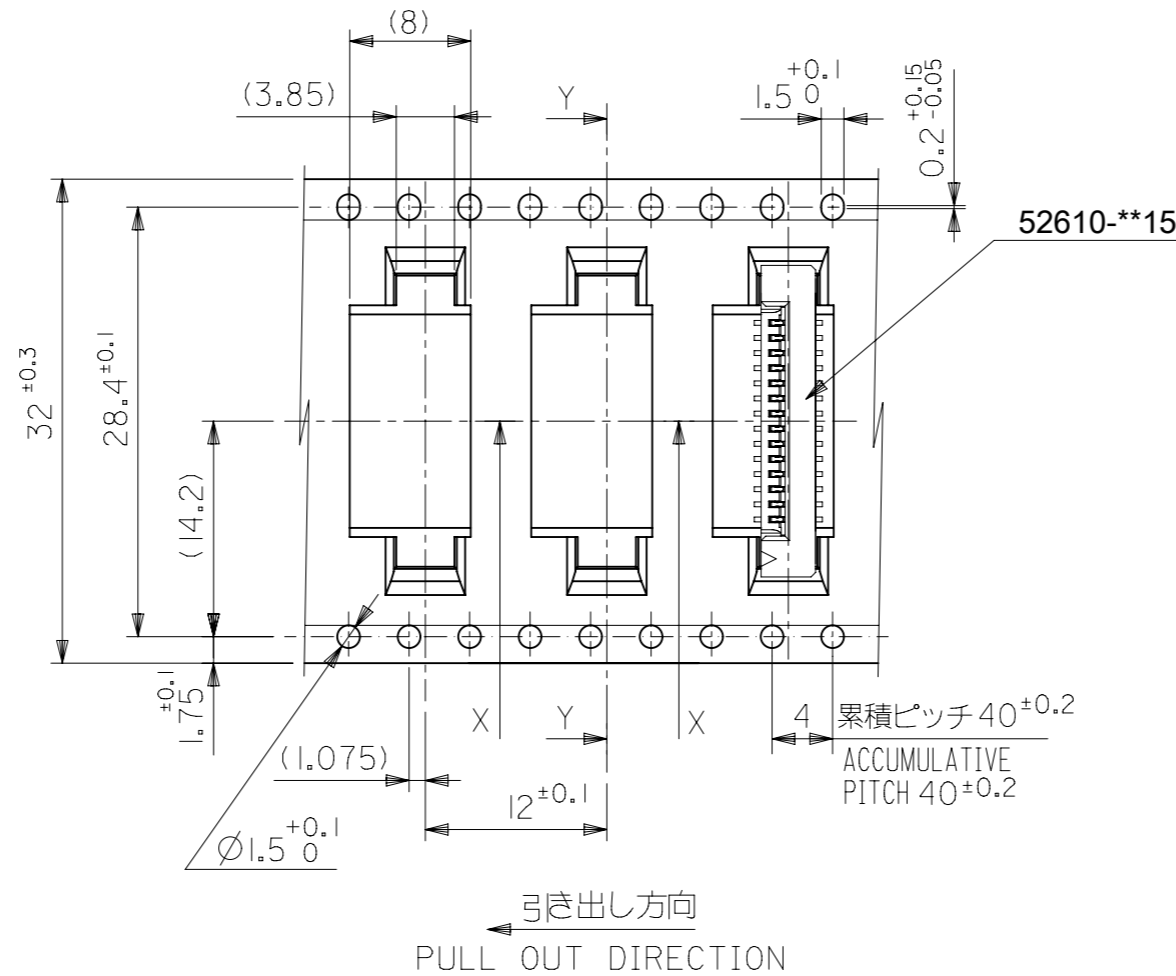
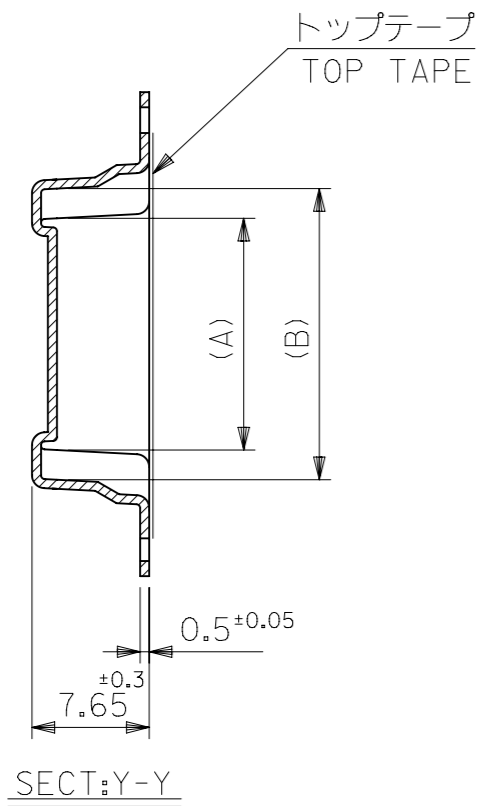
THIRD ANGLE PROJECTION

DRAWING: A3-SIZE
SERIES: 52610
MATERIAL NUMBER: SEE TABLE
CUSTOMER: GENERAL MARKET
SHEET NUMBER: 2 OF 5

GENERAL TOLERANCES (UNLESS SPECIFIED)

10 ^{UNDER}	±0.2
10 ^{OVER} 30 ^{UNDER}	±0.25
30 ^{OVER}	±0.3

DOCUMENT STATUS	RQ	RELEASE DATE
-----------------	----	--------------



BENDING APPROVAL
52610-**-72
MODEL NO.

32	37.4	33.4	20.25	16.32	52610-1572	15
			19.25	15.32	52610-1472	14
			18.25	14.32	52610-1372	13
			17.25	13.32	52610-1272	12
			16.25	12.32	52610-1172	11
キャリアテープ幅 CARRIER TAPE WIDTH	D	C	(B)	(A)	MATERIAL. NO.	極数 CKT.

THIS DRAWING CONTAINS INFORMATION THAT IS PROPRIETARY TO MOLEX ELECTRONIC TECHNOLOGIES, LLC AND SHOULD NOT BE USED WITHOUT WRITTEN PERMISSION

CURRENT REV DESC: MIGRATED TO NX

molex

1.0 FPC CONN SMT ZIF
EMBSTP PKG -LEAD FREE-

PRODUCT CUSTOMER DRAWING

DOCUMENT NUMBER: SD-52610-037 | DOC TYPE: PSD | DOC PART: 001 | REVISION: F1

EC NO: 626177 | DRWN: RPRABHUM | 2019/10/01 | APPR: N.UKITA

INITIAL REVISION: DRWN: M.NABEI | 2005/07/21 | APPR: N.UKITA | 2005/07/21

DIMENSION UNITS: mm | SCALE: NTS

GENERAL TOLERANCES (UNLESS SPECIFIED):
 4 PLACES: ±0.2
 3 PLACES: ±0.25
 2 PLACES: ±0.3
 1 PLACE: ±0.3
 0 PLACES: ±0.3

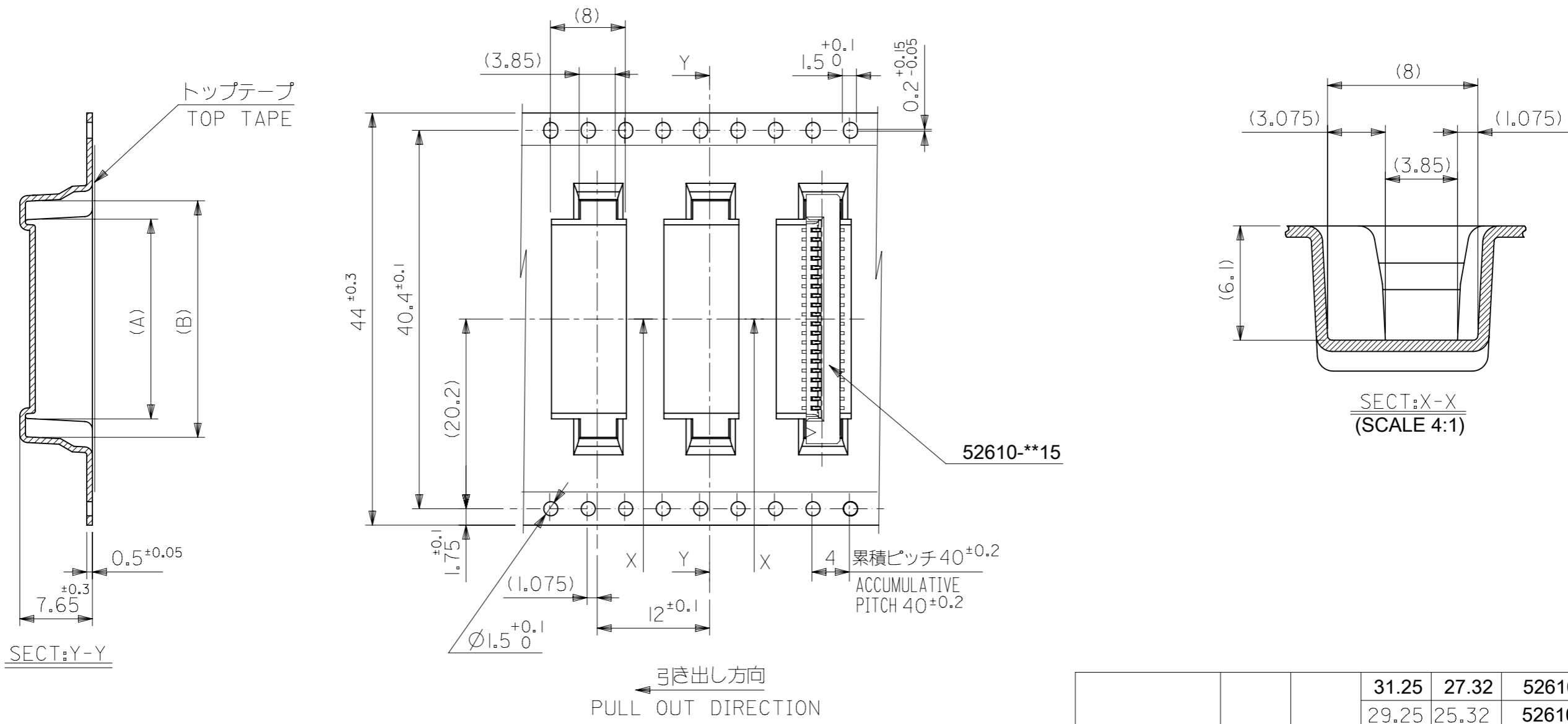
ANGULAR TOL: ± 3.0°

DRAFT WHERE APPLICABLE MUST REMAIN WITHIN DIMENSIONS

THIRD ANGLE PROJECTION

DRAWING: A3-SIZE | SERIES: 52610 | MATERIAL NUMBER: SEE TABLE | CUSTOMER: GENERAL MARKET | SHEET NUMBER: 3 OF 5

DOCUMENT STATUS	RQ	RELEASE DATE
-----------------	----	--------------



44	49.4	45.4	31.25	27.32	52610-2672	26
			29.25	25.32	52610-2472	24
			27.25	23.32	52610-2272	22
			25.25	21.32	52610-2072	20
			24.25	20.32	52610-1972	19
			23.25	19.32	52610-1872	18
			22.25	18.32	52610-1772	17
21.25	17.32	52610-1672	16			
			(B)	(A)	MATERIAL. NO.	極数 CKT.

PENDING
 APPROVAL
 MODEL NO. 52610-**72

THIS DRAWING CONTAINS INFORMATION THAT IS PROPRIETARY TO MOLEX ELECTRONIC TECHNOLOGIES, LLC AND SHOULD NOT BE USED WITHOUT WRITTEN PERMISSION

SCALE: mm NTS

GENERAL TOLERANCES (UNLESS SPECIFIED)

PLACES	TOLERANCE
4 PLACES	±
3 PLACES	±
2 PLACES	±
1 PLACE	±
0 PLACES	±

ANGULAR TOL ± 3.0°

DRAFT WHERE APPLICABLE MUST REMAIN WITHIN DIMENSIONS

THIRD ANGLE PROJECTION

CURRENT REV DESC: MIGRATED TO NX

EC NO: 626177
 DRWN: RPRABHUM 2019/10/01
 CHK'D:
 APPR:

INITIAL REVISION:
 DRWN: M.NABEI 2005/07/21
 APPR: N.UKITA 2005/07/21

molex

1.0 FPC CONN SMT ZIF
 EMBSTP PKG -LEAD FREE-

PRODUCT CUSTOMER DRAWING

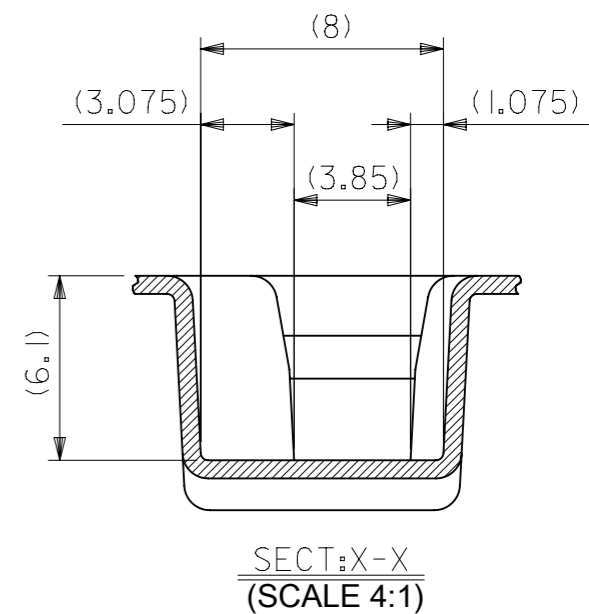
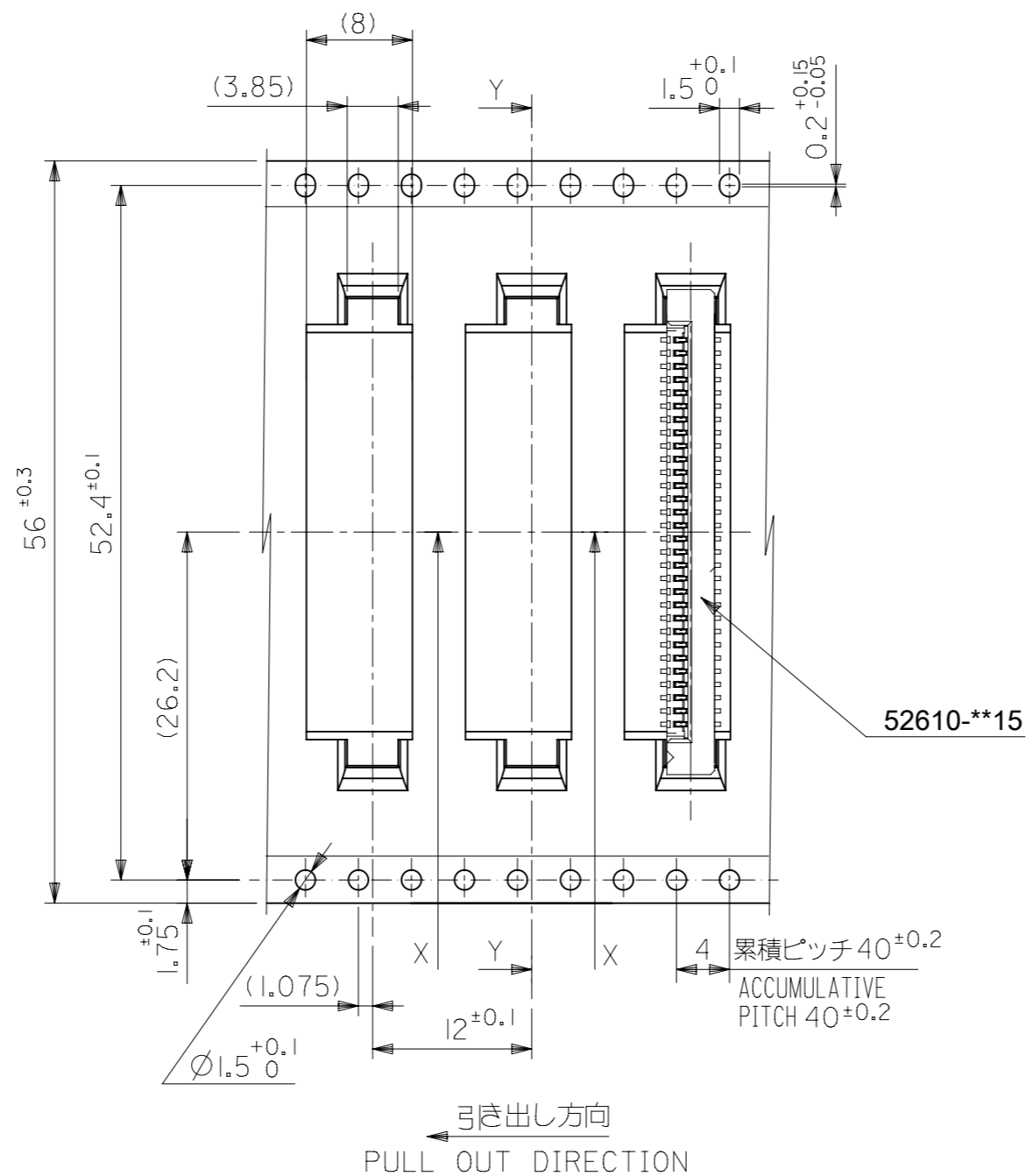
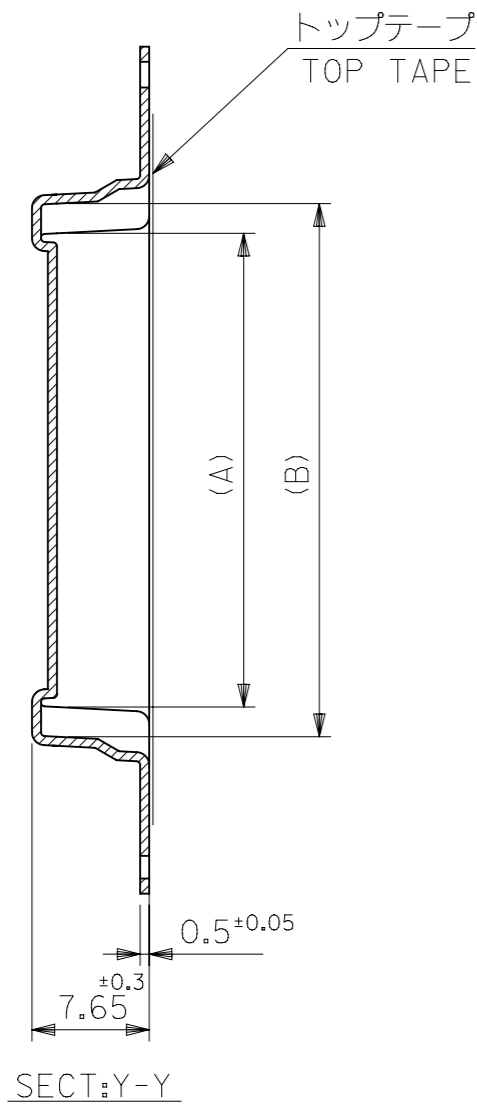
DOCUMENT NUMBER	DOC TYPE	DOC PART	REVISION
SD-52610-037	PSD	001	F1

MATERIAL NUMBER	CUSTOMER	SHEET NUMBER
SEE TABLE	GENERAL MARKET	4 OF 5

GENERAL TOLERANCES (UNLESS SPECIFIED)

10 ^{UNDER}	±0.2
10 ^{OVER} 30 ^{UNDER}	±0.25
30 ^{OVER}	±0.3

DOCUMENT STATUS	RQ	RELEASE DATE
-----------------	----	--------------



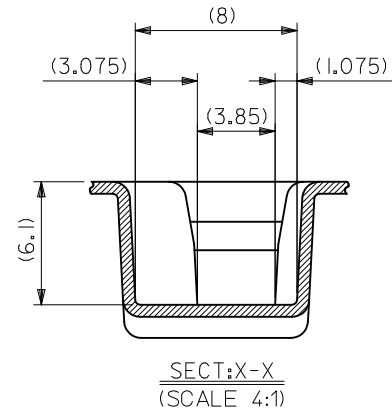
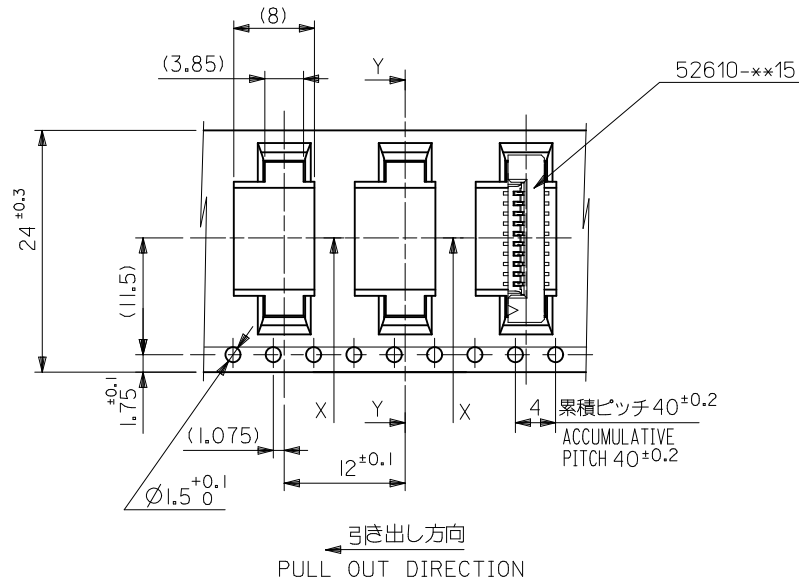
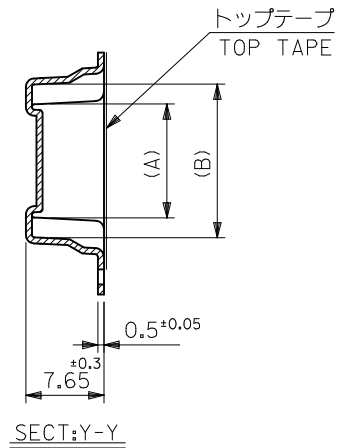
PENDING APPROVAL
52610-**72
MODEL NO.

56	61.4	57.4	35.25	31.32	52610-3072	30
キャリアテープ幅 CARRIER TAPE WIDTH	D	C	(B)	(A)	MATERIAL. NO.	極数 CKT.

THIS DRAWING CONTAINS INFORMATION THAT IS PROPRIETARY TO MOLEX ELECTRONIC TECHNOLOGIES, LLC AND SHOULD NOT BE USED WITHOUT WRITTEN PERMISSION		CURRENT REV DESC: MIGRATED TO NX		molex	
GENERAL TOLERANCES (UNLESS SPECIFIED)		EC NO: 626177 DRWN: RPRABHUM CHK'D: APPR:			
GENERAL TOLERANCES (UNLESS SPECIFIED)		INITIAL REVISION:		PRODUCT CUSTOMER DRAWING	
4 PLACES ±		DRWN: M.NABEI APPR: N.UKITA		DOCUMENT NUMBER	
3 PLACES ±		2005/07/21		SD-52610-037	
2 PLACES ±		2005/07/21		DOC TYPE	
1 PLACE ±		THIRD ANGLE PROJECTION		PSD	
0 PLACES ±		DRAWING		DOC PART	
ANGULAR TOL ± 3.0°		SERIES		001	
DRAFT WHERE APPLICABLE MUST REMAIN WITHIN DIMENSIONS		A3-SIZE		REVISION	
		52610		F1	
		MATERIAL NUMBER		SHEET NUMBER	
		SEE TABLE		5 OF 5	
		CUSTOMER			
		GENERAL MARKET			

GENERAL TOLERANCES (UNLESS SPECIFIED)		
10 ^{UNDER}	±0.2	
10 ^{OVER} 30 ^{UNDER}	±0.25	
30 ^{OVER}	±0.3	

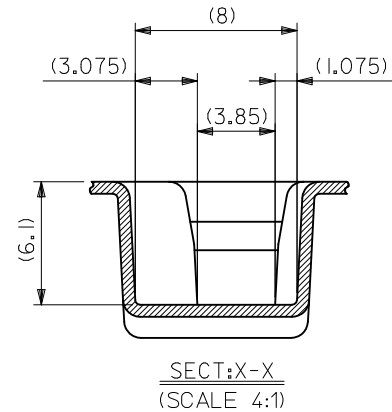
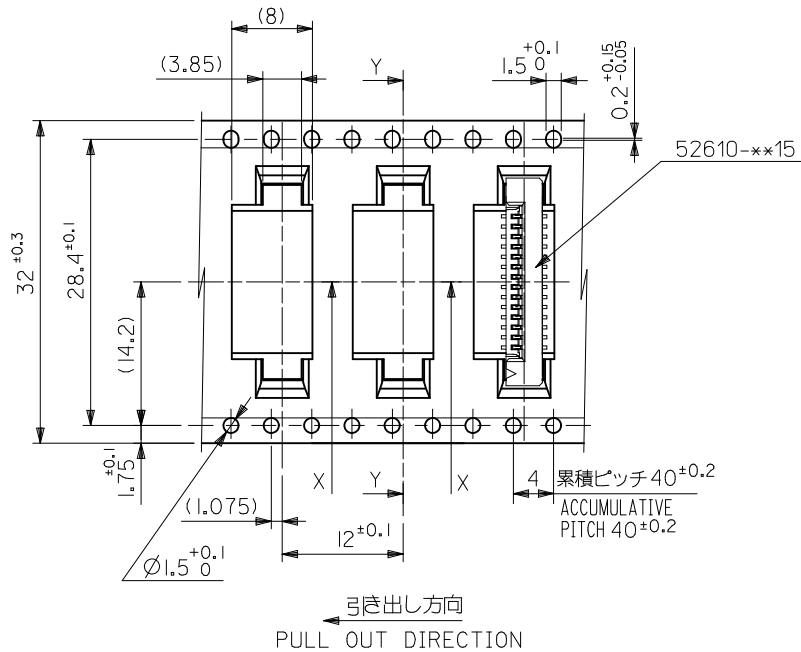
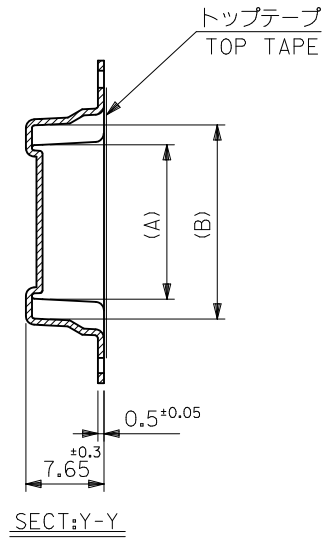
DOCUMENT STATUS	RQ	RELEASE DATE
-----------------	----	--------------



52610-**-72
MODEL NO.

24	29.4	25.4	15.25	11.32	52610-1072	10	
			14.25	10.32	52610-0972	9	
			13.25	9.32	52610-0872	8	
			11.25	7.32	52610-0672	6	
			10.25	6.32	52610-0572	5	
キャリアテープ幅 CARRIER TAPE WIDTH		D	C	(B)	(A)	MATERIAL. NO.	極数 CKT.

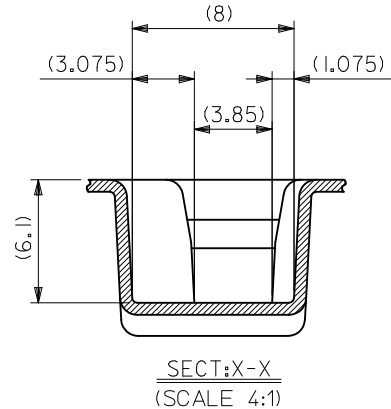
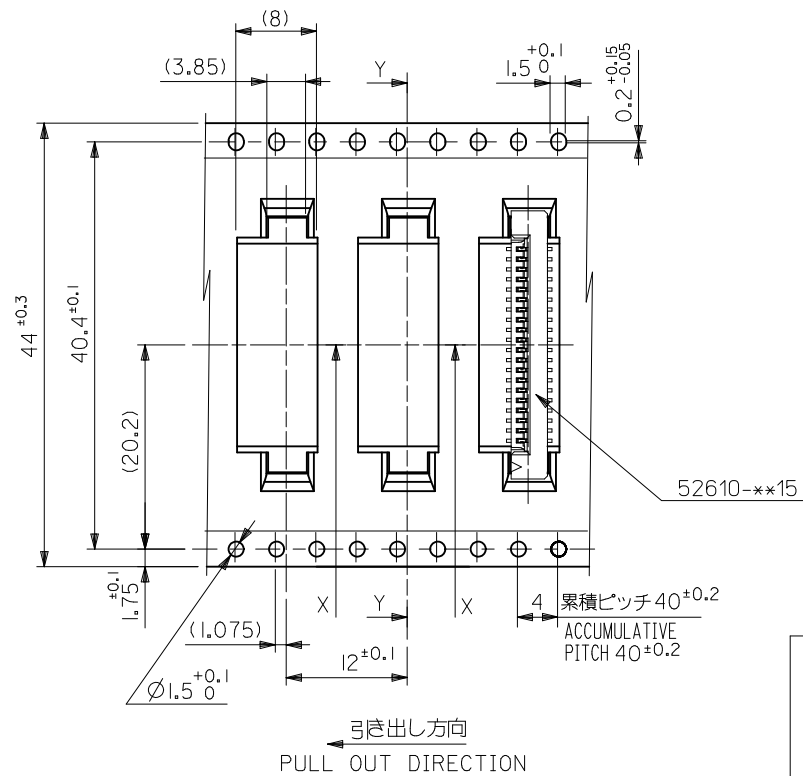
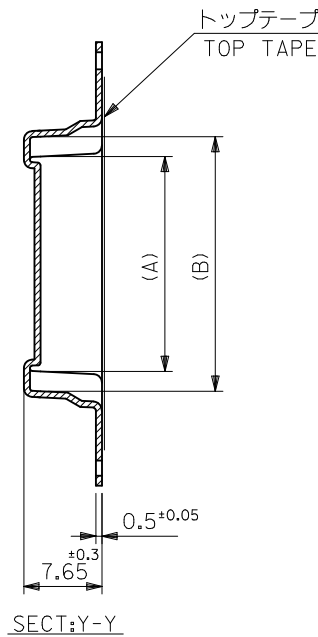
REVISED EC NO.: J2012-0856 DRWN:KMIYAHARA 2012/01/05 CHKD:KTAHASHI 2012/01/05 APP:KMORIKAWA 2012/02/07	DESCRIPTION REV	GENERAL TOLERANCES (UNLESS SPECIFIED)		DIMENSION STYLE MM ONLY		SCALE ---		DESIGN UNITS METRIC		THIRD ANGLE PROJECTION		
		10 UNDER	±0.2	DRAWN BY M. NABEI	DATE '05/07/21	TITLE 1.0 FPC CONN SMT ZIF EMBSTP PKG -LEAD FREE-						
		10 OVER 30 UNDER	±0.25	CHECKED BY K. TOYODA	DATE '05/07/21	MOLEX INCORPORATED						
		30 OVER	±0.3	APPROVED BY N. UKITA	DATE '05/07/21							
		ANGULAR ±3 °		DRAFT WHERE APPLICABLE MUST REMAIN WITHIN DIMENSIONS		MATERIAL NO. SEE TABLE		DOCUMENT NO. SD-52610-037		SHEET NO. 2 OF 5		
SIZE A3		THIS DRAWING CONTAINS INFORMATION THAT IS PROPRIETARY TO MOLEX INCORPORATED AND SHOULD NOT BE USED WITHOUT WRITTEN PERMISSION										



52610-**-72
MODEL NO.

32	37.4	33.4	20.25	16.32	52610-1572	15	
			19.25	15.32	52610-1472	14	
			18.25	14.32	52610-1372	13	
			17.25	13.32	52610-1272	12	
			16.25	12.32	52610-1172	11	
キャリアテープ幅 CARRIER TAPE WIDTH		D	C	(B)	(A)	MATERIAL NO.	極数 CKT.

REVISED EC NO: J2012-0856 DRWN:KMIYAHARA 2012/01/05 CHK'D:KAKAHASHI 2012/01/05 APPR:KMORIKAWA 2012/02/07	GENERAL TOLERANCES (UNLESS SPECIFIED)		DIMENSION STYLE MM ONLY		SCALE ---	DESIGN UNITS METRIC	THIRD ANGLE PROJECTION
	10 UNDER	± 0.2	DRAWN BY M. NABEI		DATE '05/07/21	TITLE 1.0 FPC CONN SMT ZIF EMBSTP PKG -LEAD FREE-	
	10 OVER 30 UNDER	± 0.25	CHECKED BY K. TOYODA		DATE '05/07/21	MOLEX INCORPORATED SD-52610-037	
	30 OVER	± 0.3	APPROVED BY N. UKITA		DATE '05/07/21		
	ANGULAR	$\pm 3^\circ$	MATERIAL NO. SEE TABLE		DOCUMENT NO. SD-52610-037	SHEET NO. 3 OF 5	
DRAFT WHERE APPLICABLE MUST REMAIN WITHIN DIMENSIONS		THIS DRAWING CONTAINS INFORMATION THAT IS PROPRIETARY TO MOLEX INCORPORATED AND SHOULD NOT BE USED WITHOUT WRITTEN PERMISSION					

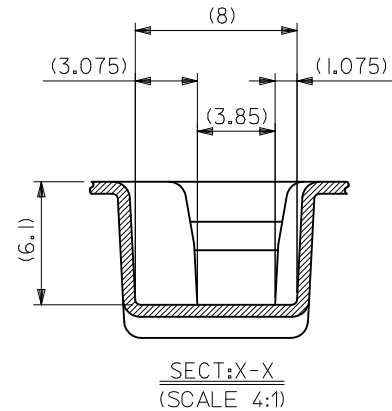
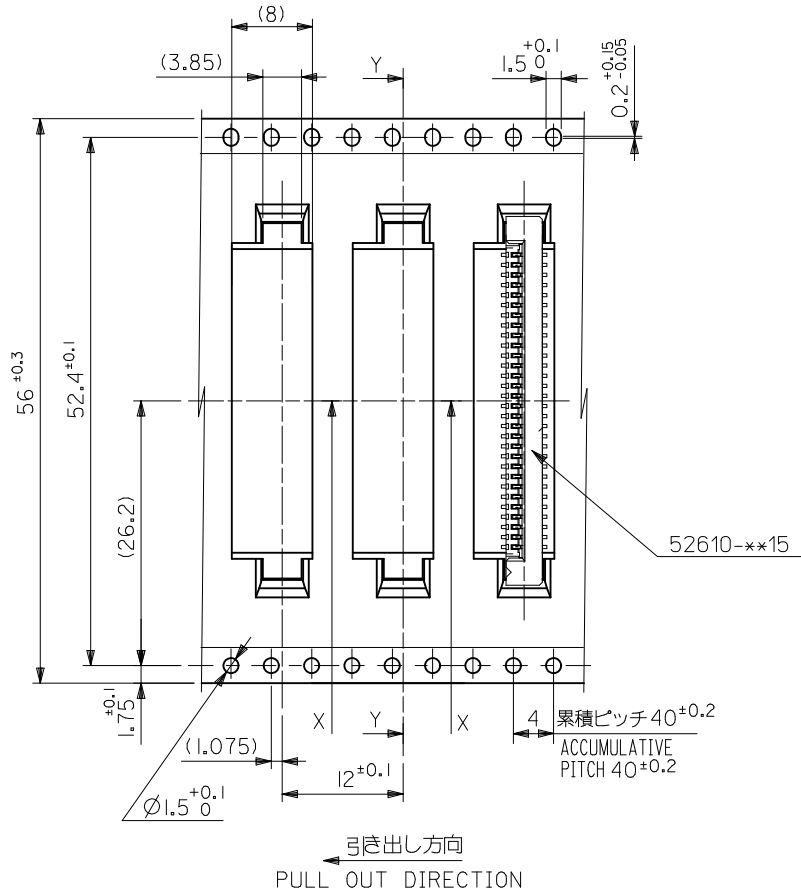
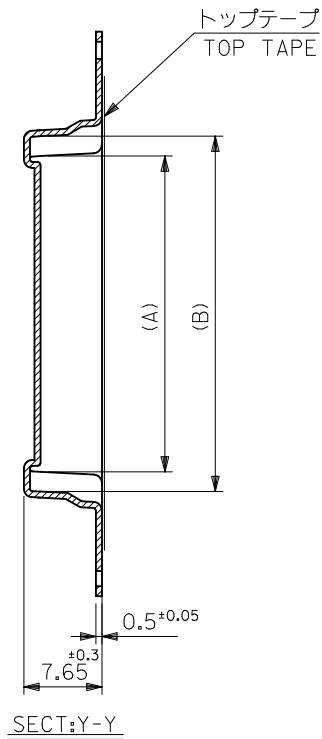


44	49.4	45.4	31.25	27.32	52610-2672	26
			30.25	26.32	52610-2572	25
			29.25	25.32	52610-2472	24
			27.25	23.32	52610-2272	22
			25.25	21.32	52610-2072	20
			24.25	20.32	52610-1972	19
			23.25	19.32	52610-1872	18
			22.25	18.32	52610-1772	17
			21.25	17.32	52610-1672	16
			(B)	(A)	MATERIAL. NO.	極数 CKT.

52610-***72
MODEL NO.

キャリアテープ幅
CARRIER TAPE WIDTH

REVISED EC NO: J2012-0856 DRW:KMIYAHARA 2012/01/05 CHKD: APPR:KMORIKAWA 2012/02/07	DESCRIPTION GENERAL TOLERANCES (UNLESS SPECIFIED) 10 UNDER ±0.2 10 OVER 30 UNDER ±0.25 30 OVER ±0.3 ANGULAR ±3 ° DRAFT WHERE APPLICABLE MUST REMAIN WITHIN DIMENSIONS	DIMENSION STYLE MM ONLY		SCALE ---	DESIGN UNITS METRIC	THIRD ANGLE PROJECTION	
		DRAWN BY M. NABEI	DATE '05/07/21	TITLE 1.0 FPC CONN SMT ZIF EMBOSTP PKG -LEAD FREE-			
		CHECKED BY K. TOYODA	DATE '05/07/21	MOLEX INCORPORATED			
		APPROVED BY N. UKITA	DATE '05/07/21	MATERIAL NO. SEE TABLE		DOCUMENT NO. SD-52610-037	SHEET NO. 4 OF 5
		THIS DRAWING CONTAINS INFORMATION THAT IS PROPRIETARY TO MOLEX INCORPORATED AND SHOULD NOT BE USED WITHOUT WRITTEN PERMISSION					



52610-**-72	56	61.4	57.4	35.25	31.32	52610-3072	30
MODEL NO.	キャリアテープ幅 CARRIER TAPE WIDTH	D	C	(B)	(A)	MATERIAL. NO.	極数 CKT.

REVISED EC NO: J2012-0856 DRWN:KMIYAHARA 2012/01/05 CHK'D:KAKAHASHI 2012/01/05 APPR:KMORIKAWA 2012/02/07	GENERAL TOLERANCES (UNLESS SPECIFIED)		DIMENSION STYLE MM ONLY		SCALE ---	DESIGN UNITS METRIC	THIRD ANGLE PROJECTION
	10 UNDER	±0.2	DRAWN BY M. NABEI	DATE '05/07/21	TITLE 1.0 FPC CONN SMT ZIF EMBSTP PKG -LEAD FREE-		
	10 OVER 30 UNDER	±0.25	CHECKED BY K. TOYODA	DATE '05/07/21	MOLEX INCORPORATED		
	30 OVER	±0.3	APPROVED BY N. UKITA	DATE '05/07/21	MATERIAL NO. SEE TABLE	DOCUMENT NO. SD-52610-037	SHEET NO. 5 OF 5
	ANGULAR ±3 °	THIS DRAWING CONTAINS INFORMATION THAT IS PROPRIETARY TO MOLEX INCORPORATED AND SHOULD NOT BE USED WITHOUT WRITTEN PERMISSION					
	DRAFT WHERE APPLICABLE MUST REMAIN WITHIN DIMENSIONS						