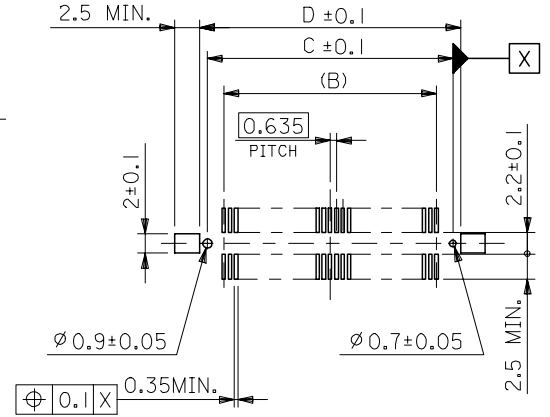
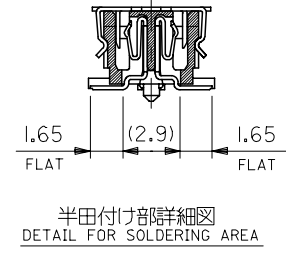
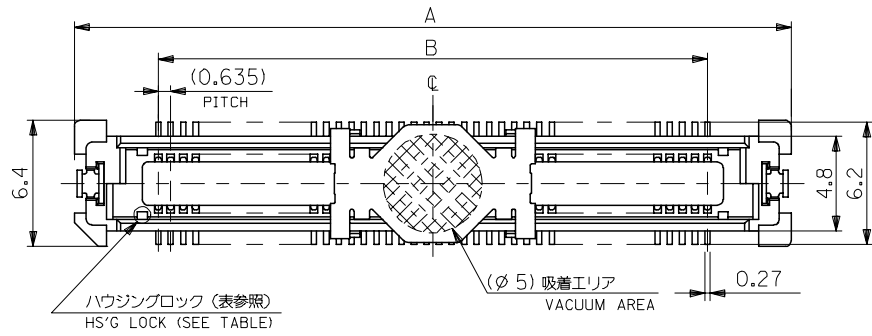
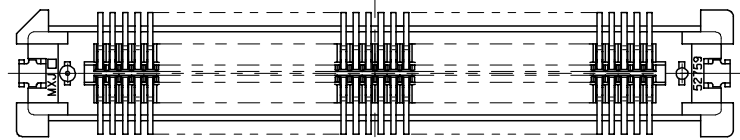
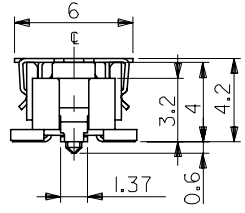
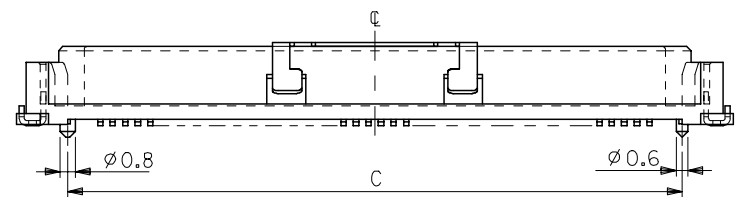


10 9 8 7 6 5 4 3 2 1



推奨基板寸法 (参考)
RECOMMENDED PCB PATTERN LAYOUT (REF.)
(SCALE 2:1)

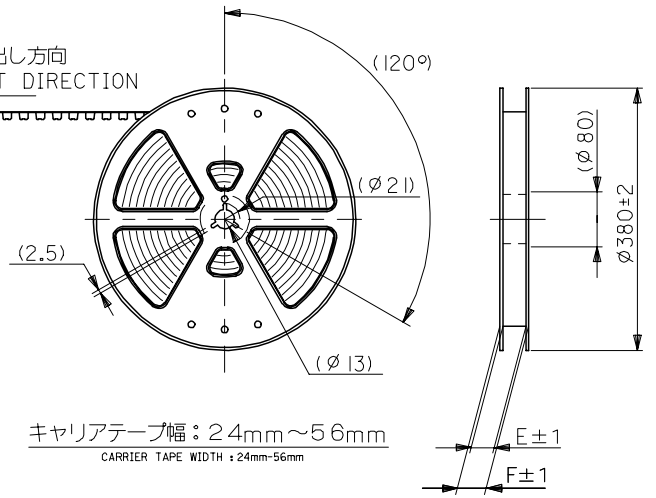


無し NO	80.47	78.87	75.565	84.07	52885-2474	52885-2472	240	○
	67.77	66.17	62.865	71.37	—#	-2072	200	—
	61.42	59.82	56.515	65.02	—#	-1872	180	—
	55.07	53.47	50.165	58.67	52885-1674	-1672	160	○
	48.72	47.12	43.815	52.32	52885-1474	-1472	140	○
	42.37	40.77	37.465	45.97	52885-1274	-1272	120	○
	36.02	34.42	31.115	39.62	52885-1074	-1072	100	○
	32.85	31.25	27.94	36.45	▲ -0974	-0972	90	○
	29.67	28.07	24.765	33.27	-0874	-0872	80	○
	26.5	24.9	21.59	30.1	-0774	-0772	70	○
有り YES	25.86	24.26	20.955	29.46	-6874	-6872	68	—
	23.32	21.72	18.415	26.92	-0674	-0672	60	○
	20.15	18.55	15.24	23.75	-0574	-0572	50	○
	16.97	15.37	12.065	20.57	-0474	-0472	40	○
	13.8	12.2	8.89	17.4	▼ -0374	▼ -0372	30	○
10.62	9.02	5.715	14.22	52885-0274	52885-0272	20	○	
ハウジングロック HSG LOCK	D	C	B	A	エンボス樹脂包 EMBOSSED PACKAGING	製品番号 MATERIAL NO.	極致 CKT. NO.	備産対応 AVAILABLE
	MODEL NO.		52885-***72					

- 注) NOTES
- 材質 MATERIAL
ハウジング: ガラス入りLCP, 白色, UL94V-0
HOUSING: G.F.LCP, WHITE, UL94V-0
ターミナル: 銅合金 (t = 0.2)
TERMINAL: COPPER ALLOY
吸着カバー: ステンレス (t = 0.2)
VACUUM COVER: STAINLESS STEEL
補強金具: 銅合金 (t = 0.25)
FITTING NAIL: COPPER ALLOY
 - メッキ仕様 PLATING
ターミナル: 接点部: 金メッキ 0.25 マイクロメートル以上
TERMINAL: CONTACT AREA: GOLD 0.25 MICROMETER MINIMUM
半田付け部: 錫メッキ 1.0 マイクロメートル以上
SOLDER TAIL AREA: TIN 1.0 MICROMETER MINIMUM
下地メッキ: ニッケルメッキ 1.5 マイクロメートル以上
UNDER-PLATING: NICKEL 1.5 MICROMETER MINIMUM
錫メッキ 1.0 マイクロメートル以上
FITTING NAIL: TIN 1.0 MICROMETER MINIMUM
下地メッキ: ニッケルメッキ 1.0 マイクロメートル以上
UNDER-PLATING: NICKEL 1.0 MICROMETER MINIMUM
 - テールのバラツキ寸法 TAIL COPLANARITY
テール平坦度は、0.1 MAX. とする。
TAILS COPLANARITY TO BE 0.1 MAX.
 - エンボス対応済みの極致については、SD-52885-004を参照下さい。
FOR THE EMBOSSED PACKAGE PRODUCTS, SEE SD-52885-004.
 - 本製品は 52885-***2の鉛フリー品である。
THIS PRODUCT IS LEAD FREE OF 52885-***2.

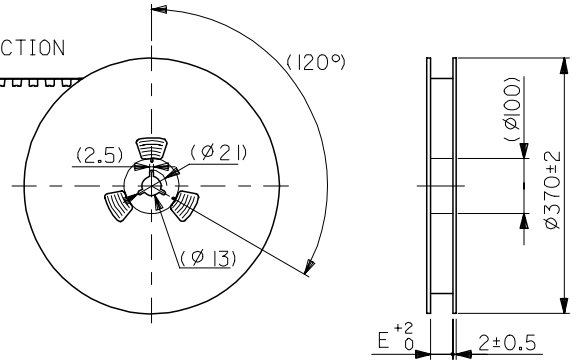
REVISED EC NO.: J2005-1066 DRAWN: SASAMORI CHKD: TOJO APPR: NUKITA	DESCRIPTION 2004/10/08 2004/10/08 2004/10/13	GENERAL TOLERANCES (UNLESS SPECIFIED)		DIMENSION STYLE		SCALE	DESIGN UNITS	THIRD ANGLE PROJECTION		
				MM ONLY		---	METRIC			
		10 UNDER	±0.2	DRAWN BY	DATE	TITLE				
		10 OVER 30 UNDER	±0.25	M. NAGATA	2004/02/25	0.635 PITCH B TO B S/T REC. HSG ASSY -LEAD FREE-				
		30 OVER	±0.3	CHECKED BY	DATE	M. SASAO 2004/02/25				
ANGULAR ±3 °		DRAFT WHERE APPLICABLE MUST REMAIN WITHIN DIMENSIONS		APPROVED BY	DATE	DOCUMENT NO.		SHEET NO.		
				M. SASAO	2004/02/25	SD-52885-003		1 OF 1		
				MATERIAL NO.		SEE CHART		THIS DRAWING CONTAINS INFORMATION THAT IS PROPRIETARY TO MOLEX INCORPORATED AND SHOULD NOT BE USED WITHOUT WRITTEN PERMISSION		

引き出し方向
PULL OUT DIRECTION



キャリアテープ幅：24mm～56mm
CARRIER TAPE WIDTH : 24mm-56mm

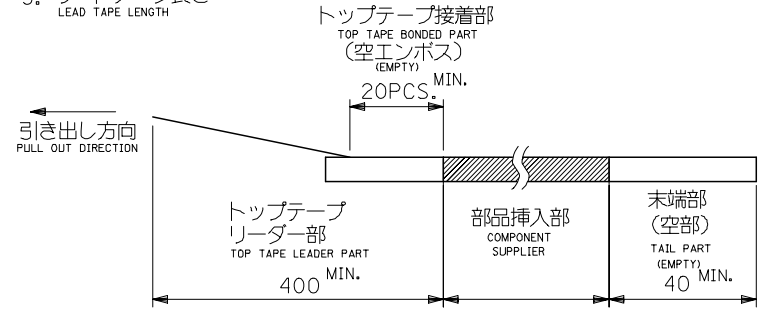
引き出し方向
PULL OUT DIRECTION



キャリアテープ幅：72mm～104mm
CARRIER TAPE WIDTH : 72mm-104mm

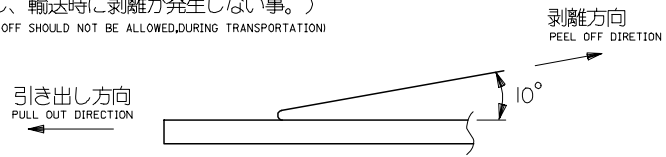
注)
NOTES

- 製品番号 52885-***72 の詳細寸法については SD-52885-003 を参照下さい。
IN THE PACKAGE , PART NO. 52885-***72 DETAILED DIMENSIONS , SEE SD-52885-003
- 梱包数量 : 1000個/リール
NUMBER OF CONNECTORS : 1000 PCS/REEL
- リードテープ長さ
LEAD TAPE LENGTH



- トップテープの剥離強度 (剥離方向は下図参照)
PEELING OFF FORCE OF TOP TAPE (PEELING DIRECTION AS SHOWN IN FOLLOWING FIG.)
0.1~0.3N {10~130gf}

尚、本規格値は、出荷時に適用。
THIS REQUIREMENT SHOULD BE APPLIED AT SHIPMENT
(但し、輸送時に剥離が発生しない事。)
(PEEL OFF SHOULD NOT BE ALLOWED, DURING TRANSPORTATION)



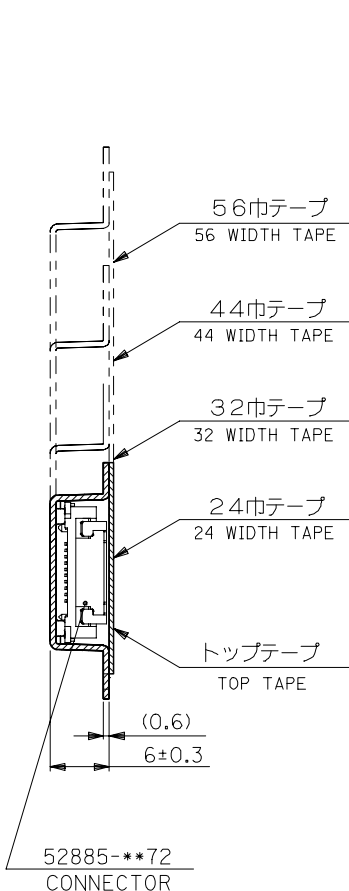
- 材料
MATERIAL
キャリアテープ : ポリプロピレン (PP)
CARRIER TAPE : POLYPROPYLENE (PP)
トップテープ : PET, PE, PEF
TOP TAPE : PET, PE, PEF
リール : キャリアテープ幅 24mm～56mm : ポリスチレン
REEL : CARRIER TAPE WIDTH 24mm-56mm : POLYSTYRENE
キャリアテープ幅 72mm～104mm : 紙
CARRIER TAPE WIDTH 72mm-104mm : CARD BOARD

- 本製品は52885-***4の鉛フリー品である。
THIS PRODUCT IS LEAD FREE OF 52885-***4.

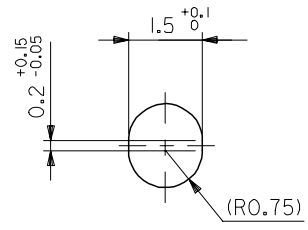
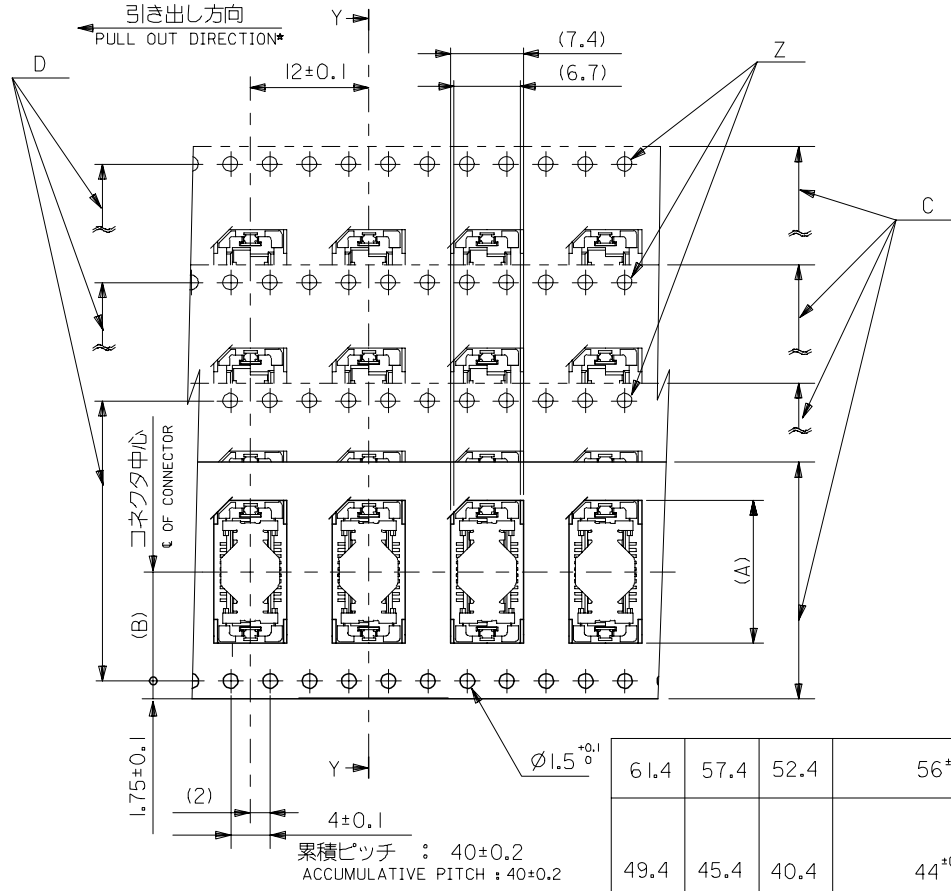
REVISED EC NO: J2005-0165 DRAWN: HSHIMOTA 2004/07/13 CHKD: MSASAO 2004/07/15 APPR: MSASAO 2004/07/20	GENERAL TOLERANCES (UNLESS SPECIFIED)		DIMENSION STYLE MM ONLY		SCALE ---	DESIGN UNITS METRIC	THIRD ANGLE PROJECTION	
	10 UNDER	±---	DRAWN BY M. NAGATA	DATE 2004/02/25	TITLE 52885-***72 TAPING PACKAGE -LEAD FREE-			
	10 OVER 30 UNDER	±---	CHECKED BY K. TOJO	DATE 2004/02/25	MOLEX INCORPORATED			
	30 OVER	±---	APPROVED BY M. SASAO	DATE 2004/02/25	DOCUMENT NO. SD-52885-004	SHEET NO. 1 OF 3		
B	DESCRIPTION	DRAFT WHERE APPLICABLE MUST REMAIN WITHIN DIMENSIONS		SIZE A3	THIS DRAWING CONTAINS INFORMATION THAT IS PROPRIETARY TO MOLEX INCORPORATED AND SHOULD NOT BE USED WITHOUT WRITTEN PERMISSION			

10 9 8 7 6 5 4 3 2 1

F
E
D
C
B
A



断面 Y-Y
SECTION Y-Y



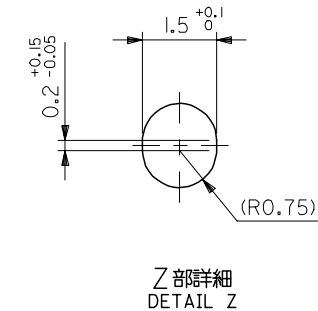
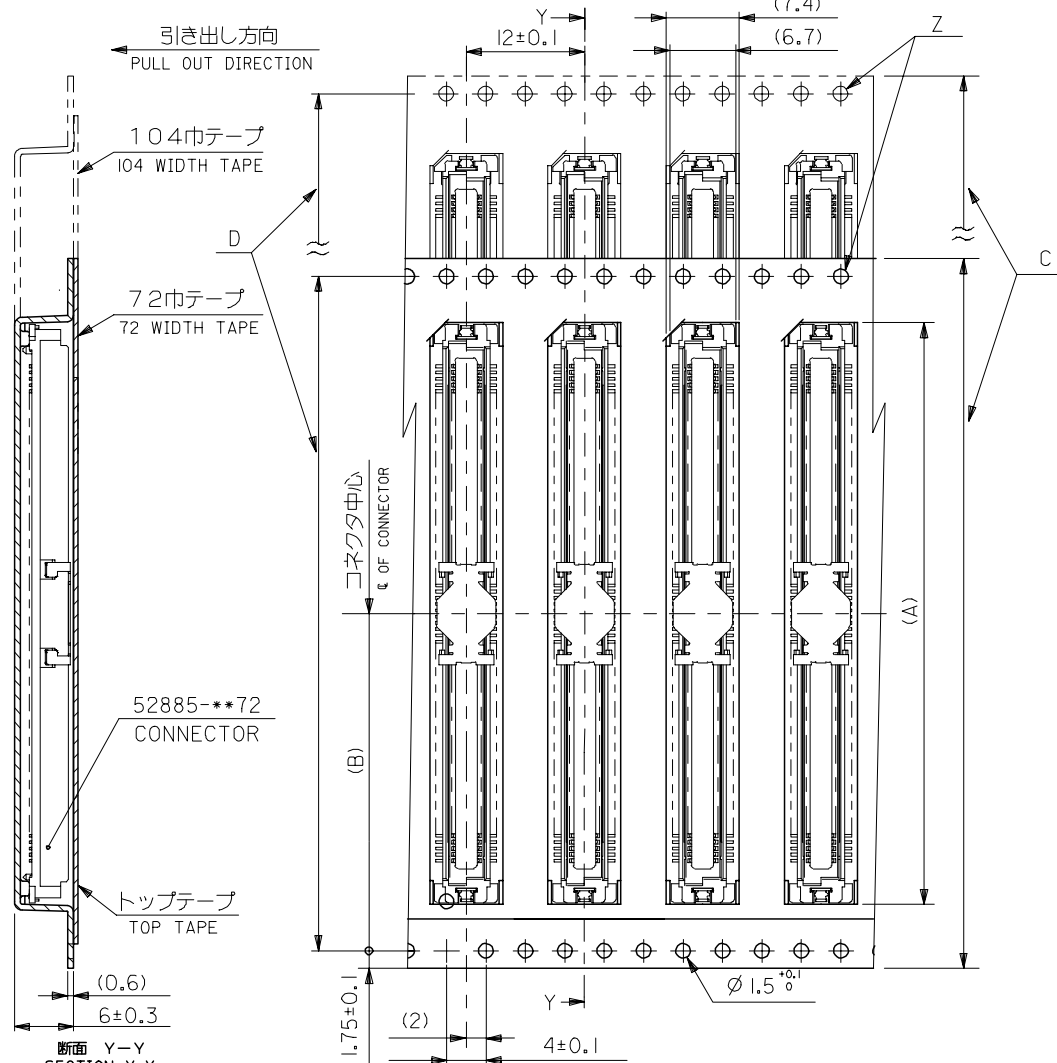
Z部詳細
DETAIL Z

61.4	57.4	52.4	56 ^{+0.3}	26.2	39.9	52885-1074	100	○
					36.8	-0974	90	○
					33.6	-0874	80	○
					30.4	-0774	70	○
49.4	45.4	40.4	44 ^{+0.3}	20.2	29.8	-6874	68	—
					27.2	-0674	60	○
					24.1	-0574	50	○
					20.9	-0474	40	○
					17.7	-0374	30	○
37.4	33.4	28.4	32 ^{+0.3}	14.2	14.5	52885-0274	20	○
29.4	25.4	—	24 ^{+0.3}	11.5				
F	E	D	C	(B)	(A)	MATERIAL NO.	種数	量産対応 CKT.NO. AVAILABLE

REVISED EC NO: J2005-0165 DRAWN: HSHIMOTA 2004/07/13 CHKD: MSASAO 2004/07/15 APPR: MSASAO 2004/07/20	GENERAL TOLERANCES (UNLESS SPECIFIED)		DIMENSION STYLE MM ONLY		SCALE ---	DESIGN UNITS METRIC	THIRD ANGLE PROJECTION	
	10 UNDER	± ---	DRAWN BY M. NAGATA		DATE 2004/02/25		TITLE 52885-**72 TAPING PACKAGE -LEAD FREE-	
	10 OVER 30 UNDER	± ---	CHECKED BY K. TOJO		DATE 2004/02/25		MOLEX INCORPORATED	
	30 OVER	± ---	APPROVED BY MSASAO		DATE 2004/02/25		DOCUMENT NO. SD-52885-004	
ANGULAR ± --- °		DRAFT WHERE APPLICABLE MUST REMAIN WITHIN DIMENSIONS		MATERIAL NO. SEE TABLE		SHEET NO. 2 OF 3		
SIZE A3 THIS DRAWING CONTAINS INFORMATION THAT IS PROPRIETARY TO MOLEX INCORPORATED AND SHOULD NOT BE USED WITHOUT WRITTEN PERMISSION								

10 9 8 7 6 5 4 3 2 1

F
E
D
C
B
A



累積ピッチ : 40±0.2
ACCUMULATIVE PITCH : 40±0.2

104.4	100.4	104±0.3	50.2	84.4	52885-2474	240	○
72.4	68.4	72±0.3	34.2	59.0	52885-1674	160	○
				52.6	52885-1474	140	○
				46.3	52885-1274	120	○
E	D	C	キャリアテープ幅 CARRIER TAPE WIDTH	(B)	(A)	MATERIAL NO.	極数 標準対応 CKT. NO. AVAILABLE

REVISED EC NO: J2005-0165 DRAWN: HSHIMOTA 2004/07/13 CHKD: MSASAO 2004/07/15 APPR: MSASAO 2004/07/20	GENERAL TOLERANCES (UNLESS SPECIFIED)		DIMENSION STYLE MM ONLY	SCALE ---	DESIGN UNITS METRIC	THIRD ANGLE PROJECTION	
	10 UNDER	±---	DRAWN BY M. NAGATA	DATE 2004/02/25	TITLE 52885-**72 TAPING PACKAGE -LEAD FREE-		
	10 OVER 30 UNDER	±---	CHECKED BY K. TOJO	DATE 2004/02/25	APPROVED BY MSASAO 2004/02/25		
	30 OVER	±---	APPROVED BY MSASAO 2004/02/25		MATERIAL NO. SD-52885-004		
	ANGULAR ±--- °	DRAFT WHERE APPLICABLE MUST REMAIN WITHIN DIMENSIONS		SEE TABLE		DOCUMENT NO. SD-52885-004	SHEET NO. 3 OF 3
B	REV	THIS DRAWING CONTAINS INFORMATION THAT IS PROPRIETARY TO MOLEX INCORPORATED AND SHOULD NOT BE USED WITHOUT WRITTEN PERMISSION					