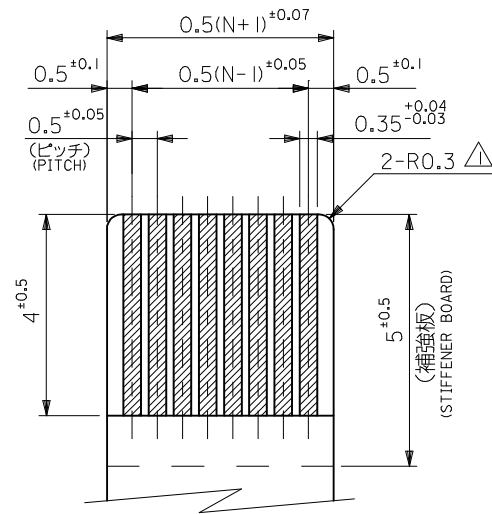


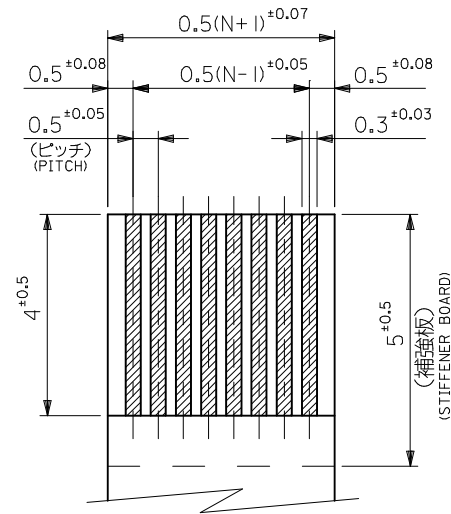
参考基板レイアウト
RECOMMENDED P.C.BOARD
PATTERN DIMENSION (REF.)
(マウント面)
(MOUNTING SIDE)

注記 NOTES

△ R0.3は、FPCの導体部にかからないこと。
R0.3 MUST NOT BE OVERLAPPED TO PATTERN OF FPC.



適合FPC推奨寸法
APPLICABLE FPC
RECOMMENDED DIMENSION
(仕上がり厚さ: 0.3 ±0.03)
(THICKNESS: 0.3 ±0.03)



適合FFC推奨寸法
APPLICABLE FFC
RECOMMENDED DIMENSION
(仕上がり厚さ: 0.3 ±0.03)
(THICKNESS: 0.3 ±0.03)

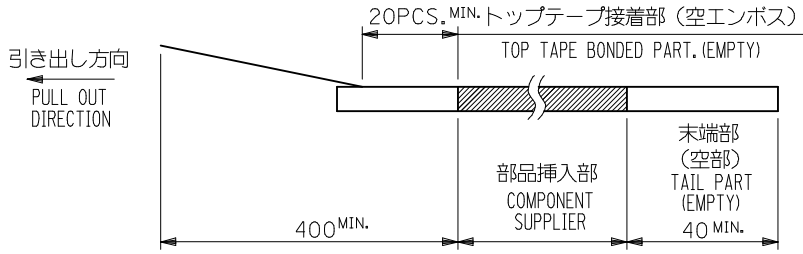
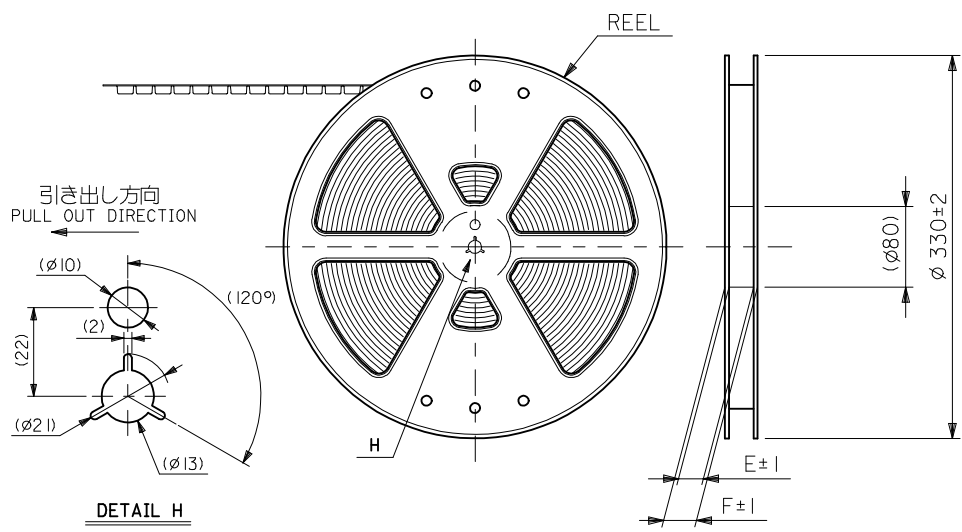
FPCについて:
打抜き方向は導体側から補強板側を推奨致します。
補強フィルム材質はポリイミドを推奨致します。
接着剤は熱硬化接着剤を推奨致します。
ABOUT FPC:
RECOMMENDED PUNCHER DIRECTION: FROM CONDUCTOR SIDE TO STIFFENER BOARD SIDE.
RECOMMENDED MATERIAL:
STIFFENER FILM: POLYIMIDE
BONDING AGENT: THERMOSETTING BONDING AGENT

52893-**-19 MODEL NO.

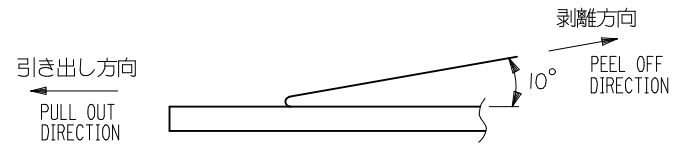
REVISED EC NO: J2016-0623 DRWN:SKITAZAWA 2015/12/11 CHKD:YKOBAYASHI 022016/02/15 APPR:TKUSUHARA01 2016/02/17	GENERAL TOLERANCES (UNLESS SPECIFIED)		DIMENSION STYLE MM ONLY		SCALE ---	DESIGN UNITS METRIC	THIRD ANGLE PROJECTION		
	0.25 UNDER	UNDER	±0.03	DRAWN BY M. NAGATA	DATE '04/01/09	TITLE 0.5 FPC CONN ASSY ZIF SMT RA BTM CONT E/O TYPE -LEAD FREE-			
	0.25 OVER	0.5 UNDER	±0.05	CHECKED BY K. TOJO	DATE '04/01/09	molex			
	0.5 OVER	1.0 UNDER	±0.1	APPROVED BY M. SASAO	DATE '04/01/09				
	1.0 OVER	10 UNDER	±0.2	MATERIAL NO.	DOCUMENT NO.	SHEET NO.			
10 OVER	30 UNDER	±0.25	SEE SHEET 1		SD-52893-040		2 OF 2		
30 OVER		±0.3	THIS DRAWING CONTAINS INFORMATION THAT IS PROPRIETARY TO MOLEX ELECTRONIC TECHNOLOGIES, LLC AND SHOULD NOT BE USED WITHOUT WRITTEN PERMISSION						
ANGULAR	±3 °								
DRAFT WHERE APPLICABLE MUST REMAIN WITHIN DIMENSIONS			SIZE A3						

注記 NOTES

- 製品詳細寸法については図面 SD-52893-040 を参照下さい。
RE DETAILED DIMENSION, SEE SD-52893-040
- 梱包数量：1000個/リール
NUMBER OF CONNECTORS : 1000PCS/REEL
- リードテープ長さ LEAD TAPE LENGTH

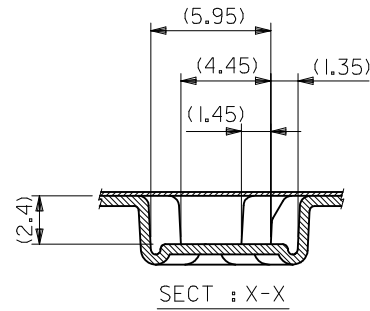
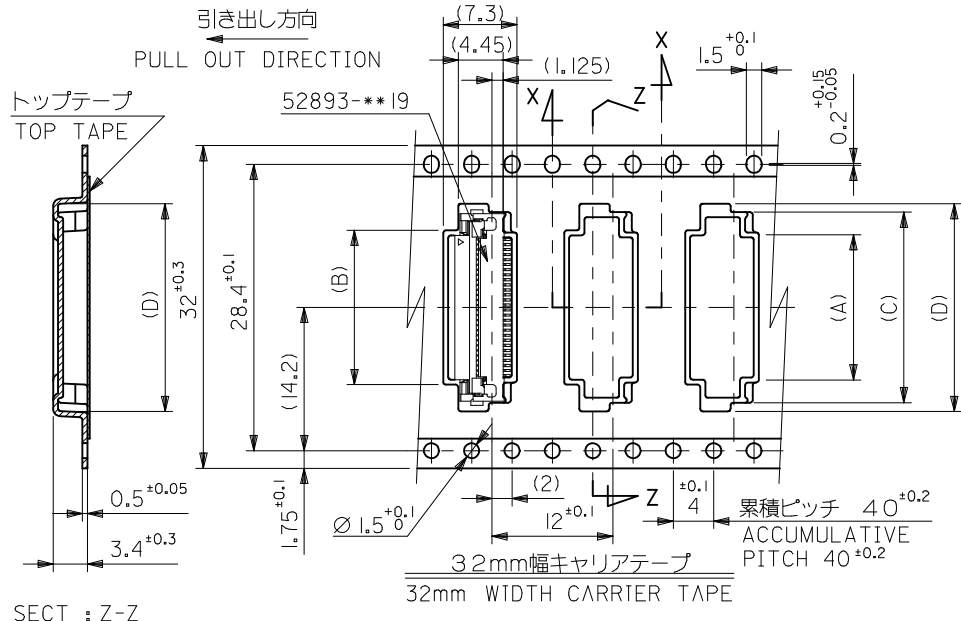
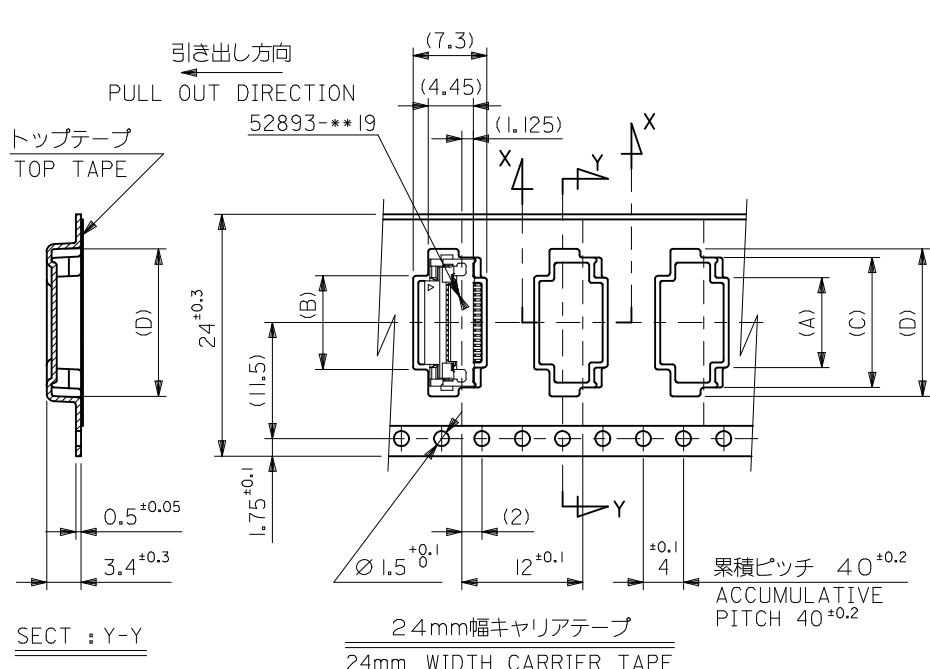


- トップテープの剥離強度：0.1~1.3N/10 ~ 130gf)
(剥離方向は下図参照)
尚、本規格値は出荷時に適用。(但し、輸送時に剥離が発生しないこと。)
PEELING OFF FORCE OF TOP TAPE : 0.1~1.3N/10 ~ 130gf)
(PEELING DIRECTION AS SHOWN IN FOLLOWING FIG.)
THIS REQUIREMENT SHOULD BE APPLIED AT SHIPMENT.
PEEL OFF SHOULD NOT BE ALLOWED , DURING TRANSPORTATION.



- 材料
キャリアテープ：ポリプロピレン (PP)
トップテープ：PET, PE, PEF
リール：ポリスチレン (PS) <リサイクル材を含む>
MATERIAL CARRIER TAPE:POLYPROPYLENE
TOP TAPE:PET,PE,PEF
REEL:POLYSTYRENE(PS)
<RECYCLE MATERIAL CONTAINED>
- 本製品は 52893-***90 の鉛フリー品である。
THIS PRODUCT IS LEAD FREE OF 52893-***90

REVISED EC NO: J2016-0623 DRWN:SKITAZAWA 2015/12/11 CHKD:YKOBAYASHI 2016/02/15 APPR:TKUSUHARA01 2016/02/17	GENERAL TOLERANCES (UNLESS SPECIFIED)			DIMENSION STYLE MM ONLY		SCALE ---	DESIGN UNITS METRIC	THIRD ANGLE PROJECTION	
	0.25 UNDER	UNDER	±0.03	DRAWN BY	DATE	TITLE			
	0.25 OVER	0.5 UNDER	±0.05	M. NAGATA	'04/01/09	0.5 FPC CONN ASSY ZIF			
	0.5 OVER	1.0 UNDER	±0.1	CHECKED BY	DATE	-LEAD FREE- molex			
	1.0 OVER	10 UNDER	±0.2	K. TOJO	'04/01/09				
	10 OVER	30 UNDER	±0.25	APPROVED BY	DATE	MATERIAL NO.		DOCUMENT NO.	
30 OVER		±0.3			ENTER PART		SD-52893-041		
	ANGULAR ±3 °			SIZE A3		SHEET NO. 1 OF 2			
	DRAFT WHERE APPLICABLE MUST REMAIN WITHIN DIMENSIONS			THIS DRAWING CONTAINS INFORMATION THAT IS PROPRIETARY TO MOLEX ELECTRONIC TECHNOLOGIES, LLC AND SHOULD NOT BE USED WITHOUT WRITTEN PERMISSION					



32	37.4	33.4	21.6	19.9	16.1	15.9	52893-3095	30
			20.6	18.9	15.1	14.9	-2895	28
			19.6	17.9	14.1	13.9	-2695	26
			18.6	16.9	13.1	12.9	-2495	24
24	29.4	25.4	17.6	15.9	12.1	11.9	-2295	22
			17.1	15.4	11.6	11.4	-2195	21
			16.6	14.9	11.1	10.9	-2095	20
			15.6	13.9	10.1	9.9	-1895	18
			14.6	12.9	9.1	8.9	-1695	16
			14.1	12.4	8.6	8.4	-1595	15
			13.6	11.9	8.1	7.9	-1495	14
			13.1	11.4	7.6	7.4	-1395	13
			12.6	10.9	7.1	6.9	-1295	12
			12.1	10.4	6.6	6.4	-1195	11
			11.6	9.9	6.1	5.9	-1095	10
			10.6	8.9	5.1	4.9	52893-0895	8
キャリアテープ幅 CARRIER TAPE WIDTH	F	E	(D)	(C)	(B)	(A)	MATERIAL NO.	極数 CIRCUIT

MODEL NO. 52893-***95

SCALE --- DESIGN UNITS METRIC

THIRD ANGLE PROJECTION

GENERAL TOLERANCES (UNLESS SPECIFIED)

0.25 UNDER	UNDER	±0.03
0.25 OVER	0.5 UNDER	±0.05
0.5 OVER	1.0 UNDER	±0.1
1.0 OVER	10 UNDER	±0.2
30 OVER	30 UNDER	±0.25
30 OVER		±0.3
ANGULAR	±3 °	

DIMENSION STYLE MM ONLY

DRAWN BY M. NAGATA DATE '04/01/09

CHECKED BY K. TOJO DATE '04/01/09

APPROVED BY DATE

TITLE 0.5 FPC CONN ASSY ZIF

-LEAD FREE-

molex

MATERIAL NO. ENTER PART DOCUMENT NO. SD-52893-041 SHEET NO. 2 OF 2

DRAFT WHERE APPLICABLE MUST REMAIN WITHIN DIMENSIONS

SIZE A3 THIS DRAWING CONTAINS INFORMATION THAT IS PROPRIETARY TO MOLEX ELECTRONIC TECHNOLOGIES, LLC AND SHOULD NOT BE USED WITHOUT WRITTEN PERMISSION