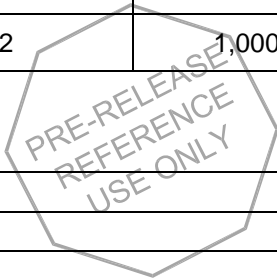


1. 製品名称／PRODUCT NAME : 1.25 WIRE TO BOARD CONN. WAFER ASSY R/A  
 製品番号／PART NUMBER : 53048-\*\*-10  
 53048-\*\*-50  
 53048-86\*\*  
 53048-96\*\*  
 (\*\*は極数を示す)  
 (\*\* IS CIRCUITS SIZE)

2. 標準梱包数／STANDARD PACKAGING QUANTITY

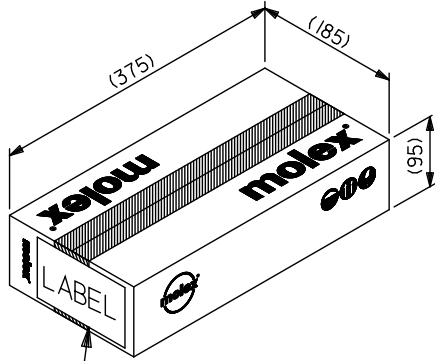
極数 CKT. SIZE	プラスチックトレイ(15升) PLASTIC TRAY (15 POCKETS)	内装カートン PRIMARY CARTON		外装カートン SHIPPING CARTON
	1トレイ製品数 QTY. IN ONE TRAY	トレイ枚数 NUMBER OF TRAYS	製品数 QUANTITY	製品数(内装カートン×4) QUANTITY (PRIMARY CARTON X4)
2	2,500	2	5,000	20,000
3	2,500	2	5,000	20,000
4	2,500	2	5,000	20,000
5	2,000	2	4,000	16,000
6	1,000	2	2,000	8,000
7	1,000	2	2,000	8,000
8	1,000	2	2,000	8,000
9	1,000	2	2,000	8,000
10	1,000	2	2,000	8,000
11	1,000	2	2,000	8,000
12	1,000	2	2,000	8,000
13	500	2	1,000	4,000
14	500	2	1,000	4,000
15	500	2	1,000	4,000



REV.	D								
SHEET	1~2								
REVISE ON PC ONLY					TITLE:				
<b>D</b>	REVISED 170790 2018/01/16 Y.TOKUZONO				53048 梱包仕様書 SALES PACKAGING SPEC. FOR 53048				
	THIS DOCUMENT CONTAINS INFORMATION THAT IS PROPRIETARY TO MOLEX ELECTRONIC TECHNOLOGIES, LLC AND SHOULD NOT BE USED WITHOUT WRITTEN PERMISSION								
REV.	DESCRIPTION				WRITTEN BY:	CHECKED BY:	APPROVED BY:	DATE:	
	DESIGN CONTROL J	STATUS			Y.TOKUZONO	T.HARUYAMA	H.HIRATA	2003/02/18	

DOCUMENT NUMBER <b>SPK-53048-001</b>	FILE NAME SPK53048001.docx	SHEET 1 OF 2
---	-------------------------------	-----------------

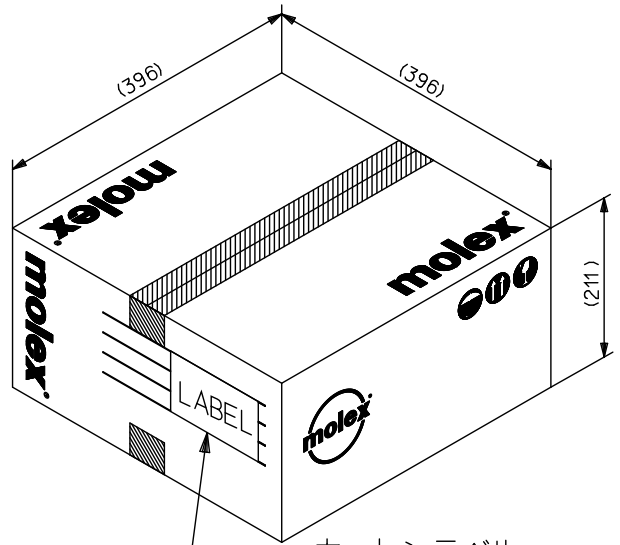
3. カートン外形参考寸法 / CARTON OUTER DIMENSIONS (REFERENCE PURPOSE ONLY) 単位 / UNIT: mm



現品票  
PART IDENTIFICATION LABEL

(製品型番, 数量, ロットNO. 表示)  
INDICATION OF PART No., QUANTITY, LOT No.

内装カートン  
PRIMARY CARTON



カートンラベル  
CARTON LABEL

(製品型番, 数量, ロットNO. 表示)  
INDICATION OF PART No., QUANTITY, LOT No.

外装カートン  
SHIPPING CARTON

4. 注記 / NOTE

輸送中に製品同士の絡みが発生する場合があります。その場合はピンを曲げない様、取り扱いには注意して下さい。

Disentangle the connectors carefully for the solder tails not to be bent if they are tangled each other in transportation.



REVISE ON PC ONLY		TITLE:	
<b>D</b>	SEE SHEET 1 OF 2	53048 梱包仕様書 SALES PACKAGING SPEC. FOR 53048	
	REV.	DESCRIPTION	THIS DOCUMENT CONTAINS INFORMATION THAT IS PROPRIETARY TO MOLEX ELECTRONIC TECHNOLOGIES, LLC AND SHOULD NOT BE USED WITHOUT WRITTEN PERMISSION
DOCUMENT NUMBER <b>SPK-53048-001</b>		FILE NAME SPK53048001.docx	SHEET 2 OF 2