

10 9 8 7 6 5 4 3 2 1

F

F

E

E

D

D

C

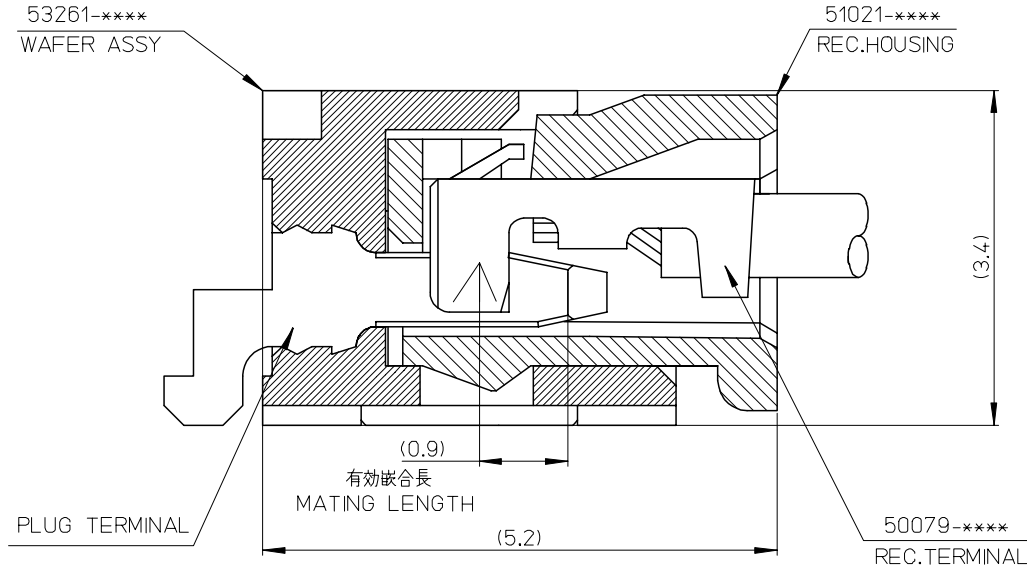
C

B

B

A

A

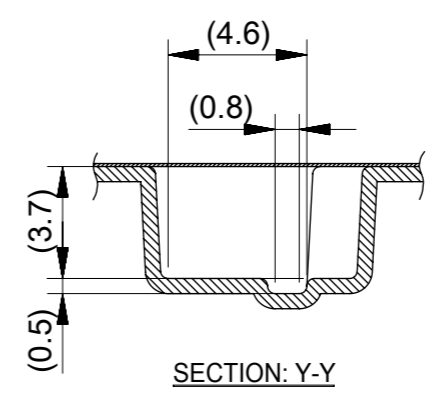
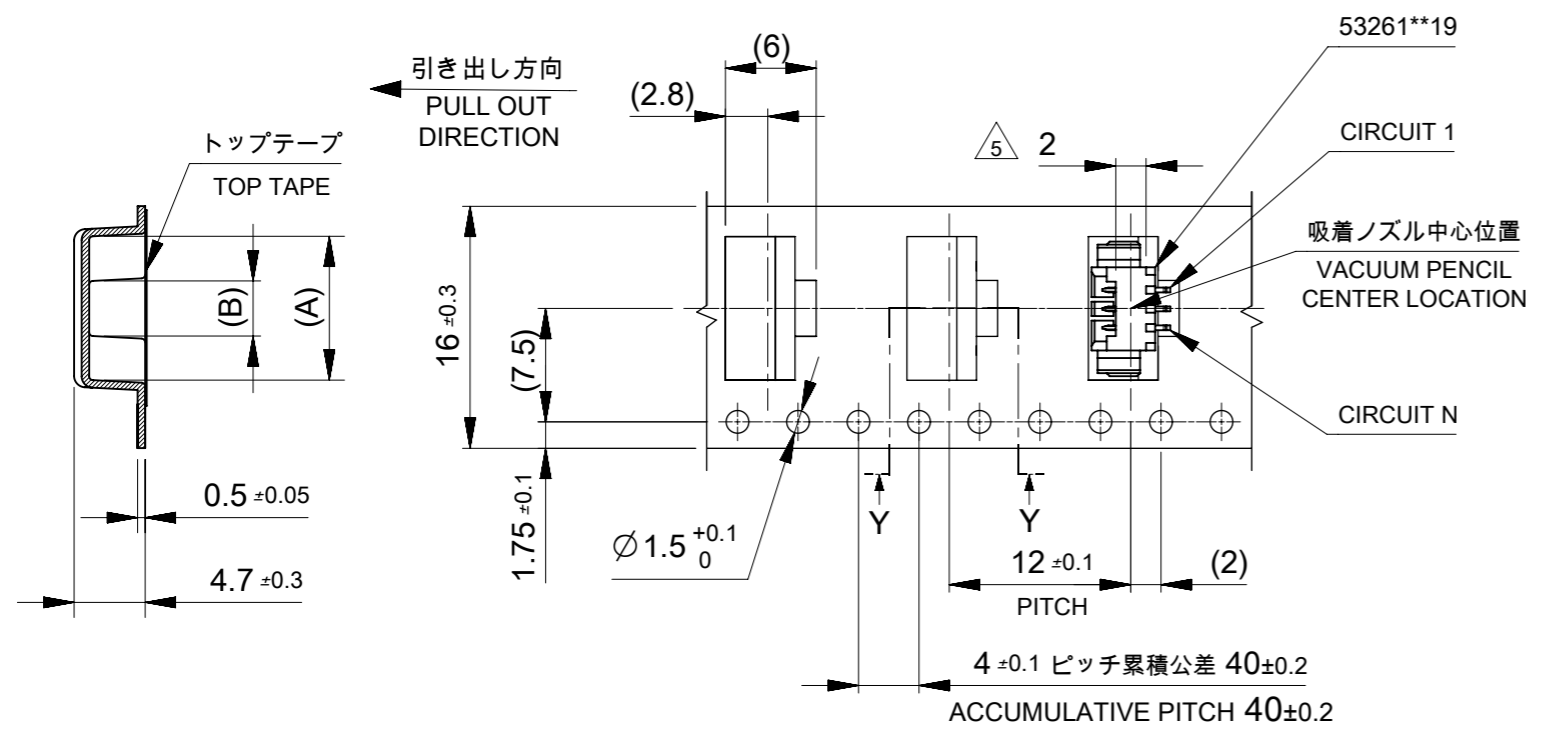
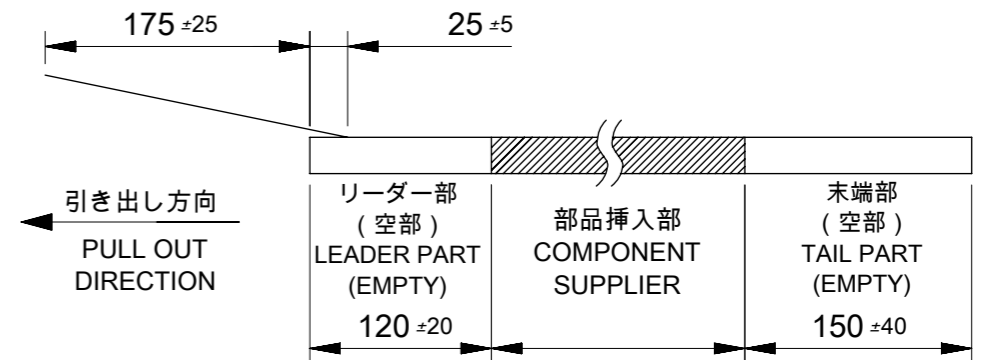
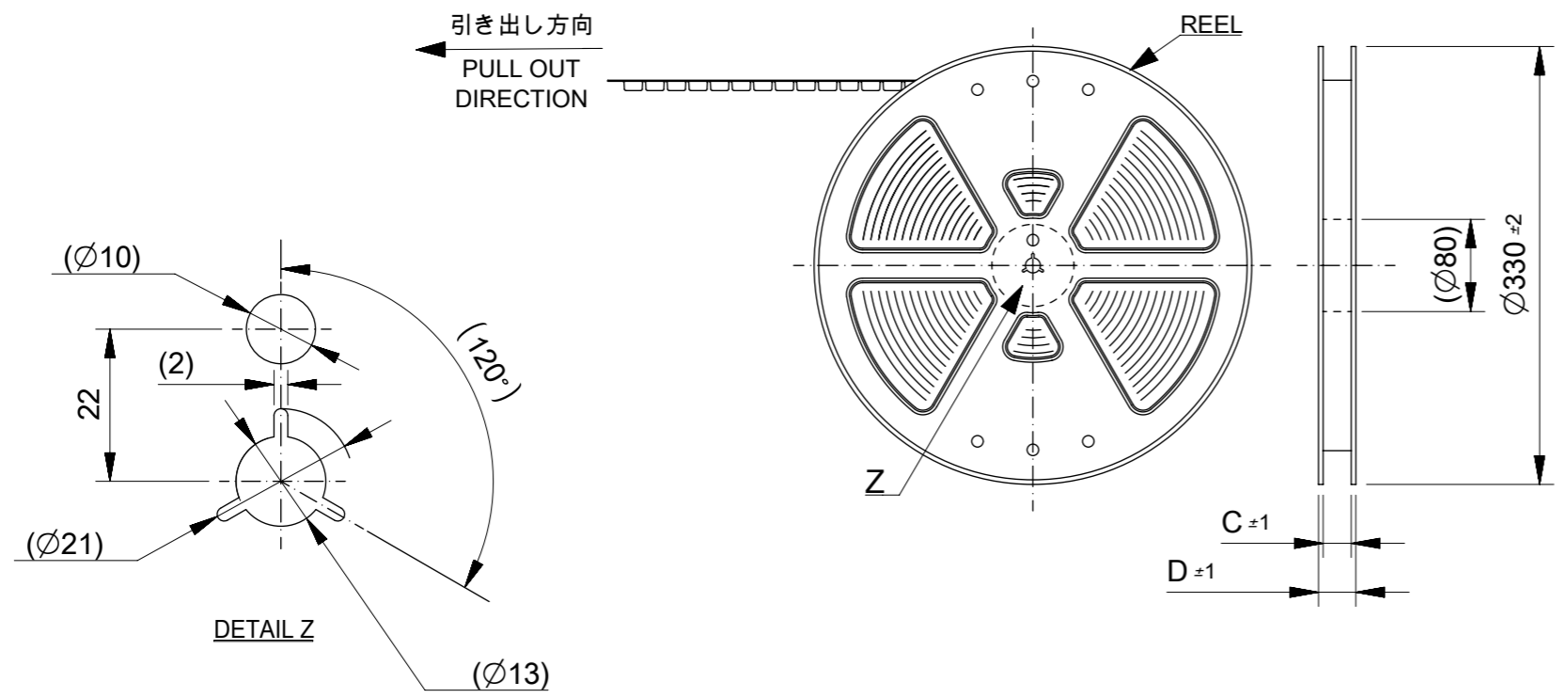


53261-****	WAFER ASSY	MODEL NO./MATERIAL NO.
50079-****	TERMINAL	
51021-****	HOUSING	

RELEASED EC NO: J2006-2426 DRWN: A0YAGI 2006/02/02 CHKD: YMAEDA 2006/02/03 APPR: NUKITA 2006/02/07	GENERAL TOLERANCES (UNLESS SPECIFIED)		DIMENSION STYLE MM ONLY		SCALE ---	DESIGN UNITS METRIC	THIRD ANGLE PROJECTION	
	10 UNDER	± ---	DRAWN BY Y. A0YAGI	DATE 2006/01/30	TITLE 1.25 W-TO-B CONN. 51021,53261 MATING CROSS SECTION			
	10 OVER 30 UNDER	± ---	CHECKED BY Y. MAEDA	DATE 2006/01/30	MOLEX INCORPORATED			
	30 OVER	± ---	APPROVED BY N. UKITA	DATE 2006/01/30	DOCUMENT NO. SD-51021-002			
	ANGULAR	± --- °	MATERIAL NO. SEE CHART		SHEET NO. 1 OF 1			
0	DRAFT WHERE APPLICABLE MUST REMAIN WITHIN DIMENSIONS		SIZE A3		THIS DRAWING CONTAINS INFORMATION THAT IS PROPRIETARY TO MOLEX INCORPORATED AND SHOULD NOT BE USED WITHOUT WRITTEN PERMISSION			

注釈 NOTE

- コネクタ53261**19の詳細寸法については図面SD-53261-024をご参照ください。
REFER TO DRAWING SD-53261-024 FOR DETAIL DIMENSIONS OF CONNECTOR 53261**19.
- 梱包数量: 1000個/リール
NUMBER OF CONNECTOR: 1000PCS/REEL
- リードテープ長さ LEAD TAPE LENGTH
 トップテープリーダー部 TOP TAPE LEADER PART: 175 ±25
 トップテープ未装着部 TOP TAPE NON-BONDED PART: 25 ±5
- 材料 (MATERIAL)
 キャリアテープ (CARRIER TAPE): ポリプロピレン (POLYPROPYLENE)
 トップテープ (TOP TAPE): PET, PE, PEF
 リール (REEL): ポリスチレン (PS) <リサイクル材含む> POLYSTYREN (PS) <RECYCLE MATERIAL CONTAINED>
- コネクタハウジング平面部
CONNECTOR HOUSING FLAT AREA.
- 本製品は乾燥剤入りハイバリア梱包仕様である。
THIS PRODUCT IS HIGH BARRIER PACKAGE WITH DESICCANT.

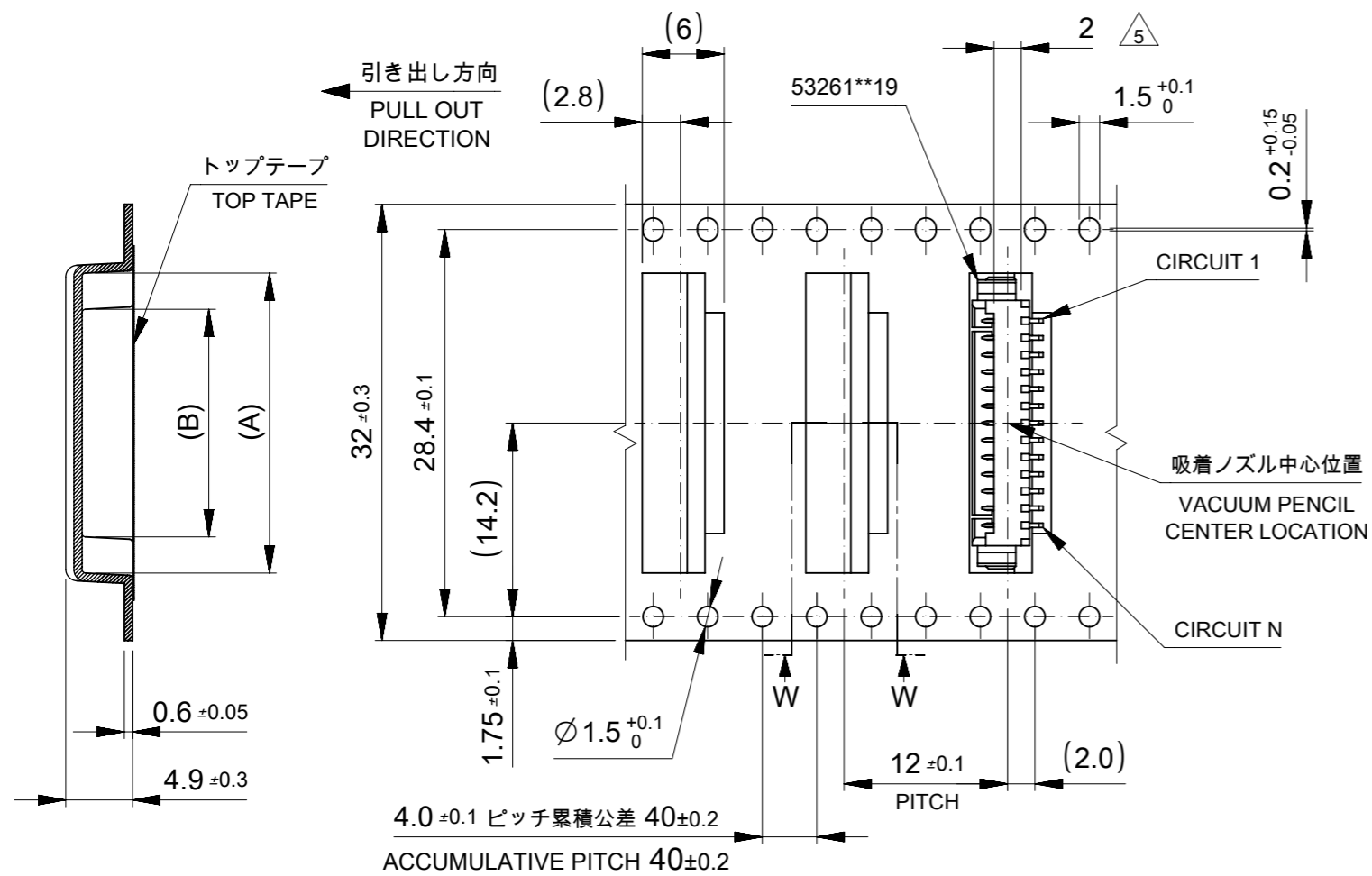


PRE-RELEASE
REFERENCE
USE ONLY

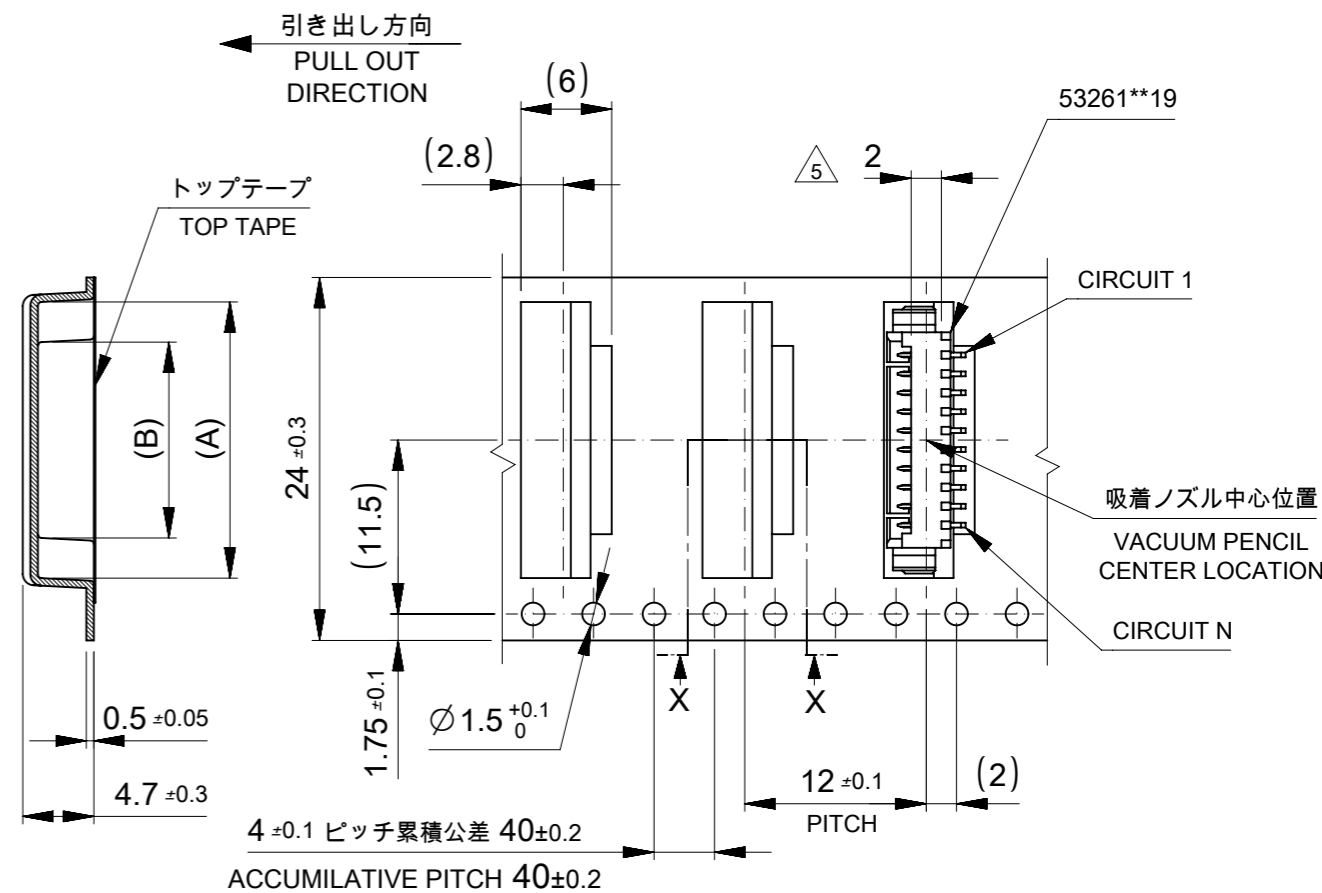
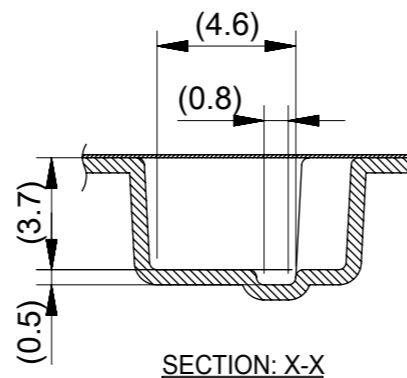
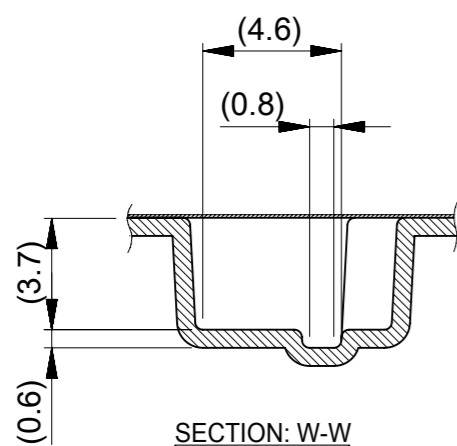
16mm幅キャリアテープ
16mm WIDTH CARRIER TAPE

16	21.4	17.4	3.7	9.5	532610371	3				
			2.45	8.25	532610271	2				
キャリアテープ幅 CARRIER TAPE WIDTH					D	C	B	A	EMBOSSED TAPE PACKAGE	極数
					オーダー番号 ORDER NO.				CIRCUIT	

THIS DRAWING CONTAINS INFORMATION THAT IS PROPRIETARY TO MOLEX ELECTRONIC TECHNOLOGIES, LLC AND SHOULD NOT BE USED WITHOUT WRITTEN PERMISSION											
DIMENSION UNITS		SCALE		CURRENT REV DESC:							
mm		NTS		molex PICOBLADE 1.25 W/B CONN. SMT R/A EMBOSSED TAPE PACKAGE PRODUCT CUSTOMER DRAWING							
GENERAL TOLERANCES (UNLESS SPECIFIED)				EC NO: 626512 DRWN: SOBARA01 2019/10/29 CHK'D: KOMURAKAMI 2019/10/30 APPR: AIDA 2019/10/30 INITIAL REVISION: DRWN: HSHIMABUKURO 2004/02/20 APPR: MSASAO 2004/02/20							
ANGULAR TOL ± 3.0 °				DOCUMENT NUMBER: SD-53261-023							
4 PLACES ± 0.2				DOC TYPE: PSD							
3 PLACES ± 0.2				DOC PART: 001							
2 PLACES ± 0.2				REVISION: F							
1 PLACE ± 0.2				MATERIAL NUMBER: SEE CHART							
0 PLACES ± 0.2				CUSTOMER: GENERAL MARKET							
DRAFT WHERE APPLICABLE MUST REMAIN WITHIN DIMENSIONS				THIRD ANGLE PROJECTION		DRAWING: A3-SIZE		SERIES: 53261		SHEET NUMBER: 1 OF 4	



32mm幅キャリアテープ
32mm WIDTH CARRIER TAPE



24mm幅キャリアテープ
24mm WIDTH CARRIER TAPE

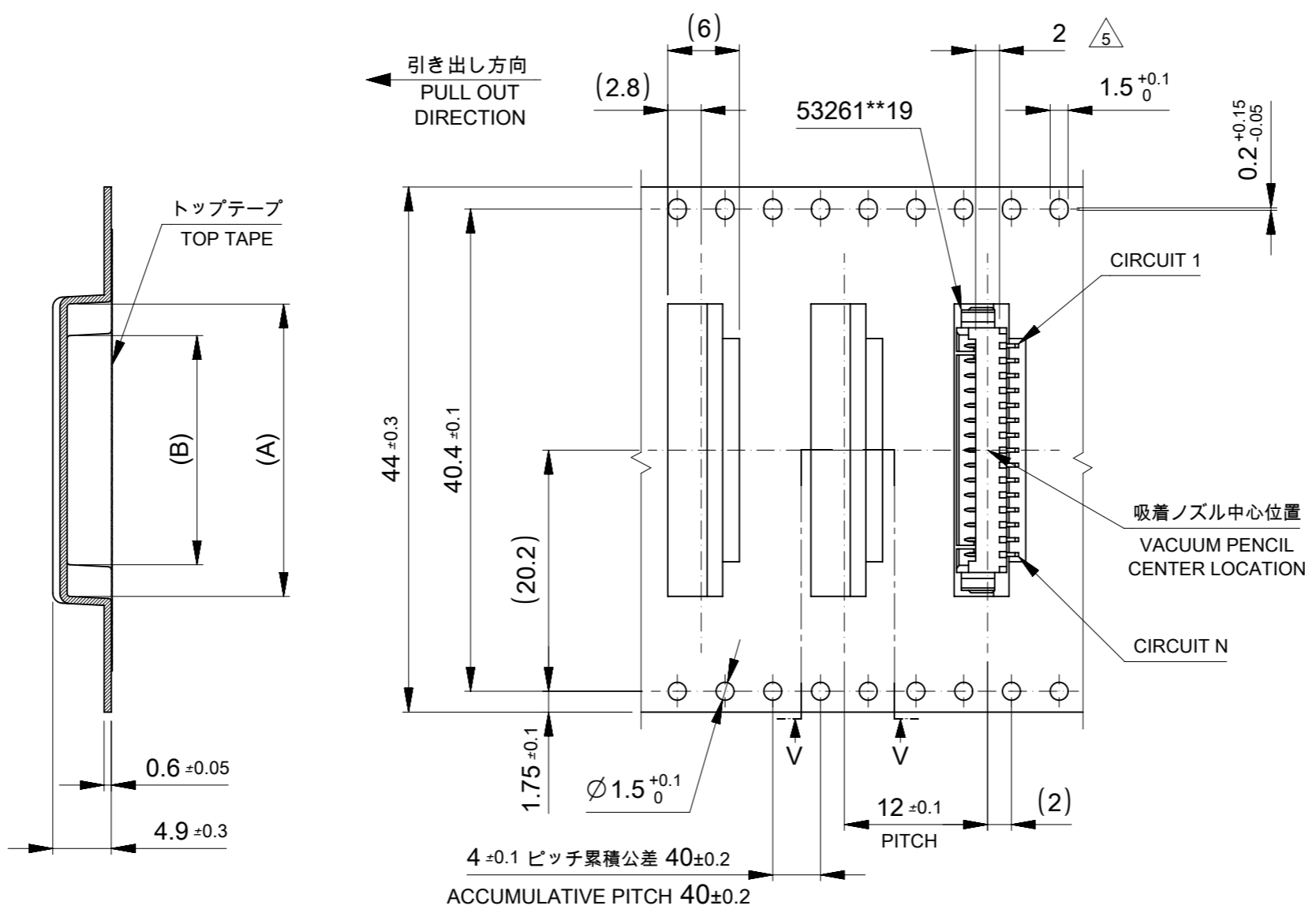
32	37.4	33.4	16.2	22	532611371	13	
			14.95	20.75	532611271	12	
			13.7	19.5	532611171	11	
24	29.4	25.4	12.45	18.25	532611071	10	
			11.2	17	532610971	9	
			9.95	15.75	532610871	8	
			8.7	14.5	532610771	7	
			7.45	13.25	532610671	6	
			6.2	12	532610571	5	
			4.95	10.75	532610471	4	
キャリアテープ幅 CARRIER TAPE WIDTH		D	C	B	A	EMBOSSED TAPE PACKAGE オーダー番号 ORDER NO.	極数 CIRCUIT

PRE-RELEASE
REFERENCE
USE ONLY

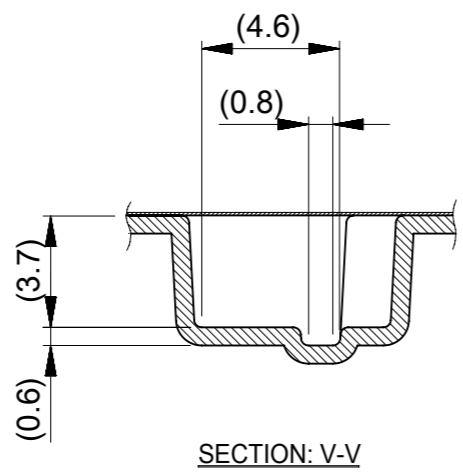
THIS DRAWING CONTAINS INFORMATION THAT IS PROPRIETARY TO MOLEX ELECTRONIC TECHNOLOGIES, LLC AND SHOULD NOT BE USED WITHOUT WRITTEN PERMISSION

DIMENSION UNITS mm	SCALE NTS	CURRENT REV DESC:		molex		
GENERAL TOLERANCES (UNLESS SPECIFIED)		EC NO: 626512				
ANGULAR TOL	± 3.0°	DRWN: SOBARA01	2019/10/29	PRODUCT CUSTOMER DRAWING		
4 PLACES	± 0.2	CHK'D: KOMURAKAMI	2019/10/30	DOCUMENT NUMBER		
3 PLACES	± 0.2	APPR: AIDA	2019/10/30	SD-53261-023		
2 PLACES	± 0.2	INITIAL REVISION:		DOC TYPE	DOC PART	REVISION
1 PLACE	± 0.2	DRWN: HSHIMABUKURO	2004/02/20	PSD	001	F
0 PLACES	± 0.2	APPR: MSASAO	2004/02/20	SHEET NUMBER		
DRAFT WHERE APPLICABLE MUST REMAIN WITHIN DIMENSIONS		THIRD ANGLE PROJECTION	DRAWING	SERIES	MATERIAL NUMBER	CUSTOMER
			A3-SIZE	53261	SEE CHART	GENERAL MARKET

DOCUMENT STATUS	RELEASE DATE
-----------------	--------------



44mm幅キャリアテープ
44mm WIDTH CARRIER TAPE



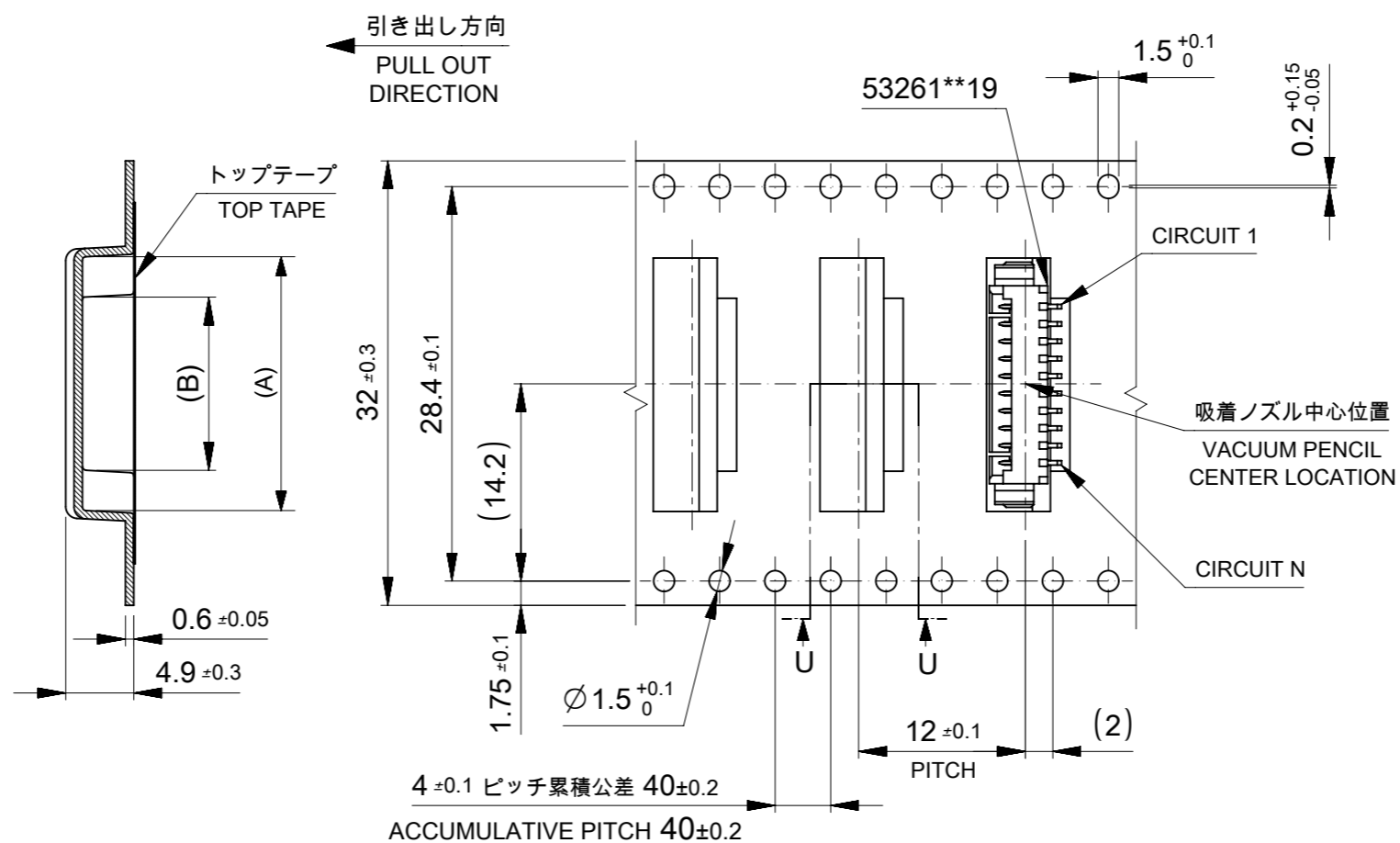
PRE-RELEASE
REFERENCE
USE ONLY

44	49.4	45.4	21.2	27	532611771	17
			18.7	24.5	532611571	15
			17.45	23.25	532611471	14
キャリアテープ幅 CARRIER TAPE WIDTH	D	C	B	A	EMBOSSED TAPE PACKAGE	極数 CIRCUIT
					オーダー番号 ORDER NO.	

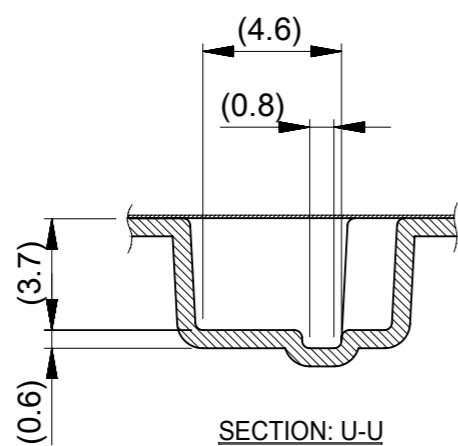
THIS DRAWING CONTAINS INFORMATION THAT IS PROPRIETARY TO MOLEX ELECTRONIC TECHNOLOGIES, LLC AND SHOULD NOT BE USED WITHOUT WRITTEN PERMISSION		CURRENT REV DESC:		molex	
DIMENSION UNITS	SCALE				
mm	NTS			PICOBLADE 1.25 W/B CONN. SMT R/A EMBOSSED TAPE PACKAGE	
GENERAL TOLERANCES (UNLESS SPECIFIED)		EC NO: 626512		PRODUCT CUSTOMER DRAWING	
ANGULAR TOL	± 3.0 °	DRWN: SOBARA01	2019/10/29	DOCUMENT NUMBER	
4 PLACES	± 0.2	CHK'D: KOMURAKAMI	2019/10/30	SD-53261-023	
3 PLACES	± 0.2	APPR: AIDA	2019/10/30	DOC TYPE	DOC PART
2 PLACES	± 0.2	INITIAL REVISION:		PSD	001
1 PLACE	± 0.2	DRWN: HSHIMABUKURO	2004/02/20	REVISION	F
0 PLACES	± 0.2	APPR: MSASAO	2004/02/20	SHEET NUMBER	
DRAFT WHERE APPLICABLE MUST REMAIN WITHIN DIMENSIONS		THIRD ANGLE PROJECTION	DRAWING	SERIES	MATERIAL NUMBER
			A3-SIZE	53261	SEE CHART
				CUSTOMER	GENERAL MARKET
					3 OF 4

DOCUMENT STATUS	RELEASE DATE
-----------------	--------------

532611071
 韓国生産分に適用
 APPLIES TO PRODUCT
 PRODUCED BY MXK



32mm幅キャリアテープ
 32mm WIDTH CARRIER TAPE



PRE-RELEASE
 REFERENCE
 USE ONLY

32	37.4	33.4	12.45	18.25	532611071	10
キャリアテープ幅 CARRIER TAPE WIDTH	D	C	B	A	EMBOSSED TAPE PACKAGE	極数 CIRCUIT
					オーダー番号 ORDER NO.	

THIS DRAWING CONTAINS INFORMATION THAT IS PROPRIETARY TO MOLEX ELECTRONIC TECHNOLOGIES, LLC AND SHOULD NOT BE USED WITHOUT WRITTEN PERMISSION		CURRENT REV DESC:		molex	
DIMENSION UNITS	SCALE				
mm	NTS			PICOBLADE 1.25 W/B CONN. SMT R/A EMBOSSED TAPE PACKAGE	
GENERAL TOLERANCES (UNLESS SPECIFIED)		EC NO: 626512		PRODUCT CUSTOMER DRAWING	
ANGULAR TOL	± 3.0 °	DRWN: SOBARA01	2019/10/29	DOCUMENT NUMBER	
4 PLACES	± 0.2	CHK'D: KOMURAKAMI	2019/10/30	SD-53261-023	
3 PLACES	± 0.2	APPR: AIDA	2019/10/30	DOC TYPE	DOC PART
2 PLACES	± 0.2	INITIAL REVISION:		PSD	001
1 PLACE	± 0.2	DRWN: HSHIMABUKURO	2004/02/20	REVISION	F
0 PLACES	± 0.2	APPR: MSASAO	2004/02/20		
DRAFT WHERE APPLICABLE MUST REMAIN WITHIN DIMENSIONS	THIRD ANGLE PROJECTION	DRAWING	SERIES	MATERIAL NUMBER	CUSTOMER
		A3-SIZE	53261	SEE CHART	GENERAL MARKET
					SHEET NUMBER
					4 OF 4

DOCUMENT STATUS	RELEASE DATE
-----------------	--------------

