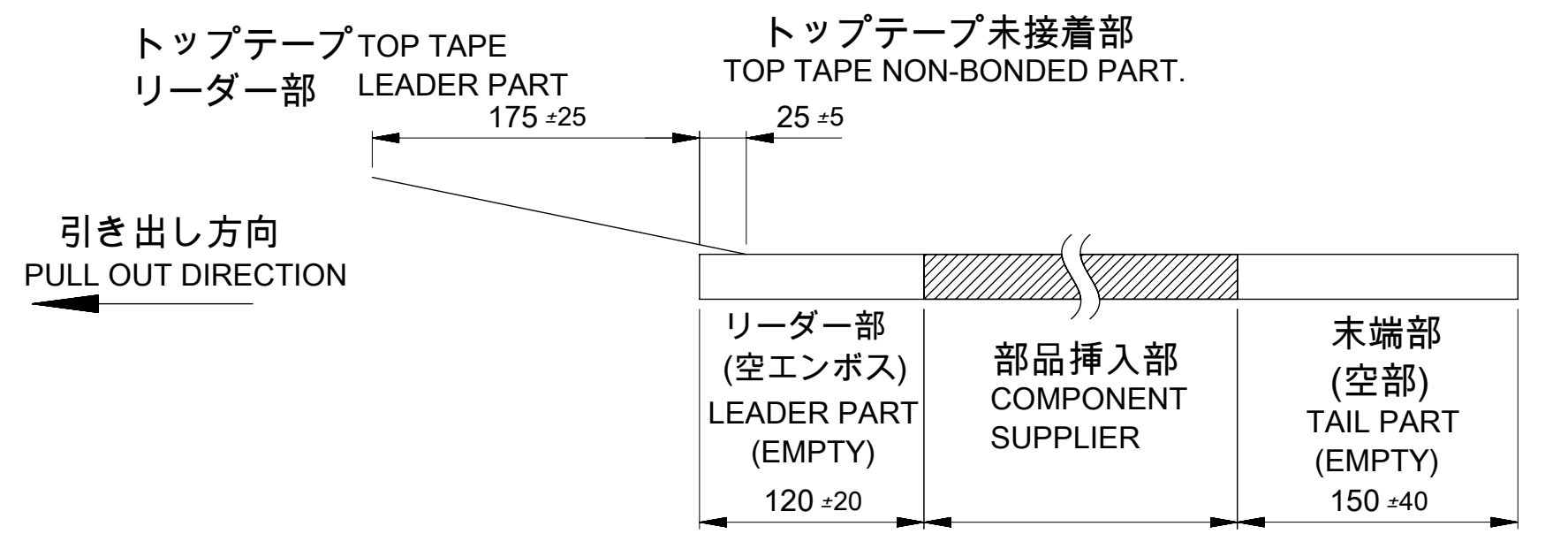


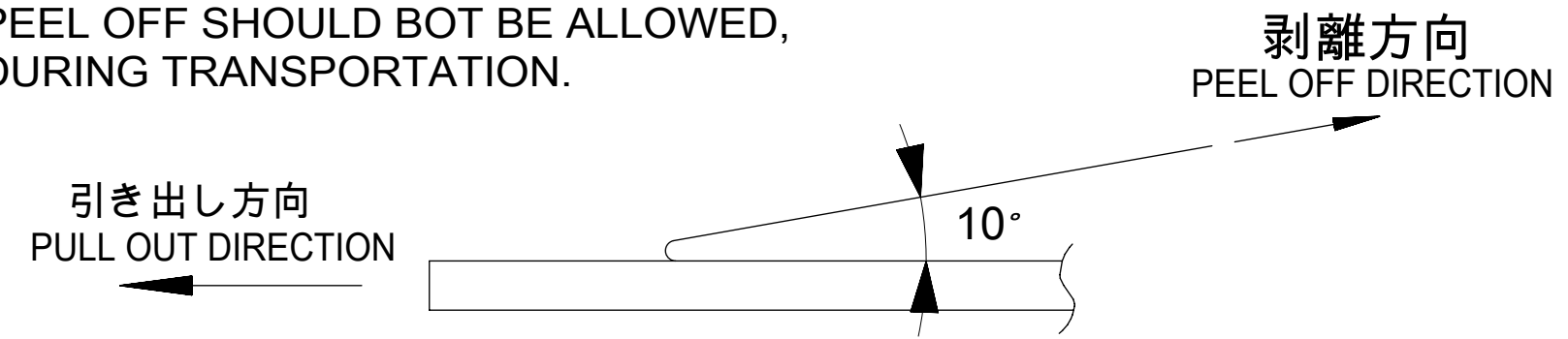
16mm幅キャリアテープ
16mm WIDTH CARRIER TAPE

注記 NOTES

- 梱包数量 : 1000個 / リール
NUMBER OF CONNECTORS : 1000 PCS/REEL.
- リードテープ長さ
LEAD TAPE LENGTH.



- トップテープの剥離強度 : (剥離方向は下図参照)
0.1N~1.3N (10gf~130gf) 尚、本規格値は、出荷時に適用。
(但し、輸送時に剥離が発生しない事。)
PEELING-OFF FORCE OF TOP TAPE : 0.1N~1.3N (10gf~130gf)
(PEELING DIRECTION AS SHOWN IN FOLLOWING FIG.)
THIS REQUIREMENT SHOULD BE APPLIED AT SHIPMENT
PEEL OFF SHOULD NOT BE ALLOWED,
DURING TRANSPORTATION.



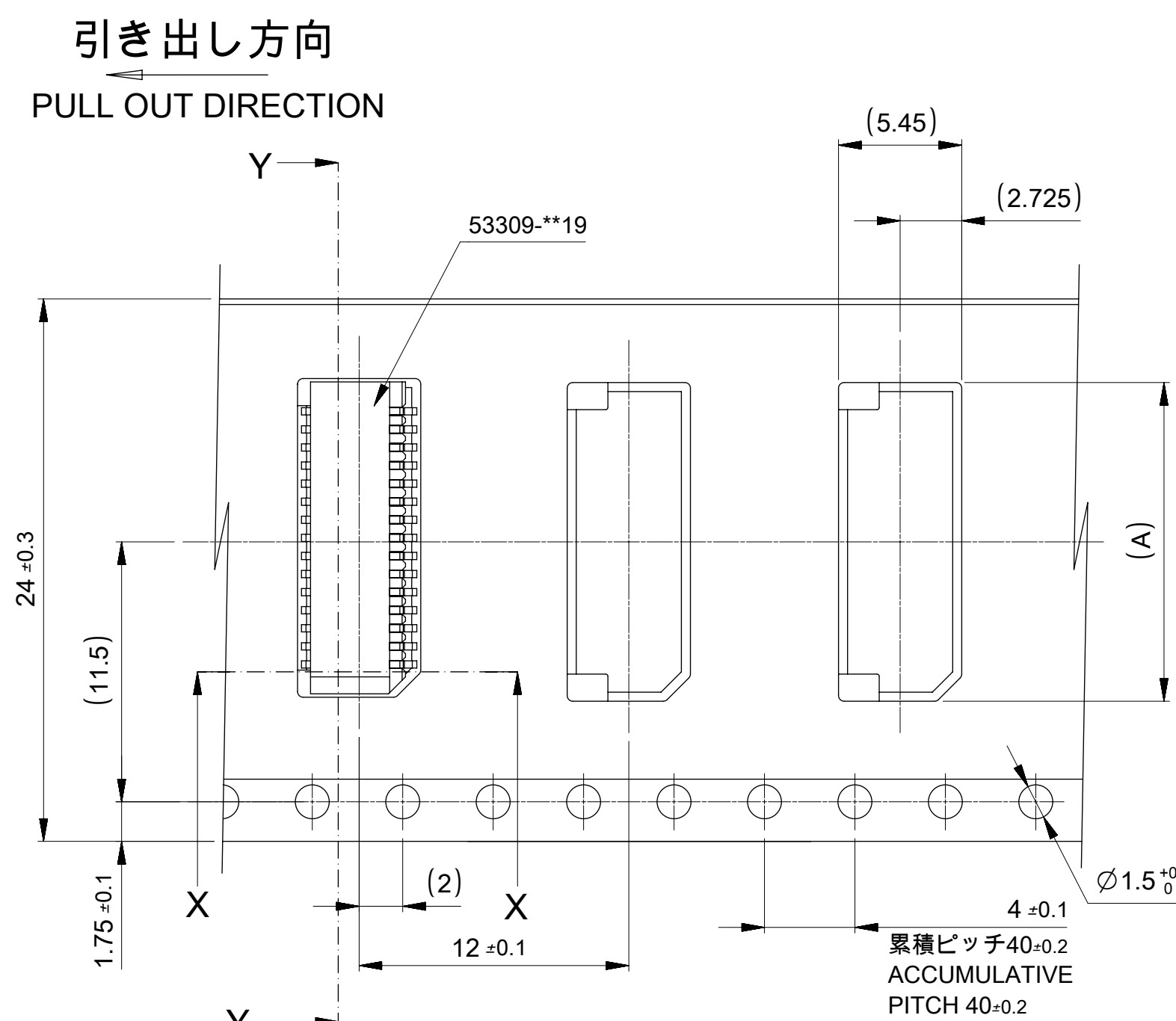
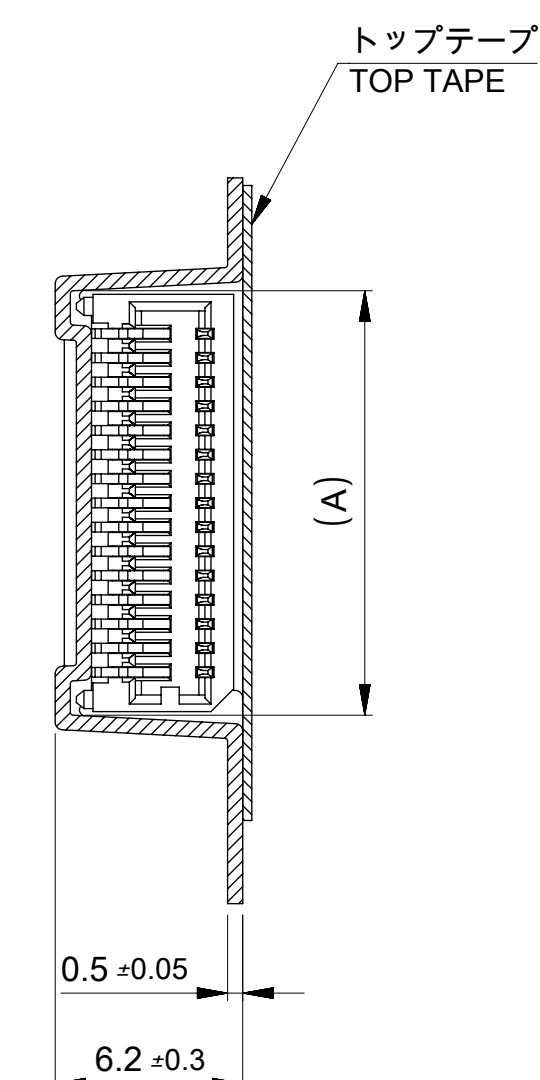
- 材料
キャリアテープ : ポリプロピレン
トップテープ : PET, PE, PEF
リール : ポリスチレン
<リサイクル材を含む>

MATERIAL
CARRIER TAPE: POLYPROPYLENE
TOP TAPE: PET, PE, PEF
REEL: POLYSTYRENE(PS)
<RECYCLE MATERIAL CONTAINED>

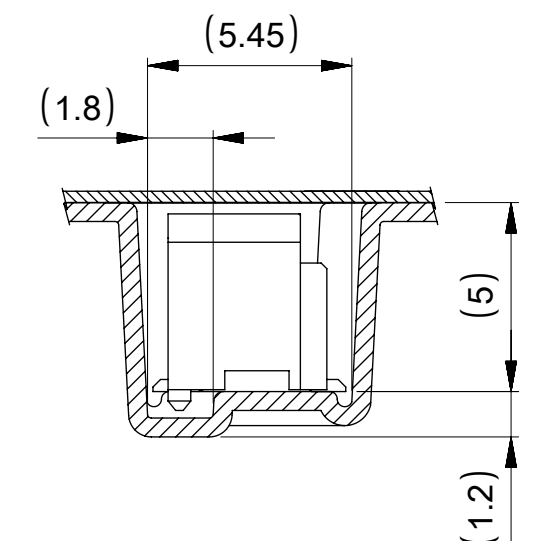
- 本製品は 53309-**90 の鉛フリー品である。
THIS PRODUCT IS LEAD FREE OF 53309-**90

PRE-RELEASE
REFERENCE
USE ONLY

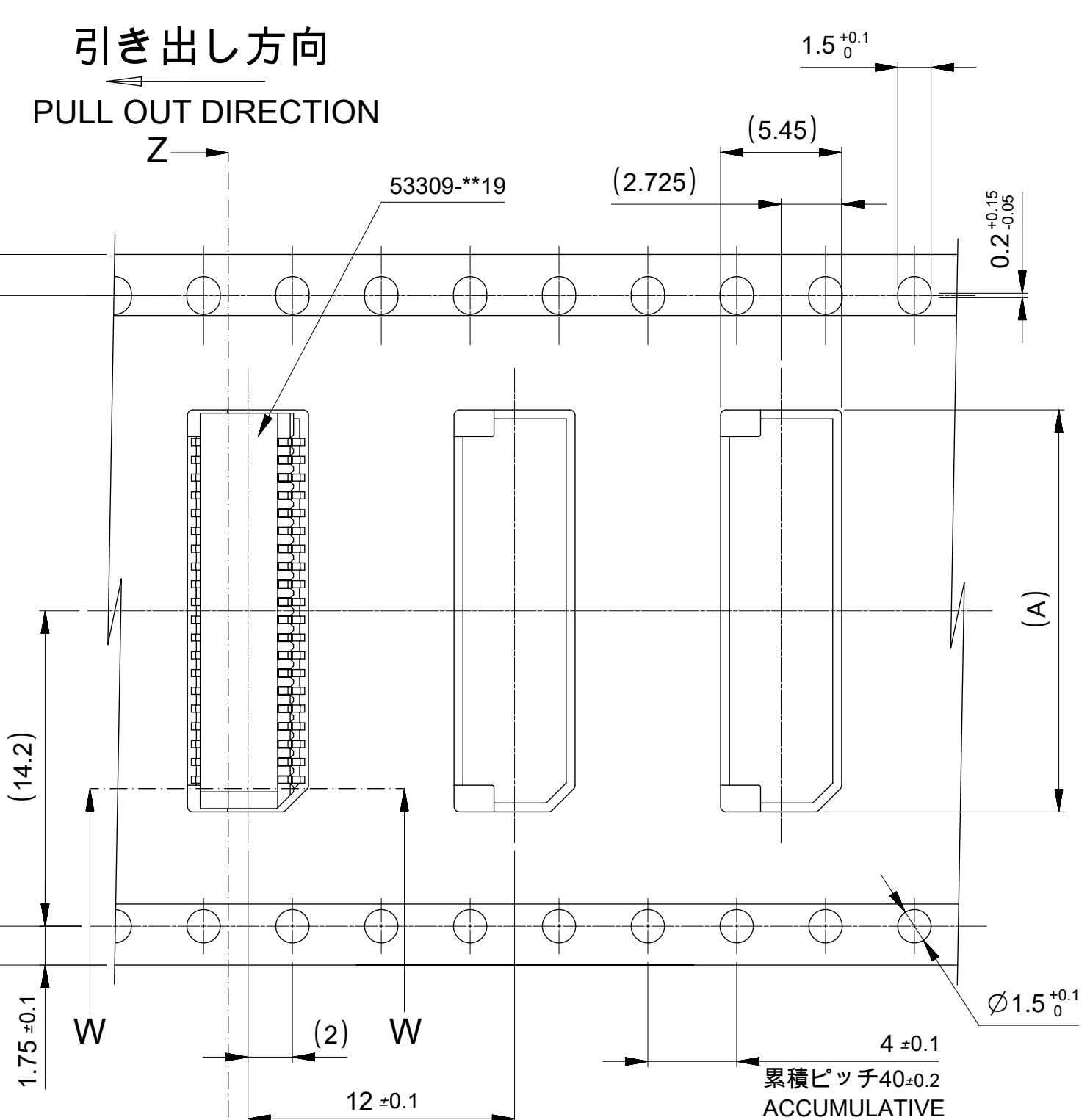
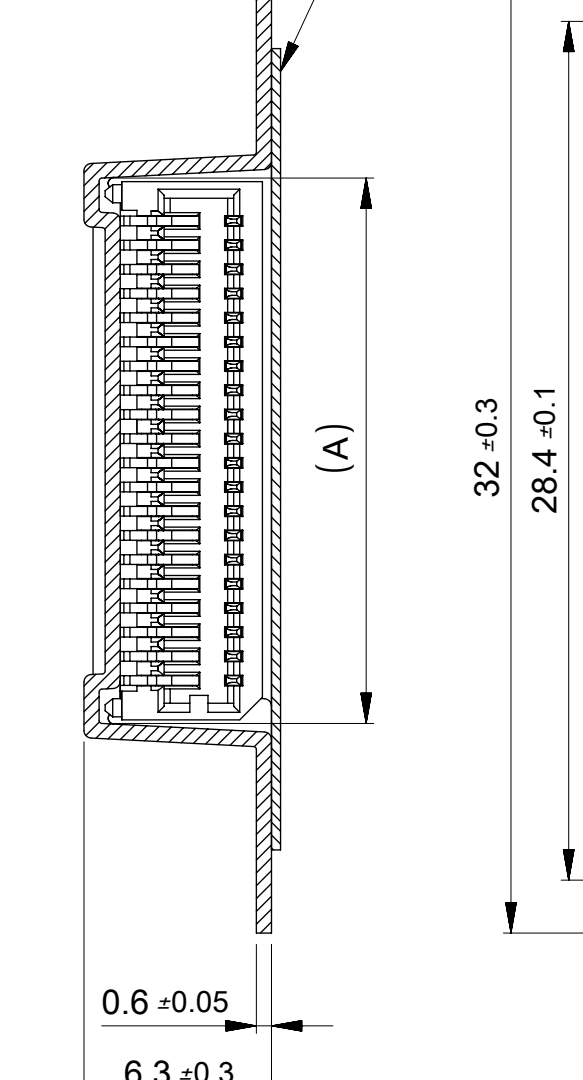
53309**71		キャリアテープ幅		16	21.4	17.4	9.3	53309-1871	18
MODEL NO.		CARRIER TAPE WIDTH		C	B	(A)	8.5	53309-1671	16
							7.7	53309-1471	14
							6.9	53309-1271	12
								MATERIAL NO.	極数
									CIRCUIT
THIS DRAWING CONTAINS INFORMATION THAT IS PROPRIETARY TO MOLEX ELECTRONIC TECHNOLOGIES, LLC AND SHOULD NOT BE USED WITHOUT WRITTEN PERMISSION									
EC NO: 609270 DRWN: RMIYAMOTO CHKD: KSASAKI REV: APPR:		GENERAL TOLERANCES (UNLESS SPECIFIED)		DIMENSION UNITS		SCALE			
		ANGULAR TOL ±		mm		NTS			
		4 PLACES ±		DRWN BY		DATE			
		3 PLACES ±		YSATO06		2017/03/23			
		2 PLACES ±		CHK'D BY		DATE		0.8 BB CONN. WITH BOSS PLUG ASSY PKG.	
		1 PLACE ±		KTANAKA03		2017/03/27			
		0 PLACES ±		APPR BY		DATE			
		DRAFT WHERE APPLICABLE MUST REMAIN WITHIN DIMENSIONS		TKUSUHARA01		2017/03/27		PRODUCT CUSTOMER DRAWING	
		DRAWING SIZE		THIRD ANGLE PROJECTION		SERIES		MATERIAL NUMBER	
		A2				53309		SEE CHART	
						DOCUMENT NUMBER		CUSTOMER	
						533090000		GENERAL	
						DOC TYPE		DOC PART	
						PSD		001	
						SHEET NUMBER		1 OF 2	



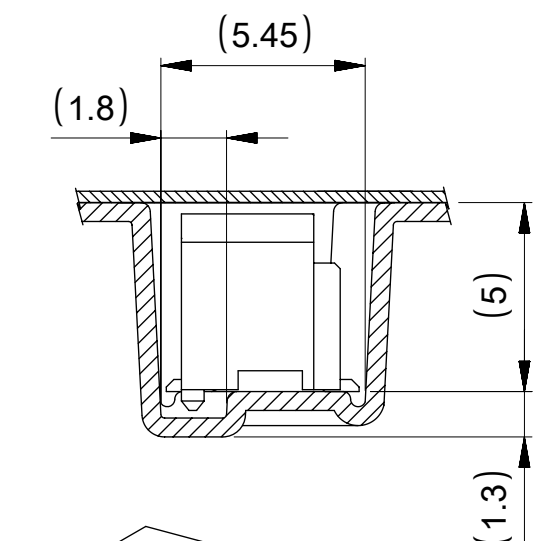
24mm幅キャリアテープ
24mm WIDTH CARRIER TAPE



SECTION : X-X



32mm幅キャリアテープ
32mm WIDTH CARRIER TAPE

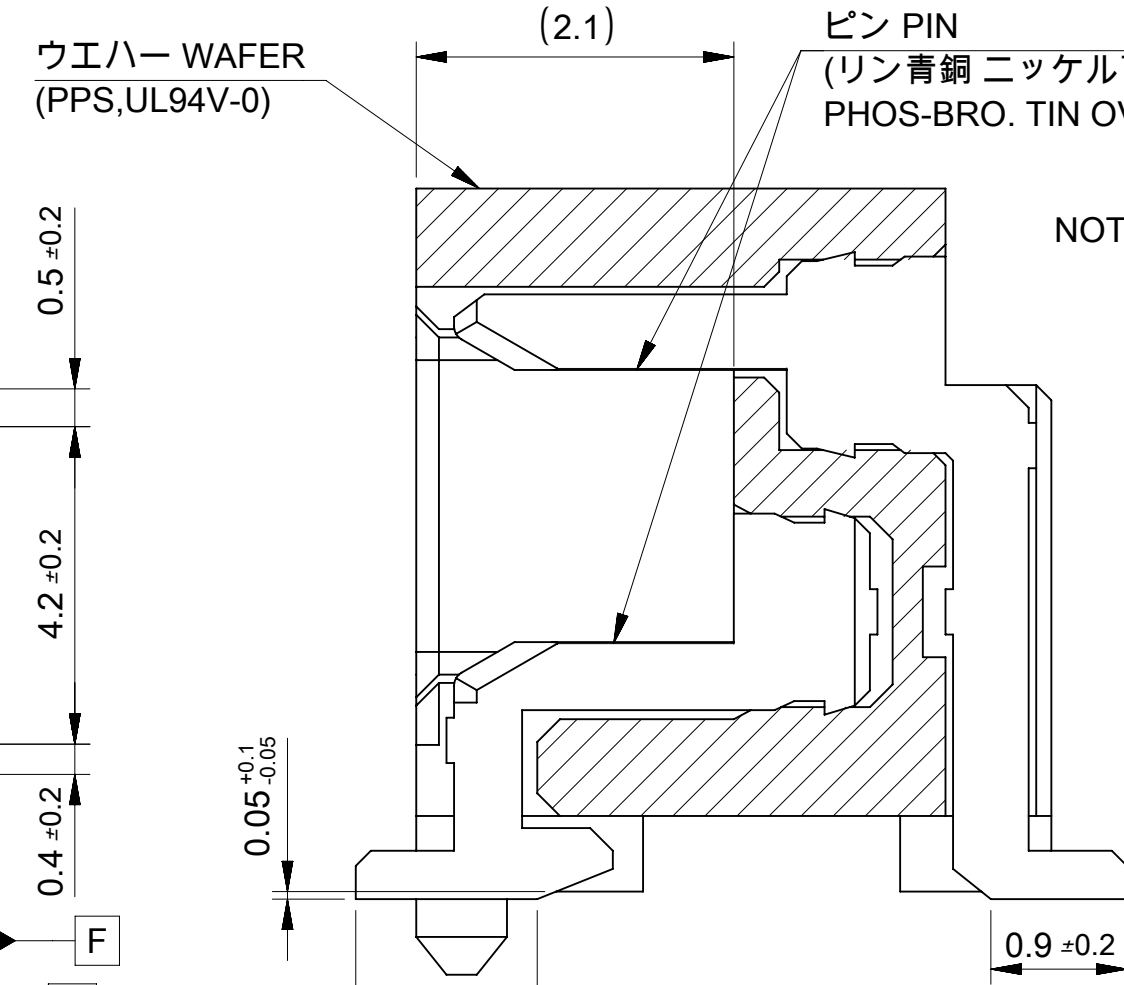
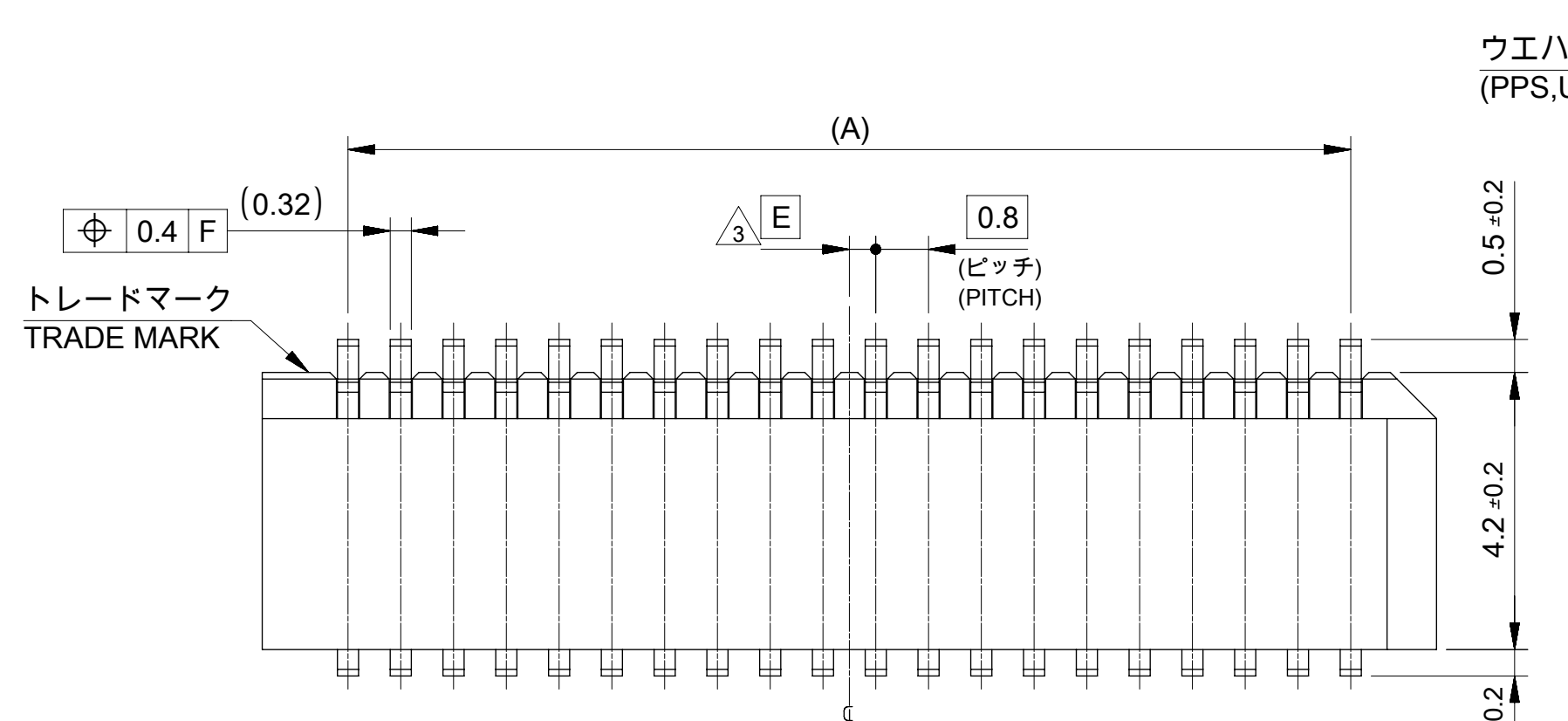


SECTION : W-W

PRE-RELEASE
REFERENCE
USE ONLY

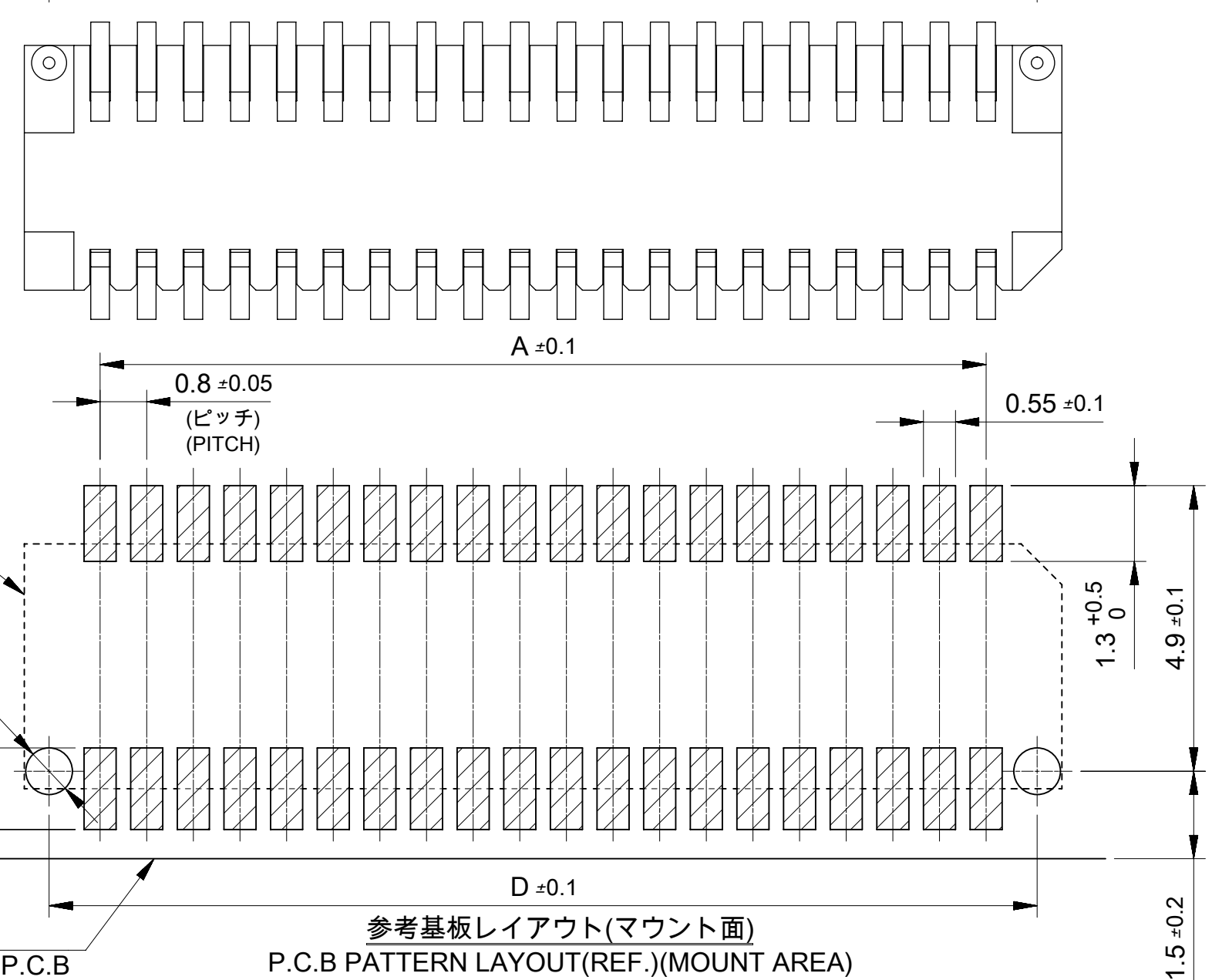
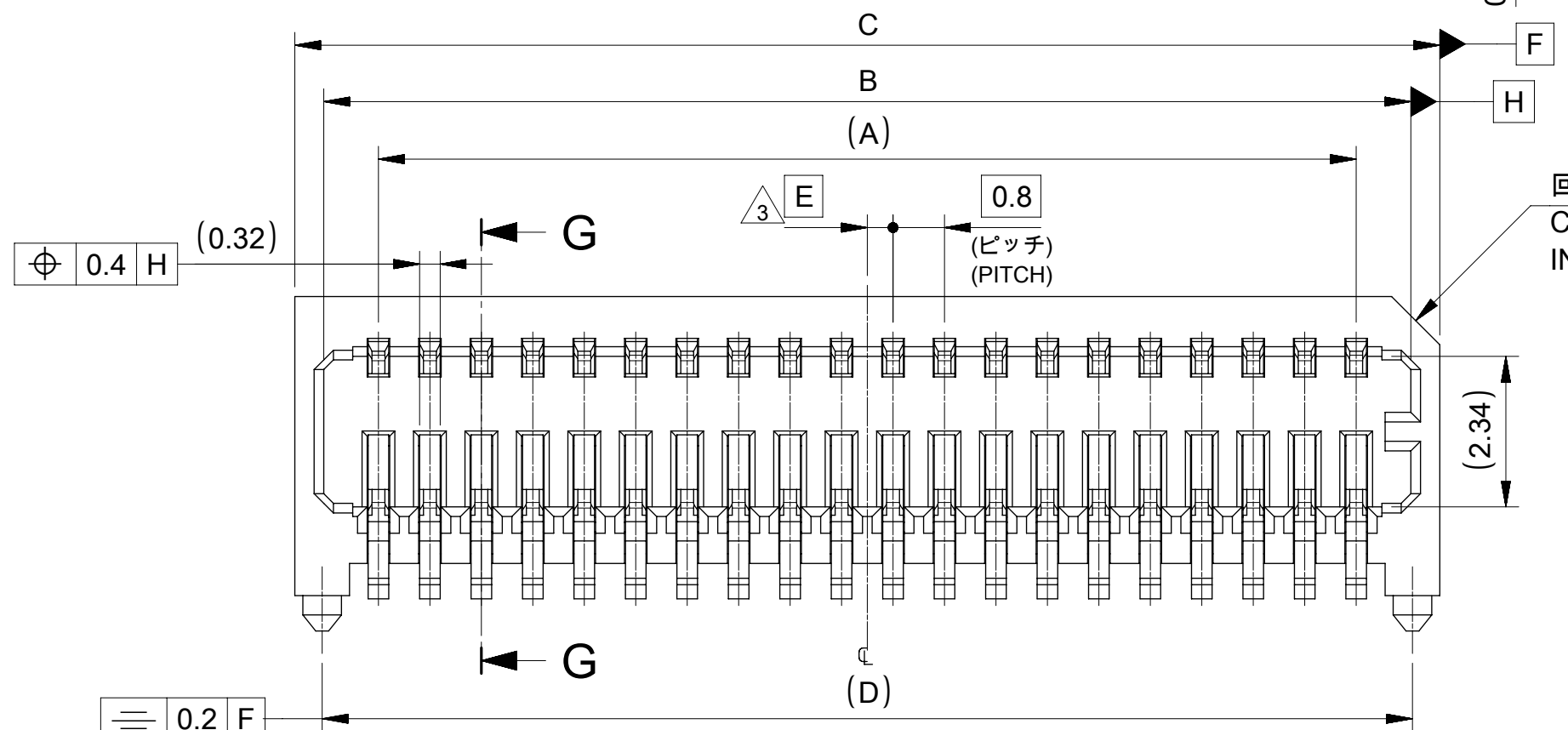
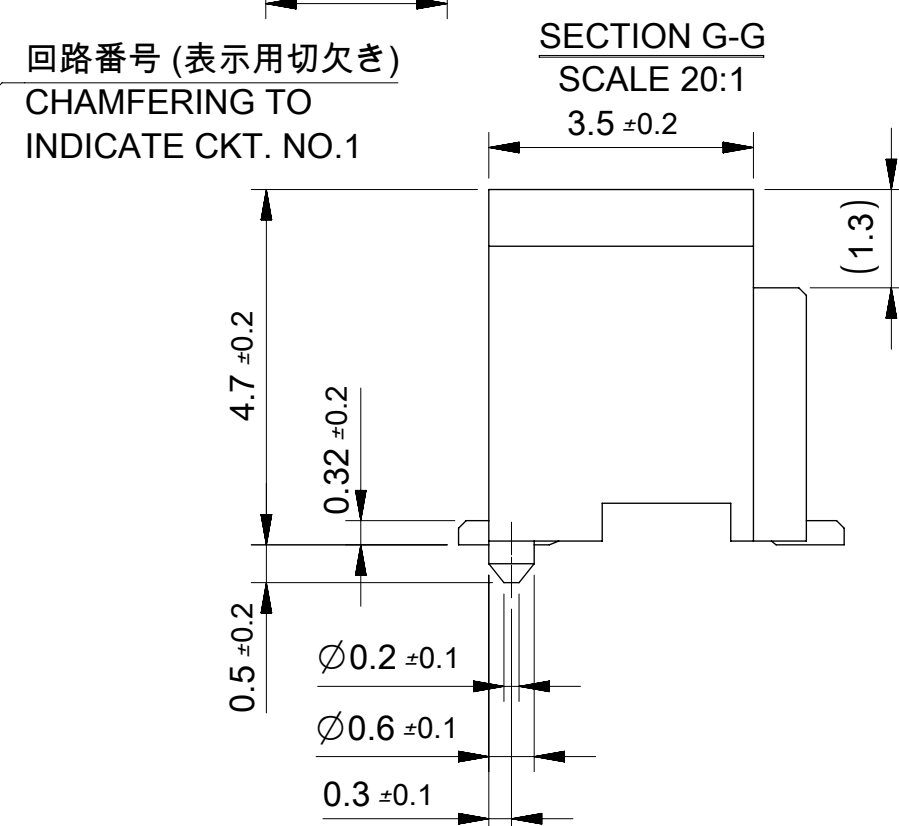
24	29.4	25.4	16.5	53309-3671	36		
			15.7	53309-3471	34		
			14.9	53309-3271	32		
			14.1	53309-3071	30		
			13.3	53309-2871	28		
			12.5	53309-2671	26		
			11.7	53309-2471	24		
			10.9	53309-2271	22		
10.1	53309-2071	20					
キャリアテープ幅 CARRIER TAPE WIDTH			C	B	(A)	MATERIAL NO.	極数 CIRCUIT

53309-**71		32		37.4	33.4	18.1	53309-4071	40			
MODEL NO.		キャリアテープ幅 CARRIER TAPE WIDTH		C	B	(A)	MATERIAL NO.	極数 CIRCUIT			
THIS DRAWING CONTAINS INFORMATION THAT IS PROPRIETARY TO MOLEX ELECTRONIC TECHNOLOGIES, LLC AND SHOULD NOT BE USED WITHOUT WRITTEN PERMISSION											
EC NO: 609270 DRWN: RMIYAMOTO CHKD: KSASAKI REV APPR:	GENERAL TOLERANCES (UNLESS SPECIFIED)		DIMENSION UNITS	SCALE							
	ANGULAR TOL ±		mm	NTS							
	4 PLACES ±	DRWN BY	DATE		0.8 BB CONN. WITH BOSS PLUG ASSY PKG.						
	3 PLACES ±	YSATO06	2017/03/23								
2 PLACES ±	CHK'D BY	DATE									
1 PLACE ±	KTANAKA03	2017/03/27									
0 PLACES ±	APPR BY	DATE		PRODUCT CUSTOMER DRAWING							
DRAFT WHERE APPLICABLE MUST REMAIN WITHIN DIMENSIONS		DRAWING SIZE	THIRD ANGLE PROJECTION		SERIES	MATERIAL NUMBER	CUSTOMER				
A2		A2		53309	SEE CHART	GENERAL					
B		B		DOCUMENT NUMBER	533090000	DOC TYPE	PSD	DOC PART	001	SHEET NUMBER	2 OF 2



- NOTES :
1. 嵌合相手 : 52465,52588シリーズ
MATE WITH : 52465,52588 SERIES.
 2. ウエハーの \square から隣接するピンの \square 迄の位置を示す。
SHOW POSSITION FROM \square OF WAFER TO \square OF ADJACENT PINS.
 3. 本製品は53309-**17 の鉛フリー品である。
THIS PRODUCT IS LEAD FREE OF 53309-**17.
 4. B,C 寸法公差
DIMENSION TOLERANCES OF B,C.

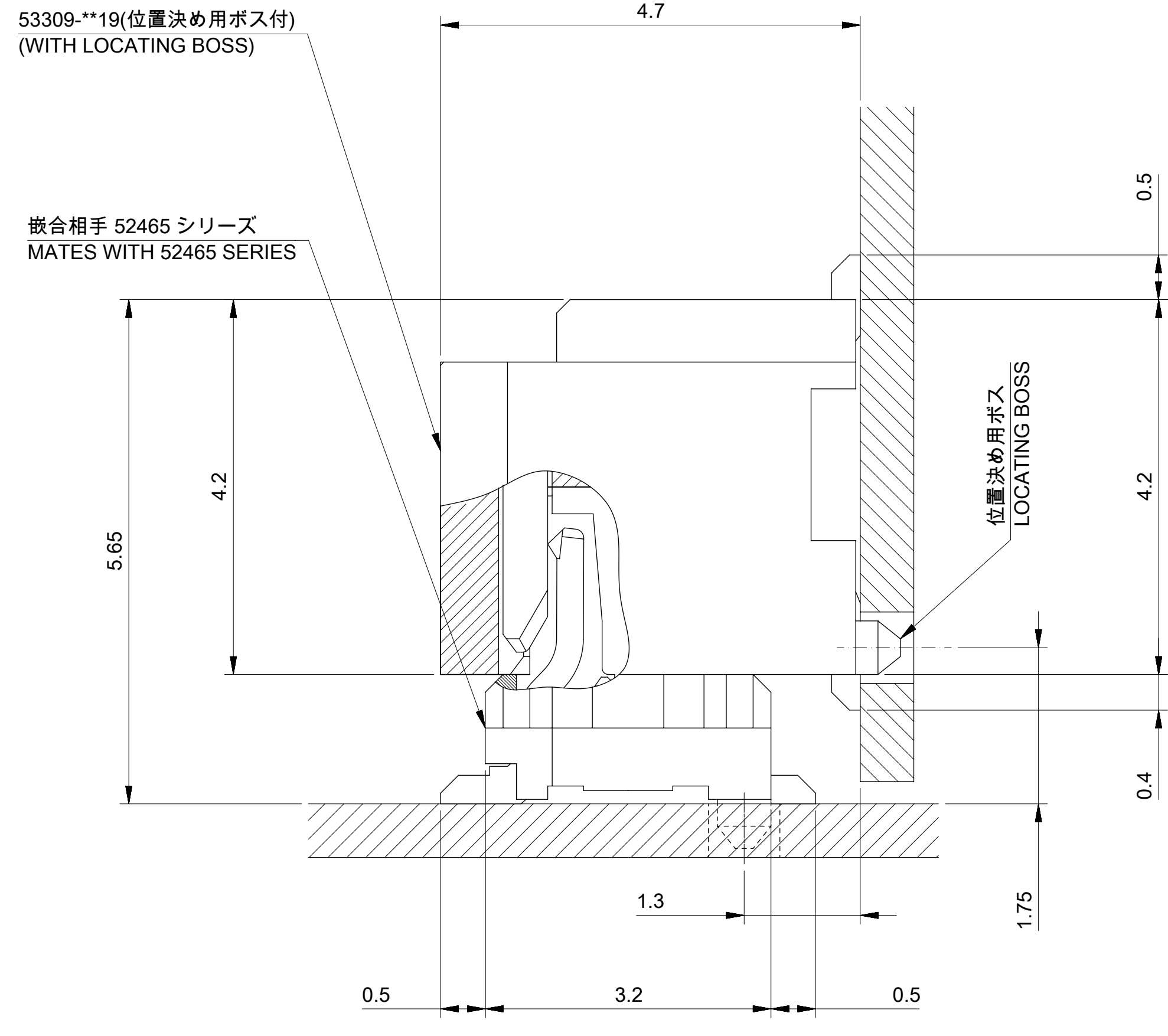
DIMENSION	TOLERANCE
10 UNDER	± 0.2
10 OVER 30 UNDER	± 0.25
30 OVER	± 0.3



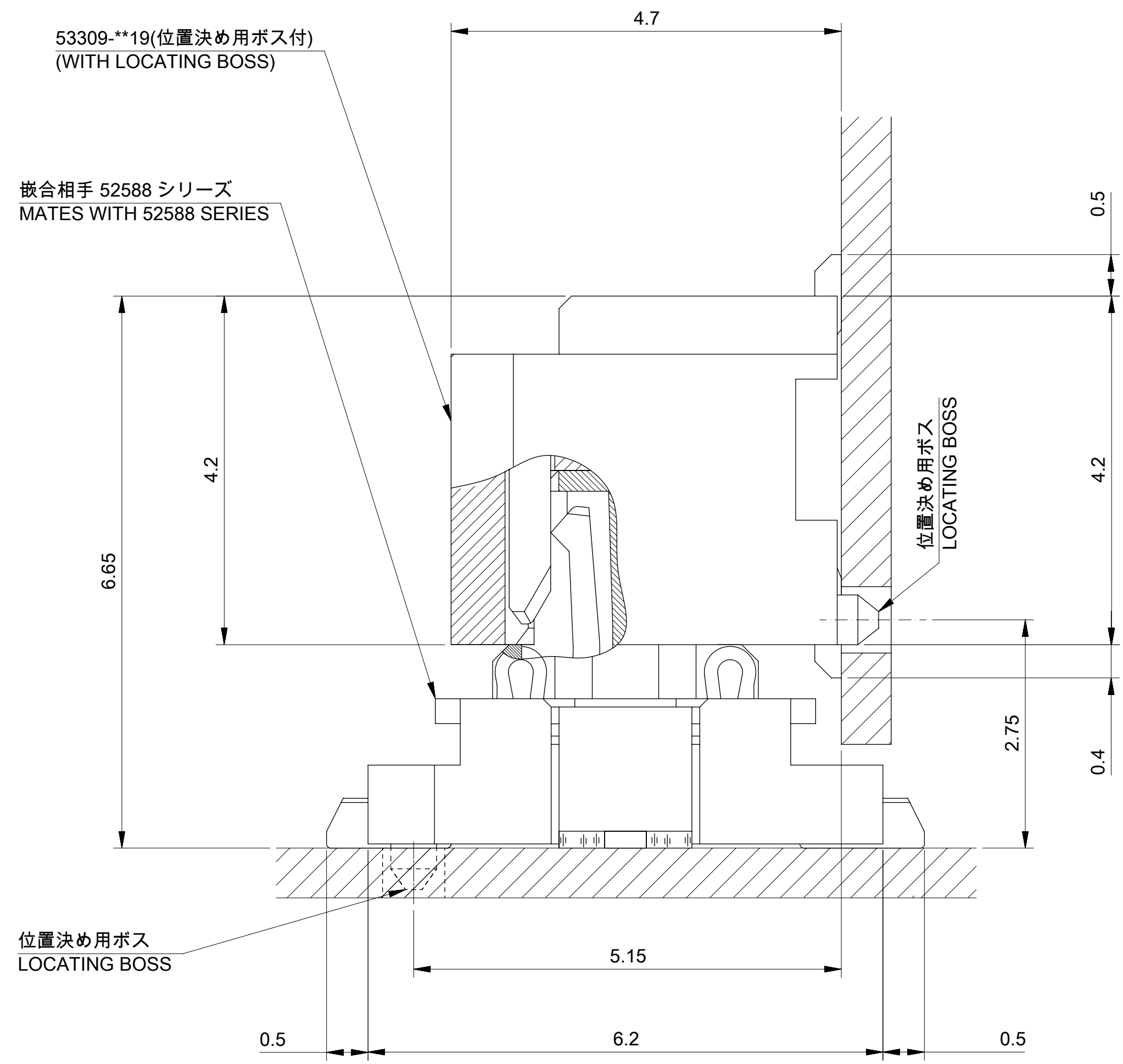
0.4	17.0	17.8	16.9	15.2	53309-4019	40	
0.8	16.2	17.0	16.1	14.4	53309-3819	38	
0.4	15.4	16.2	15.3	13.6	53309-3619	36	
0.8	14.6	15.4	14.5	12.8	53309-3419	34	
0.4	13.8	14.6	13.7	12.0	53309-3219	32	
0.8	13.0	13.8	12.9	11.2	53309-3019	30	
0.4	12.2	13.0	12.1	10.4	53309-2819	28	
0.8	11.4	12.2	11.3	9.6	53309-2619	26	
0.4	10.6	11.4	10.5	8.8	53309-2419	24	
0.8	9.8	10.6	9.7	8.0	53309-2219	22	
0.4	9.0	9.8	8.9	7.2	53309-2019	20	
0.8	8.2	9.0	8.1	6.4	53309-1819	18	
0.4	7.4	8.2	7.3	5.6	53309-1619	16	
0.8	6.6	7.4	6.5	4.8	53309-1419	14	
53309-**19	0.4	5.8	6.6	5.7	4.0	53309-1219	12
MODEL NO.	E	D	C	B	A	MATERIAL NO.	極数CKT.

THIS DRAWING CONTAINS INFORMATION THAT IS PROPRIETARY TO MOLEX ELECTRONIC TECHNOLOGIES, LLC AND SHOULD NOT BE USED WITHOUT WRITTEN PERMISSION

EC NO: 609270	DRWN BY: RMIYAMOTO	CHK'D BY: KSASAKI	APPR: TKUSUHARA01	DATE: 2018/12/18
GENERAL TOLERANCES (UNLESS SPECIFIED)		DIMENSION UNITS: mm	SCALE: 10:1	
ANGULAR TOL		DRWN BY: YSATO06	DATE: 2017/03/23	
4 PLACES	±	CHK'D BY: KTANAKA03	DATE: 2017/03/27	
3 PLACES	±	APPR BY: TKUSUHARA01	DATE: 2017/03/27	
2 PLACES	±	DRAWING SIZE: A2	THIRD ANGLE PROJECTION	
1 PLACE	±	DRAFT WHERE APPLICABLE MUST REMAIN WITHIN DIMENSIONS		
0 PLACES	±	molex®		
0.8 BB CONN. WITH BOSS PLUG ASSY				
PRODUCT CUSTOMER DRAWING				
SERIES: 53309	MATERIAL NUMBER: SEE CHART	CUSTOMER: GENERAL		
DOCUMENT NUMBER: 533091000	DOC TYPE: PSD	DOC PART: 001	SHEET NUMBER: 1 OF 2	



嵌合状態図(参考)
MATED DRAWING (REF.)



嵌合状態図(参考)
MATED DRAWING (REF.)

THIS DRAWING CONTAINS INFORMATION THAT IS PROPRIETARY TO MOLEX ELECTRONIC TECHNOLOGIES, LLC AND SHOULD NOT BE USED WITHOUT WRITTEN PERMISSION											
EC NO: 609270 DRWN: RMIYAMOTO CHKD: KSASAKI REV: APPR: TKUSUHARA01	2018/12/14	2018/12/18	2018/12/18	GENERAL TOLERANCES (UNLESS SPECIFIED)	DIMENSION UNITS	SCALE					
					mm	1:1					
				ANGULAR TOL ±	DRWN BY	DATE	0.8 BB CONN. WITH BOSS PLUG ASSY PRODUCT CUSTOMER DRAWING SERIES: 53309 MATERIAL NUMBER: SEE CHART CUSTOMER: GENERAL DOCUMENT NUMBER: 533091000 DOC TYPE: PSD DOC PART: 001 SHEET NUMBER: 2 OF 2				
	4 PLACES	±	YSATO06	2017/03/23							
	3 PLACES	±	CHK'D BY	DATE							
	2 PLACES	±	KTANAKA03	2017/03/27							
1 PLACE	±	APPR BY	DATE								
0 PLACES	±	TKUSUHARA01	2017/03/27								
DRAFT WHERE APPLICABLE MUST REMAIN WITHIN DIMENSIONS				DRAWING SIZE	THIRD ANGLE PROJECTION						
B				A2							