

F

E

D

C

B

A

F

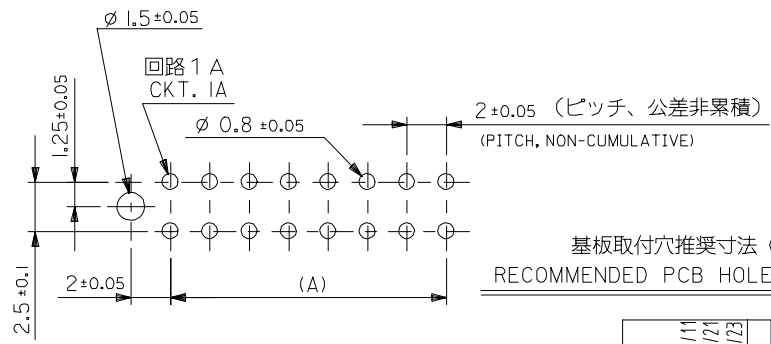
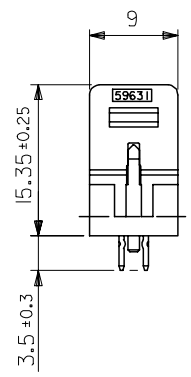
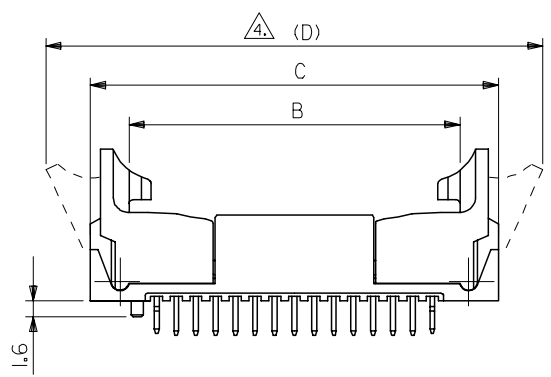
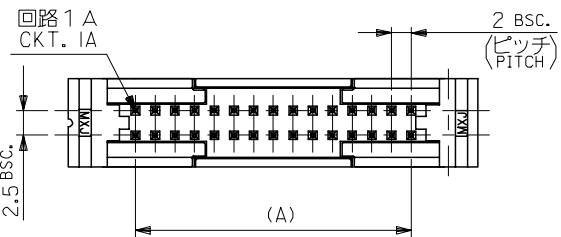
E

D

C

B

A



基板取付穴推奨寸法 (参考)
RECOMMENDED PCB HOLE DIM.(REF.)

注記
NOTES

- 材料 :
MATERIALS:
ウエハ : ガラス入り 66ナイロン
UL94V-0 色: グレー
WAFER : GLASS FILLED 66 NYLON
UL94V-0, COLOR : GRAY
ピン : 黄銅、スズメッキ
PIN : BRASS, PRE-TINNED
- 適合メスコネクター : 51089-***5, 52478-***15,
MATING CONNECTORS :
- 推奨基板厚 :
RECOMMENDED PCB THICKNESS : t
- イジェクターが開いている状態。
EJECTORS IN OPEN POSITION
- メッキ仕様
TERMINAL PLATING
表面メッキ : スズメッキ 14μm MIN.
SURFACE PLATE : TIN 14μm MIN.
下地メッキ : ニッケルメッキ 0.54μm MIN.
UNDER PLATE : NICKEL 0.54μm MIN.

無鉛
LEAD FREE

80.4	71.4	63.6	58	53314-6065	60
70.4	61.4	53.6	48	-5065	50
60.4	51.4	43.6	38	-4065	40
54.4	45.4	37.6	32	-3465	34
50.4	41.4	33.6	28	53314-3065	30
(D)	C	B	(A)	MATERIAL NO.	CKT.

REVISED EC NO: J2007-0432 DRWNG: SALT001 2006/08/11 CHKD: THARUYAMA 2006/08/21 APPR: NUKITA 2006/08/23 A	GENERAL TOLERANCES (UNLESS SPECIFIED)		DIMENSION STYLE MM ONLY		SCALE 2:1	DESIGN UNITS METRIC	THIRD ANGLE PROJECTION
	10 UNDER	± 0.2	DRAWN BY A. IDA		DATE 2003/05/07		
	10 OVER 30 UNDER	± 0.25	CHECKED BY J. MIYAZAWA		DATE 2003/05/07		
	30 OVER	± 0.3	APPROVED BY Y. ITO		DATE 2003/05/07		
	ANGULAR	± 3 °	MATERIAL NO. SEE CHART		DOCUMENT NO. SD-53314-001		SHEET NO. 1 OF 1
DRAFT WHERE APPLICABLE MUST REMAIN WITHIN DIMENSIONS		THIS DRAWING CONTAINS INFORMATION THAT IS PROPRIETARY TO MOLEX INCORPORATED AND SHOULD NOT BE USED WITHOUT WRITTEN PERMISSION					

MATERIAL
材料
注記参照
SEE NOTES