

DWG. NO. SD-53324-003

F

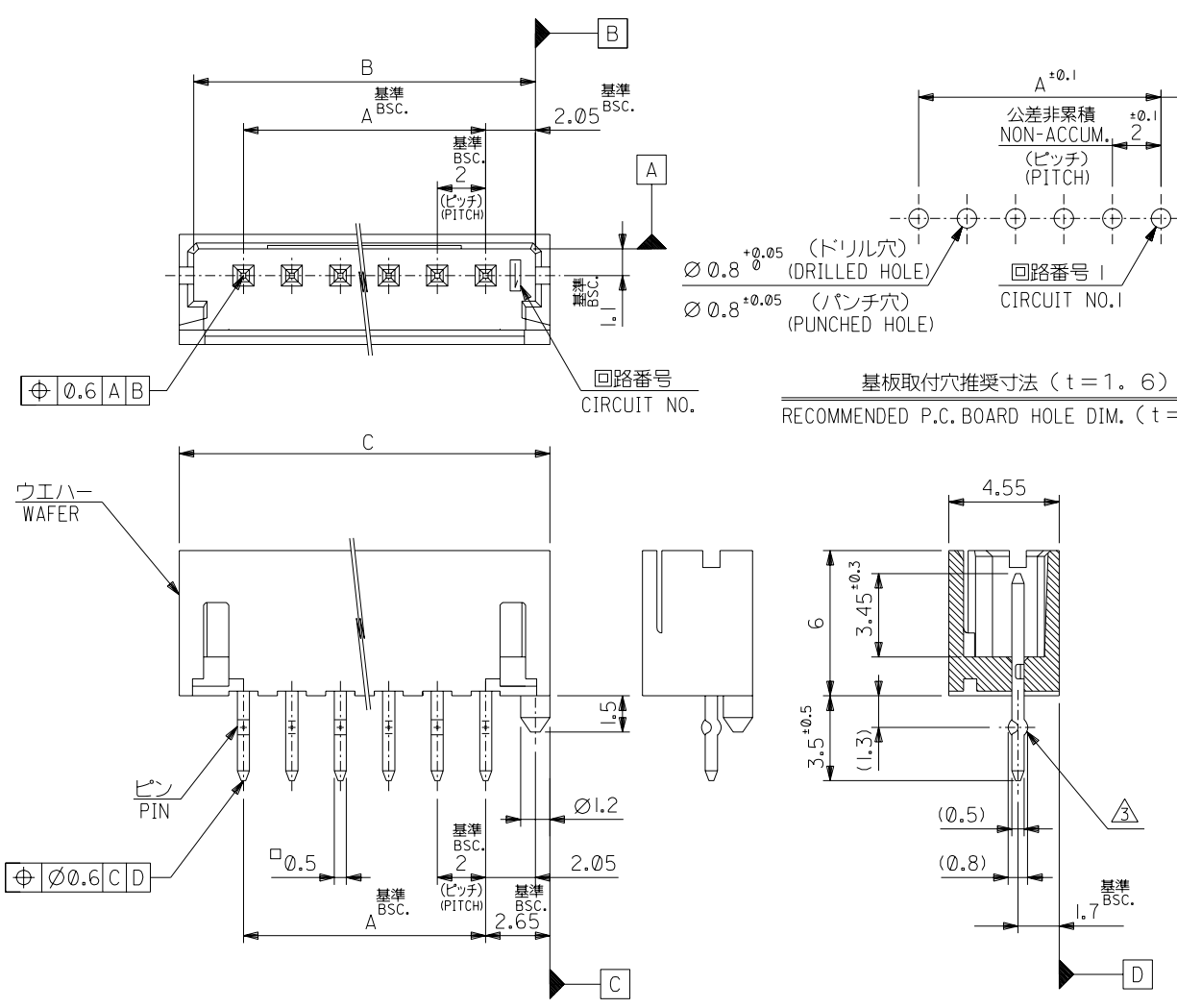
D

V

C

B

DO NOT SCALE DRAWING



注記 NOTES

1. 嵌合相手: 51090-***00, 52484-***1*
MATES WITH
2. 材質 MATERIAL
ウエハー: ガラス入り 66ナイロン
UL94V-0 色: 表参照
WAFER: GLASS FILL 66 NYLON
UL94V-0, COLOR: SEE CHART
ピン: 黄銅, スズメッキ
PIN: BRASS, PRE-TINNED

△ キングは全ピンに交互に付加。2極はキング無し。
SET KINK ALTERNATELY TO ALL CIRCUITS.
CIRCUIT 2 HAS NO KINK.

△ 製品番号 MATERIAL NO.
53324-***6*
極数CIRCUIT SIZE 色COLOR

ナチュラル (白) NATURAL (WHITE)	0
赤 RED	2
黄 YELLOW	3
青 BLUE	4

無鉛
LEAD FREE

15	33.3	32.1	28	53324-156*	53324-***6*
14	31.3	30.1	26	-146*	
13	29.3	28.1	24	-136*	
12	27.3	26.1	22	-126*	
11	25.3	24.1	20	-116*	
10	23.3	22.1	18	-106*	
9	21.3	20.1	16	-096*	
8	19.3	18.1	14	-086*	
7	17.3	16.1	12	-076*	
6	15.3	14.1	10	-066*	
5	13.3	12.1	8	-056*	
4	11.3	10.1	6	-046*	
3	9.3	8.1	4	-036*	
2	7.3	6.1	2	53324-026*	
極数 CKT.	C	B	A	△ MATERIAL NO.	

EC NO. DRWN: CHK: APPR:	EC NO. DRWN: CHK: APPR:	EC NO. DRWN: CHK: APPR:	EC NO. DRWN: CHK: APPR:	RELEASD ECNNO: J20003-2361 DRWN: A.IDA '03/03/13 CHK: J.MIYAZAWA '03/03/13 APPR: YO.IITO '03/03/13	DESCRIPTION MATERIAL 材料 FINISH 仕上げ WIRE RANGE 適用線径範囲 INS. RANGE 被覆外径	注記参照 SEE NOTES	GENERAL TOLERANCES: (UNLESS SPECIFIED) 一般公差	SCALE 5-1	DESIGN UNITS <input checked="" type="checkbox"/> mm <input type="checkbox"/> INCH	THIRD ANGLE PROJECTION	DIMENSIONS: <input type="checkbox"/> mm <input type="checkbox"/> INCH <input type="checkbox"/> mm ONLY	SHT REV	REVISE ON CAD ONLY
							10 UNDER 未満 ±0.2	DRAWN BY & DATE A. Ida '03/03/13	TITLE: 2.0 WIRE TO BOARD CONN. WAFER ASS'Y (ST.)				
							10 OVER 30 UNDER 未満 ±0.25	CHECKED BY & DATE J. Miyazawa '03/03/13	MOLEX MOLEX INCORPORATED				
							30 OVER 以上 ±0.3	APPROVED BY & DATE Y. Ito '03/03/13	CAD FILENAME SD-53324-003.S01	MATERIAL NO. SEE CHART	DRAWING NO. SD-53324-003	SHEET NO. 1 OF 1	
							ANGLE 角度 ±3°	THIS DRAWING CONTAINS INFORMATION THAT IS PROPRIETARY TO MOLEX INCORPORATED AND SHOULD NOT BE USED WITHOUT WRITTEN PERMISSION.				SIZE B	