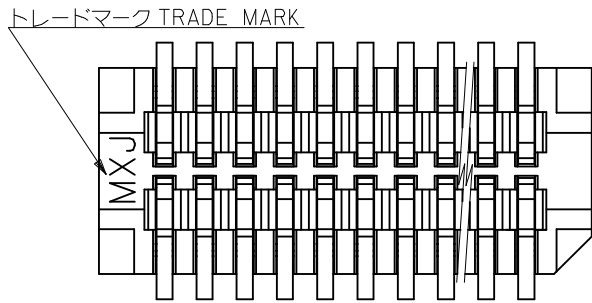


- 注記 NOTES
1. 嵌合相手 : 52465, 52588 シリーズ
MATES WITH : 52465, 52588 SERIES
 2. ウエハーの ϕ から隣接するピンの ϕ 迄の位置を示す。
SHOW POSITION FROM ϕ OF WAFER TO ϕ OF ADJACENT PINS.
 3. ELV 及び RoHS 適合品。
ELV AND ROHS COMPLIANT.
 4. テール平坦度 : 0.1MAX.
COPLANARITY : 0.1MAXIMUM

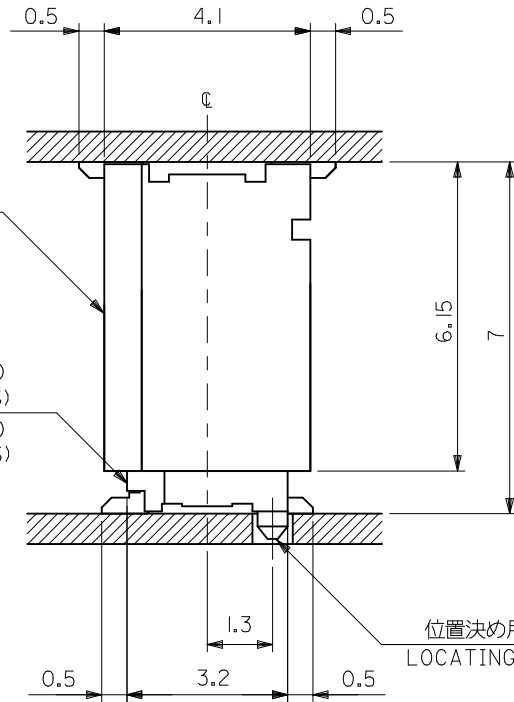
0.4	17.8	16.9	15.2	53353-4071	40
0.4	16.2	15.3	13.6	53353-3671	36
0.8	13.8	12.9	11.2	53353-3071	30
0.4	13.0	12.1	10.4	53353-2871	28
0.8	10.6	9.7	8.0	53353-2271	22
0.4	9.8	8.9	7.2	53353-2071	20
0.8	9.0	8.1	6.4	53353-1871	18
0.4	8.2	7.3	5.6	53353-1671	16
0.8	7.4	6.5	4.8	53353-1471	14
0.4	6.6	5.7	4.0	53353-1271	12
0.8	5.8	4.9	3.2	53353-1071	10
D	C	B	(A)	EMBOSSED PACKAGE	
				極数	
				オーダー番号 ORDER NO.	
				CONNECTOR SERIES No. : 53353-***29	
				CIRCUIT	



REVISED EC NO: J2018-0012 DRAWINGS CHKD: APPR:MSASAO	2017/07/24	2017/07/28	GENERAL TOLERANCES (UNLESS SPECIFIED)		DIMENSION STYLE MM ONLY		SCALE ---	DESIGN UNITS METRIC	THIRD ANGLE PROJECTION
	DESCRIPTION	0.25 UNDER	±	0.25 OVER	0.5 UNDER	±	DRAWN BY Y. WADA	DATE 2004/3/4	TITLE 0.8 B/B CONN. WAFER ASSY ST. SMT(WITHOUT BOSS)
		0.5 OVER	1.0 UNDER	±	0 OVER	10 UNDER	±0.2	CHECKED BY M. SASAO	DATE 2004/3/4
		10 OVER	30 UNDER	±0.25	30 OVER		±0.3	APPROVED BY M. SASAO	DATE 2004/3/4
	ANGULAR	±3	°	DRAFT WHERE APPLICABLE MUST REMAIN WITHIN DIMENSIONS		SIZE A3	THIS DRAWING CONTAINS INFORMATION THAT IS PROPRIETARY TO MOLEX ELECTRONIC TECHNOLOGIES, LLC AND SHOULD NOT BE USED WITHOUT WRITTEN PERMISSION		
				SEE CHART		DOCUMENT NO. SD-53353-003		SHEET NO. 1 OF 2	

53353-**29 (位置決め用ボス無)
(WITHOUT LOCATING BOSS)

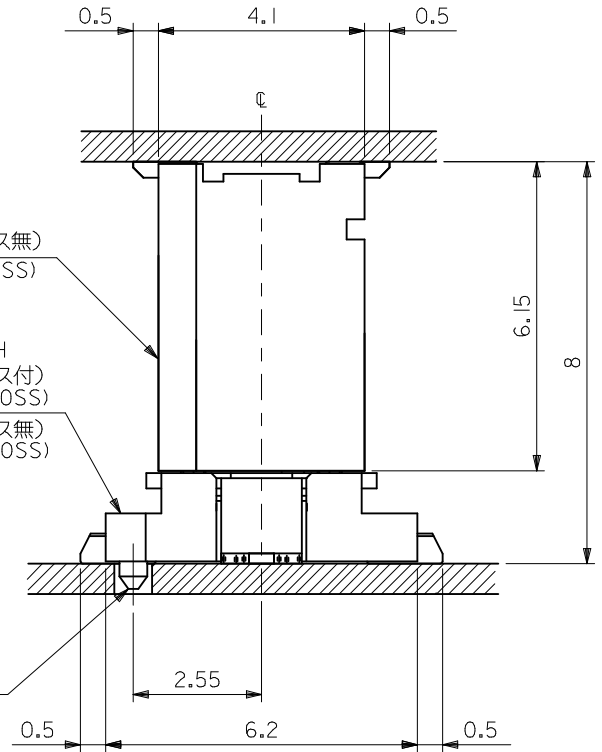
嵌合相手 MATES WITH
52465-**19 (位置決め用ボス付)
(WITH LOCATING BOSS)
52465-**29 (位置決め用ボス無)
(WITHOUT LOCATING BOSS)



53353-**29 (位置決め用ボス無)
(WITHOUT LOCATING BOSS)

嵌合相手 MATES WITH
52588-**** (位置決め用ボス付)
(WITH LOCATING BOSS)
52588-**** (位置決め用ボス無)
(WITHOUT LOCATING BOSS)

位置決め用ボス
LOCATING BOSS



嵌合状態図 (参考)
MATED DRAWING (REF.)

REVISED EC NO: J2018-0012 DRAWN:GES CHKD: APPR:MSASAO 2017/07/24 2017/07/28	GENERAL TOLERANCES (UNLESS SPECIFIED)			DIMENSION STYLE MM ONLY	
	0.25 UNDER	±---		DRAWN BY	DATE
	0.25 OVER	0.5 UNDER	±---	Y.WADA	2004/3/4
	0.5 OVER	1.0 UNDER	±---	CHECKED BY	DATE
	0	10 UNDER	±---	M.SASAO	2004/3/4
	10 OVER	30 UNDER	±---	APPROVED BY	DATE
	30 OVER		±---	M.SASAO	2004/3/4
	ANGULAR	±--- °	MATERIAL NO.		
DRAFT WHERE APPLICABLE MUST REMAIN WITHIN DIMENSIONS			SEE CHART		

CONNECTOR SERIES No. : 53353-**29		
SCALE ---	DESIGN UNITS METRIC	THIRD ANGLE PROJECTION

TITLE
0.8 B/B CONN. WAFER ASSY
ST. SMT(WITHOUT BOSS)

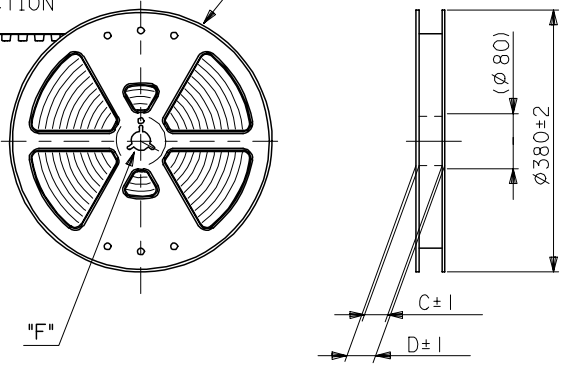
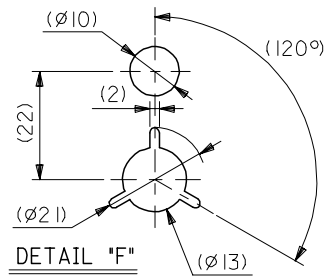
molex

DOCUMENT NO. SD-53353-003	SHEET NO. 2 OF 2
------------------------------	---------------------

THIS DRAWING CONTAINS INFORMATION THAT IS PROPRIETARY TO MOLEX ELECTRONIC TECHNOLOGIES, LLC AND SHOULD NOT BE USED WITHOUT WRITTEN PERMISSION

引き出し方向
PULL OUT DIRECTION

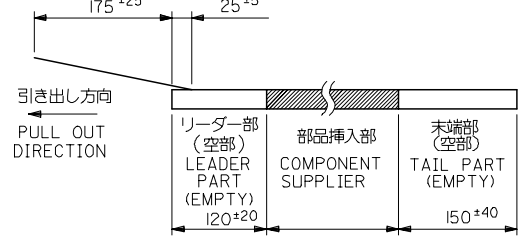
REEL



注記 NOTES

1. 梱包数量：1000個/リール NUMBER OF CONNECTORS:1000PCS/REEL
2. リードテープ長さ LEAD TAPE LENGTH

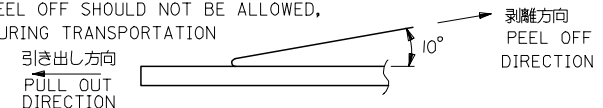
トップテープ TOP TAPE
リーダー部 LEADER PART トップテープ 未接着部 TOP TAPE NON-BONDED PART



引き出し方向
PULL OUT DIRECTION



3. トップテープの剥離強度：(剥離方向は下図参照)
0. 1~1. 3N {10~130gf} 尚、本規格値は、出荷時に適用。
(但し、輸送時に剥離が発生しない事。)
PEELING OFF FORCE OF TOP TAPE
0. 1~1. 3N {10~130gf} (PEELING DIRECTION AS SHOWN IN FOLLOWING FIG.)
THIS REQUIREMENT SHOULD BE APPLIED AT SHIPMENT
PEEL OFF SHOULD NOT BE ALLOWED,
DURING TRANSPORTATION

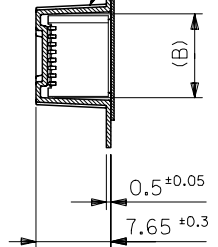


4. 材料 MATERIAL
キャリアテープ：ポリプロピレン (PP) CARRIER TAPE:POLYPROPYLENE
トップテープ：PET, PE, PEF TOP TAPE:PET,PE,PEF
リール：ポリスチレン (PS) REEL:POLYSTYRENE(PS)
<リサイクル材を含む> <RECYCLE MATERIAL CONTAIND>

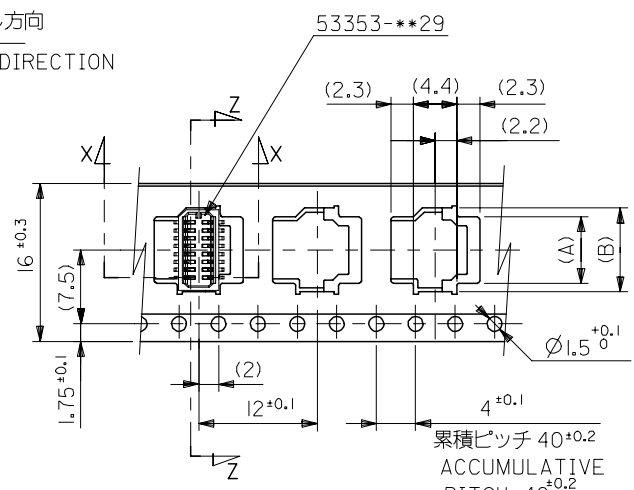
5. 本製品は53353-**-91の鉛フリー品である。
THIS PRODUCT IS LEAD FREE OF 53353-**-91.

引き出し方向
PULL OUT DIRECTION

トップテープ
TOP TAPE

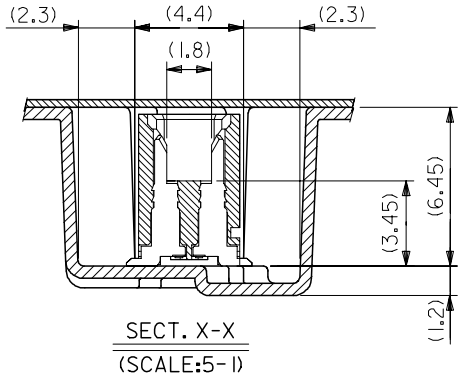


SECT. Z-Z



累積ピッチ 40±0.2
ACCUMULATIVE PITCH 40±0.2

16mm幅キャリアテープ
16mm WIDTH CARRIER TAPE

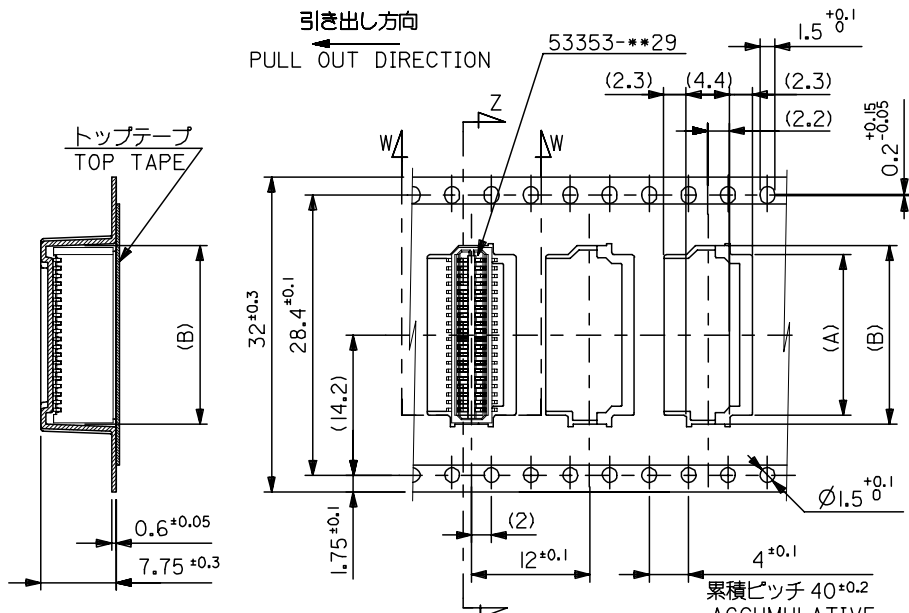
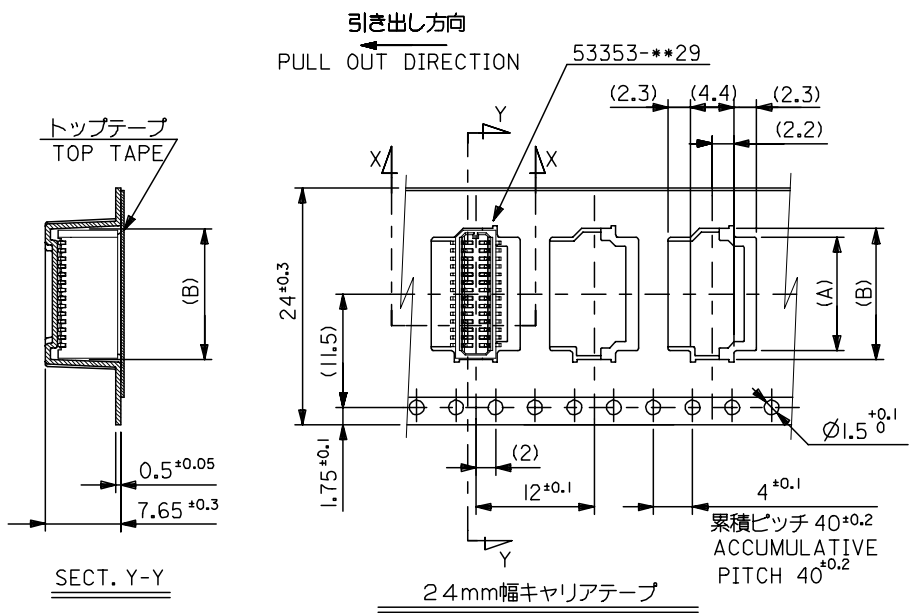


SECT. X-X
(SCALE:5-1)

16	21.4	17.4	8.5	6.7	53353-1671	16
			7.7	5.9	53353-1471	14
			6.9	5.1	53353-1271	12
			6.1	4.3	53353-1071	10
キャリアテープ幅 CARRIER TAPE WIDTH	D	C	(B)	(A)	MATERIAL NO.	極数 CIRCUIT

MODEL NO. 53353-**-91

REVISED EC NO: J2005-2159 DRAWN: KENSUJUKI 2005/01/26 CHKD: NUKITA 2005/01/26 APPR: NUKITA 2005/02/02 REV: A	GENERAL TOLERANCES (UNLESS SPECIFIED)		DIMENSION STYLE MM ONLY		SCALE ---	DESIGN UNITS METRIC	THIRD ANGLE PROJECTION
	10 UNDER	±0.2	DRAWN BY YWADA	DATE 2004/03/04	TITLE 0.8 BTB CONN WAFER ASSY ST SMT WITHOUT BOSS EMBTP PKG -LEAD FREE-		
	10 OVER 30 UNDER	±0.25	CHECKED BY MSASAO	DATE 2004/03/04	APPROVED BY MSASAO 2004/03/04		
	30 OVER	±0.3	APPROVED BY MSASAO 2004/03/04		MATERIAL NO. SEE CHART		
	ANGULAR	±3 °	MATERIAL NO. SEE CHART		DOCUMENT NO. SD-53353-004	SHEET NO. 1 OF 2	
DRAFT WHERE APPLICABLE MUST REMAIN WITHIN DIMENSIONS		THIS DRAWING CONTAINS INFORMATION THAT IS PROPRIETARY TO MOLEX INCORPORATED AND SHOULD NOT BE USED WITHOUT WRITTEN PERMISSION					



32	37.4	33.4	18.1	16.3	53353-4071	40
			16.5	14.7	53353-3671	36
24	29.4	25.4	14.1	12.3	53353-3071	30
			13.3	11.5	53353-2871	28
			10.9	9.1	53353-2271	22
			10.1	8.3	53353-2071	20
			9.3	7.5	53353-1871	18
キャリアテープ幅 CARRIER TAPE WIDTH	D	C	(B)	(A)	MATERIAL NO.	極数 CIRCUIT

REVISED EC NO: J2005-2159 DRAWN: KENSUJUKI CHKD: NUKITA APPR: NUKITA 2005/01/26 2005/01/26 2005/02/02	GENERAL TOLERANCES (UNLESS SPECIFIED)		DIMENSION STYLE	SCALE	DESIGN UNITS	THIRD ANGLE PROJECTION
			MM ONLY	---	METRIC	
	10 UNDER	±0.2	DRAWN BY	DATE	TITLE	
	10 OVER 30 UNDER	±0.25	YWADA	2004/03/04	0.8 BTB CONN WAFER ASSY ST SMT WITHOUT BOSS EMBTP PKG -LEAD FREE-	
30 OVER	±0.3	CHECKED BY	DATE	MOLEX INCORPORATED		
ANGULAR	±3°	MSASAO	2004/03/04	MATERIAL NO.		
DRAFT WHERE APPLICABLE MUST REMAIN WITHIN DIMENSIONS		APPROVED BY	DATE	DOCUMENT NO.	SHEET NO.	
		MSASAO	2004/03/04	SD-53353-004	2 OF 2	
		SEE CHART		THIS DRAWING CONTAINS INFORMATION THAT IS PROPRIETARY TO MOLEX INCORPORATED AND SHOULD NOT BE USED WITHOUT WRITTEN PERMISSION		