

**PLEASE CHECK WWW.MOLEX.COM FOR LATEST PART INFORMATION**

**Part Number:** [53358-1140](#)  
**Status:** **Active**  
**Description:** 2.00mm Pitch Mi II™ Wire-to-Wire Adapter, 11 Circuits, Lead-Free

**Documents:**

[3D Model](#) [Product Specification PS-53358-001 \(PDF\)](#)  
[Drawing \(PDF\)](#) [RoHS Certificate of Compliance \(PDF\)](#)  
[Product Specification PS-51090-003 \(PDF\)](#)

**Agency Certification**

CSA LR19980  
 UL E29179

**General**

Product Family Accessories  
 Series [53358](#)  
 Comments For Panel Mounting  
 Component Type Adapter  
 Product Name Mi II™

**Physical**

Circuits (Loaded) 11  
 Flammability 94V-0  
 Gender N/A  
 Lock to Mating Part Yes  
 Material - Metal Brass  
 Material - Plating Mating Tin  
 Material - Plating Termination Tin  
 Number of Rows 1  
 Packaging Type Bag  
 Plating min - Mating 1.016µm  
 Plating min - Termination 1.016µm  
 Polarized to Mating Part Yes  
 Temperature Range - Operating -40°C to +105°C

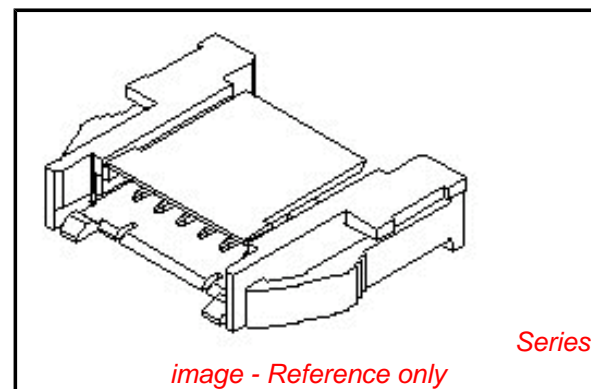
**Electrical**

Current - Maximum per Contact 2A

**Material Info**

**Reference - Drawing Numbers**

Product Specification PS-51090-003, PS-53358-001, RPS-53358-001  
 Sales Drawing SD-53358-001



**EU RoHS**

**ELV and RoHS  
 Compliant**  
**REACH SVHC  
 Contains SVHC: No**  
**Low-Halogen Status  
 Not Low-Halogen**

**China RoHS**



**Need more information on product  
 environmental compliance?**

Email [productcompliance@molex.com](mailto:productcompliance@molex.com)  
 For a multiple part number RoHS Certificate of  
 Compliance, [click here](#)

Please visit the [Contact Us](#) section for any  
 non-product compliance questions.

**Search Parts in this Series**

[53358Series](#)

**Use With**

[51090 Crimp Housing](#), [52484 IDT Housing](#)