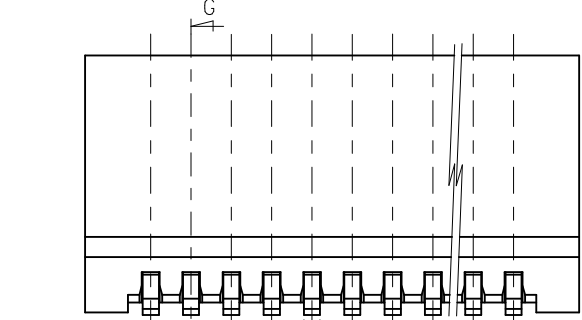
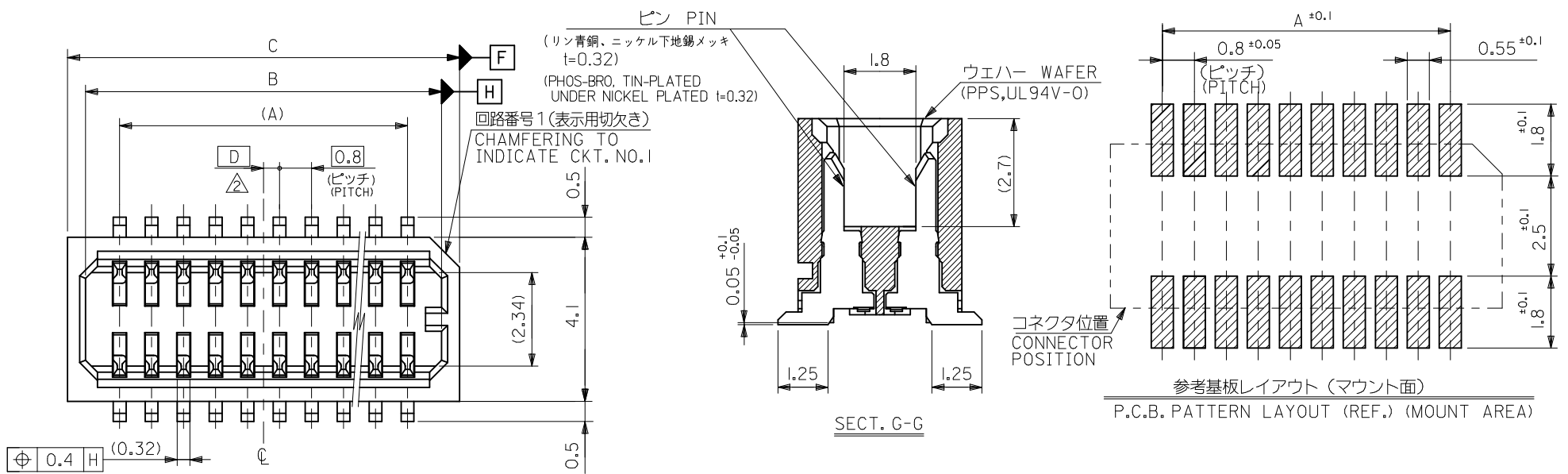
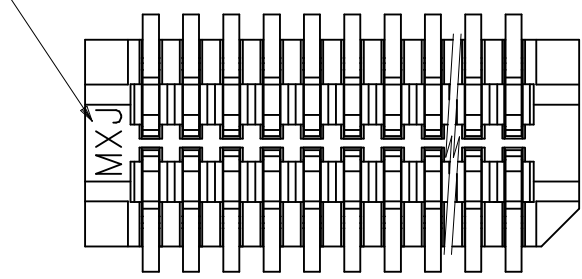


10 9 8 7 6 5 4 3 2 1



トレードマーク TRADE MARK



注記 NOTES

1. 嵌合相手 : 52465,52588 シリーズ
 MATES WITH : 52465,52588 SERIES
2. ウェハーの ϕ から隣接するピンの ϕ 迄の位置を示す。
 SHOW POSITION FROM ϕ OF WAFER TO ϕ OF ADJACENT PINS.
3. 本製品は 53364-**-27 の鉛フリー品である。
 THIS PRODUCT IS LEAD FREE OF 53364-**-27.

0.4	16.2	15.3	13.6	53364-3629	36
0.8	13.8	12.9	11.2	53364-3029	30
0.4	9.8	8.9	7.2	53364-2029	20
0.8	9.0	8.1	6.4	53364-1829	18
D	C	B	A	MATERIAL NO.	極数 CKT.

REVISED EC NO: J2016-1237 DRWN: MISHIKAWA CHKD: Y0110 APPR: Y0110	DESCRIPTION 2016/06/07 2016/06/07 2016/06/16	GENERAL TOLERANCES (UNLESS SPECIFIED)		DIMENSION STYLE MM ONLY		SCALE 10:1		DESIGN UNITS METRIC		THIRD ANGLE PROJECTION	
		0.25 UNDER	UNDER	±0.2	DRAWN BY M. NABEI	DATE '04/03/09	TITLE 0.8 BOARD TO BOARD CONN. WAFFER ASSY ST.SMT -LEAD FREE-				
		0.25 OVER	0.5 UNDER	±0.2	CHECKED BY K. TOJO	DATE '04/03/09					
		0.5 OVER	1.0 UNDER	±0.2	APPROVED BY M. SASAO	DATE '04/03/09					
1.0 OVER	10 UNDER	±---	MATERIAL NO.		DOCUMENT NO. SD-53364-003		SHEET NO. 1 OF 2		THIS DRAWING CONTAINS INFORMATION THAT IS PROPRIETARY TO MOLEX ELECTRONIC TECHNOLOGIES, LLC AND SHOULD NOT BE USED WITHOUT WRITTEN PERMISSION		
10 OVER	30 UNDER	±---	ANGULAR ±1 °		SIZE A3						
DRAFT WHERE APPLICABLE MUST REMAIN WITHIN DIMENSIONS											

9 8 7 6 5 4 3 2 1

10 9 8 7 6 5 4 3 2 1

F

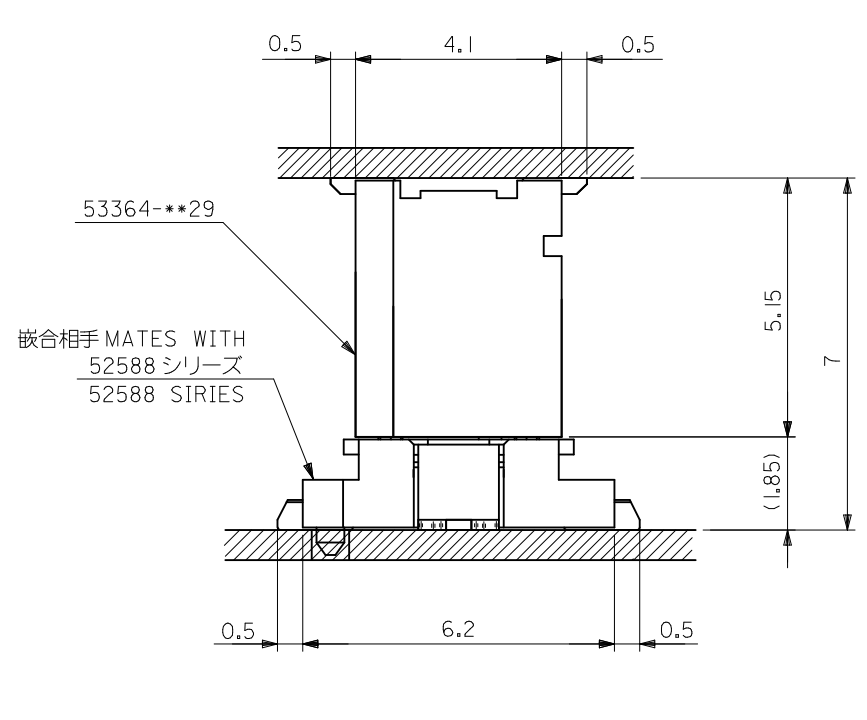
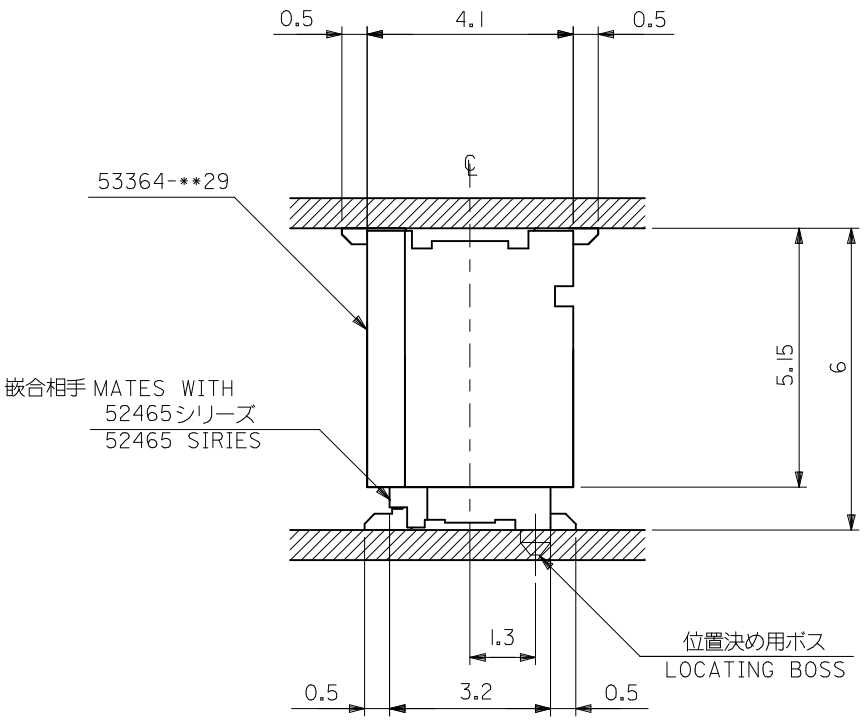
E

D

C

B

A



嵌合状態図 (参考)
MATED DRAWING (REF.)

REVISED EC NO: J2016-1237 DRW: M. NINOMIYA CHKD: Y. ITO APPR: Y. ITO	GENERAL TOLERANCES (UNLESS SPECIFIED)			DIMENSION STYLE MM ONLY		SCALE	DESIGN UNITS METRIC	THIRD ANGLE PROJECTION
	0.25 UNDER	UNDER	±---	DRAWN BY	DATE	TITLE		
	0.25 OVER	0.5 UNDER	±---	M. NINOMIYA	'03/12/11	0.8 BOARD TO BOARD CONN. WAFER ASSY ST. SMT -LEAD FREE-		
	0.5 OVER	1.0 UNDER	±---	CHECKED BY	DATE	molex DOCUMENT NO. SD-53364-003 SHEET NO. 2 OF 2		
	1.0 OVER	10 UNDER	±---	K. TOJO	'03/12/11			
	10 OVER	30 UNDER	±---	APPROVED BY	DATE	SEE SHEET 1		
30 OVER		±---	M. SASAO	'03/12/11	THIS DRAWING CONTAINS INFORMATION THAT IS PROPRIETARY TO MOLEX ELECTRONIC TECHNOLOGIES, LLC AND SHOULD NOT BE USED WITHOUT WRITTEN PERMISSION			
ANGULAR		±--- °	DRAFT WHERE APPLICABLE MUST REMAIN WITHIN DIMENSIONS		SIZE A3			

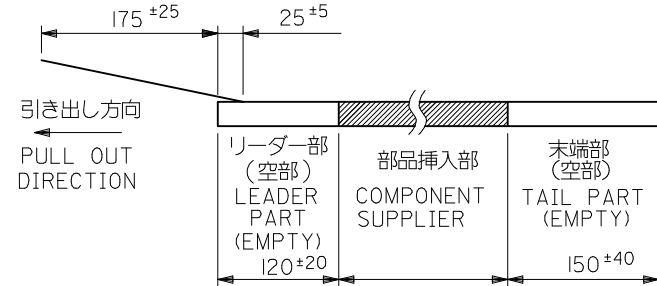
9 8 7 6 5 4 3 2 1

注記 NOTES

1. 梱包数量：1000個/リール NUMBER OF CONNECTORS:1000PCS/REEL

2. リードテープ長さ LEAD TAPE LENGTH

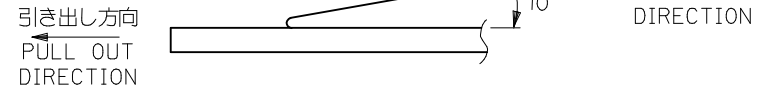
トップテープ TOP TAPE
リーダー部 LEADER PART トップテープ TOP TAPE
未接着部 NON-BONDED PART



3. トップテープの剥離強度：(剥離方向は下図参照)

0.1N ~ 1.3N(10gf ~ 130gf) 尚、本規格値は、出荷時に適用。
(但し、輸送時に剥離が発生しない事。)

PEELING OFF FORCE OF TOP TAPE
0.1N ~ 1.3N(10gf ~ 130gf) (PEELING DIRECTION AS SHOWN IN FOLLOWING FIG.)
THIS REQUIREMENT SHOULD BE APPLIED AT SHIPMENT
PEEL OFF SHOULD NOT BE ALLOWED,
DURING TRANSPORTATION



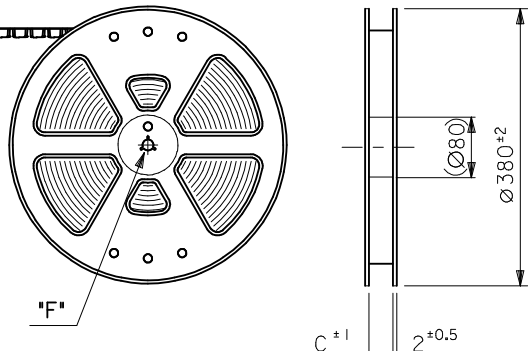
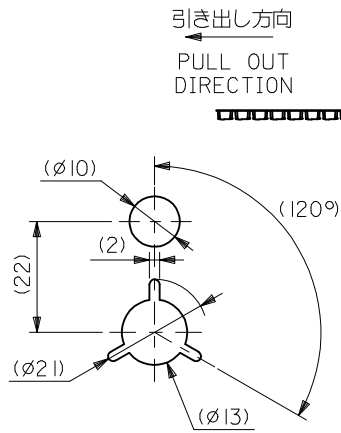
4. 材料

MATERIAL

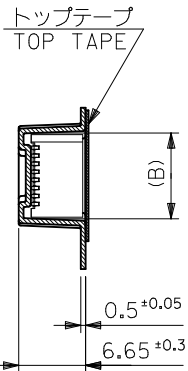
キャリアテープ：ポリプロピレン (PP) CARRIER TAPE:POLYPROPYLENE
トップテープ：PET, PE, PEF TOP TAPE:PET,PE,PEF
リール：ポリスチレン (PS) REEL:POLYSTYREN(PS)
<リサイクル材を含む> <RECYCLE MATERIAL CONTAINED>

5. 本製品は 53364-**91 の鉛フリー品である。

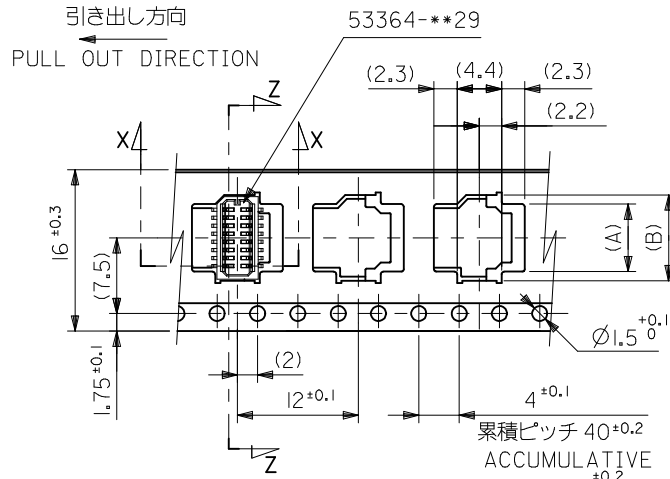
THIS PRODUCT IS LEAD FREE OF 53364-**91.



DETAIL "F"

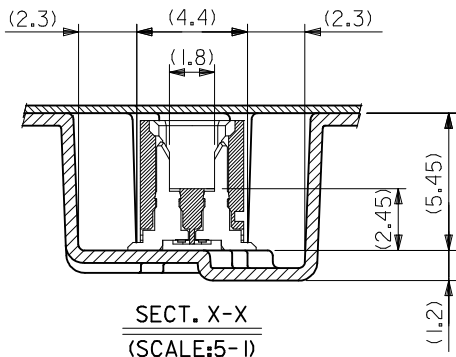


SECT. Z-Z



累積ピッチ 40 ±0.2
ACCUMULATIVE PITCH 40 ±0.2

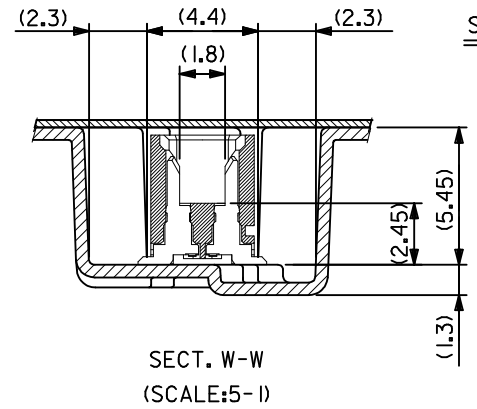
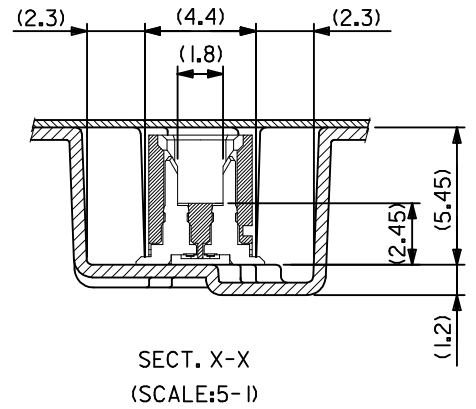
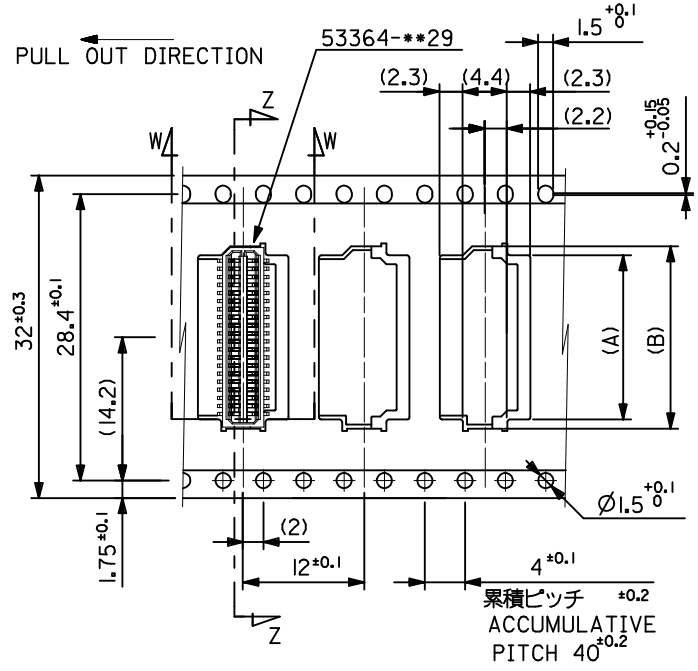
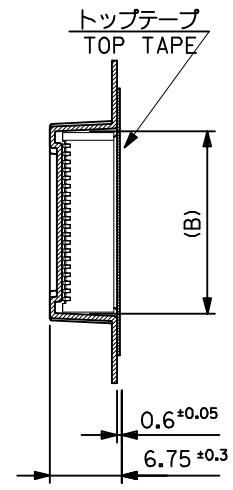
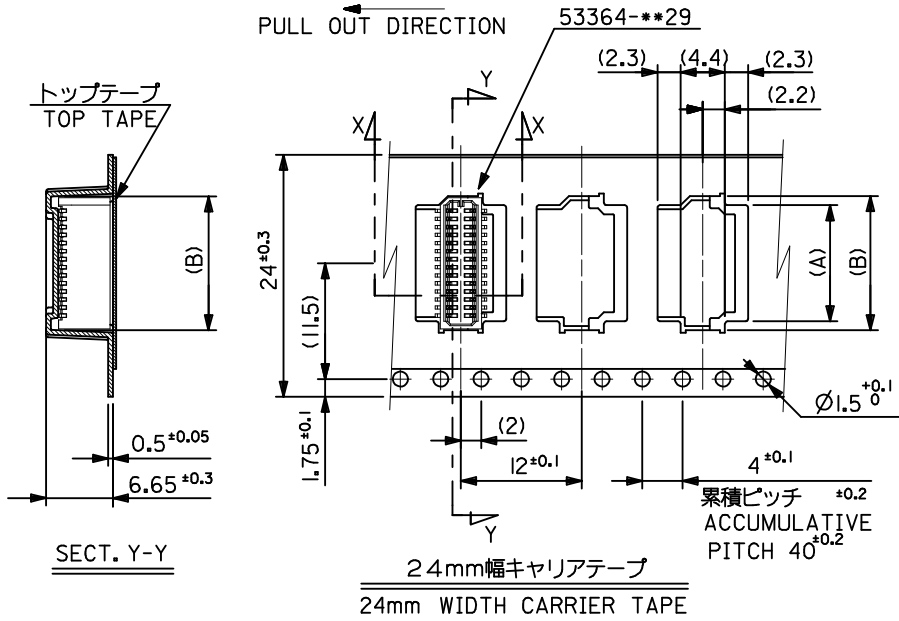
16mm幅キャリアテープ
16mm WIDTH CARRIER TAPE



SECT. X-X
(SCALE:5-1)

16	17.5	9.3	7.5	53364-1871	18
キャリアテープ幅 CARRIER TAPE WIDTH	C	(B)	(A)	MATERIAL. NO.	極数 CIRCUIT

REVISED EC NO: J2016-0873 DRWN:HON001 CHKD:RTAKEUCHI APPR:KMORIKAWA	DESCRIPTION 2016/02/12 2016/02/25 2016/02/29	GENERAL TOLERANCES (UNLESS SPECIFIED)		DIMENSION STYLE MM ONLY		SCALE ---	DESIGN UNITS METRIC	THIRD ANGLE PROJECTION	
		0.25 UNDER	UNDER	±0.03	DRAWN BY MNINOMIYA	DATE 2003/12/11	TITLE 0.8 BTB CONN WAFER ASSY ST SMT WITHOUT BOSS -LEAD FREE-		
		0.25 OVER	0.5 UNDER	±0.05	CHECKED BY KTOJO	DATE 2003/12/11	molex		
		0.5 OVER	1.0 UNDER	±0.1	APPROVED BY	DATE			
1.0 OVER	10 UNDER	±0.20	MATERIAL NO. SEE CHART		DOCUMENT NO. SD-53364-**71		SHEET NO. 1 OF 2		
10 OVER	30 UNDER	±0.25	SIZE A3		THIS DRAWING CONTAINS INFORMATION THAT IS PROPRIETARY TO MOLEX ELECTRONIC TECHNOLOGIES, LLC AND SHOULD NOT BE USED WITHOUT WRITTEN PERMISSION				
30 OVER		±0.30	DRAFT WHERE APPLICABLE MUST REMAIN WITHIN DIMENSIONS						



32	33.5	18.9	17.1	53364-4271	42
24	25.5	16.5	14.7	53364-3671	36
		14.1	12.3	53364-3071	30
		10.1	8.3	53364-2071	20
キャリアテープ幅 CARRIER TAPE WIDTH	C	(B)	(A)	MATERIAL NO.	極数 CIRCUIT

REVISED EC NO.: J2016-0873 DRWN: HON001 CHKD: RTAKEUCHI APPR: KMORIKAWA 2016/02/12 2016/02/25 2016/02/29	GENERAL TOLERANCES (UNLESS SPECIFIED)			DIMENSION STYLE MM ONLY		SCALE ---	DESIGN UNITS METRIC	THIRD ANGLE PROJECTION
	0.25 UNDER	UNDER	±0.03	DRAWN BY MNINOMIYA	DATE 2003/12/11	TITLE 0.8 BTB CONN WAFER ASSY ST SMT WITHOUT BOSS -LEAD FREE-		
	0.25 OVER	0.5 UNDER	±0.05	CHECKED BY KTOJO	DATE 2003/12/11	molex DOCUMENT NO. SD-53364-***71 SHEET NO. 2 OF 2		
	0.5 OVER	1.0 UNDER	±0.1	APPROVED BY	DATE			
	1.0 OVER	10 UNDER	±0.20	MATERIAL NO. SEE CHART		THIS DRAWING CONTAINS INFORMATION THAT IS PROPRIETARY TO MOLEX ELECTRONIC TECHNOLOGIES, LLC AND SHOULD NOT BE USED WITHOUT WRITTEN PERMISSION		
10 OVER	30 UNDER	±0.25	SIZE A3					
30 OVER		±0.30	DRAFT WHERE APPLICABLE MUST REMAIN WITHIN DIMENSIONS					