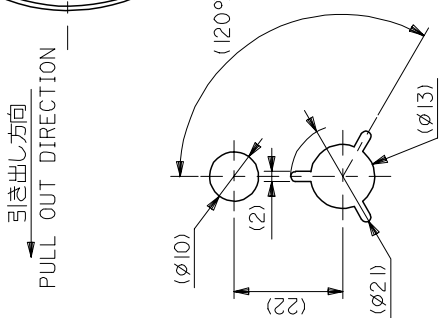
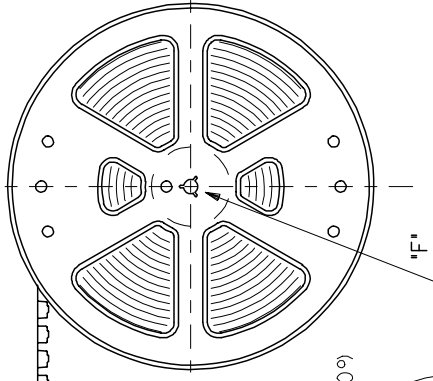
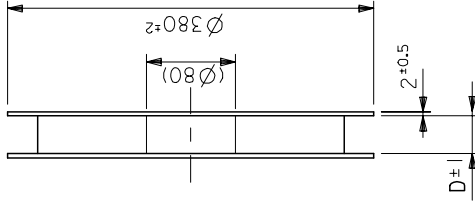


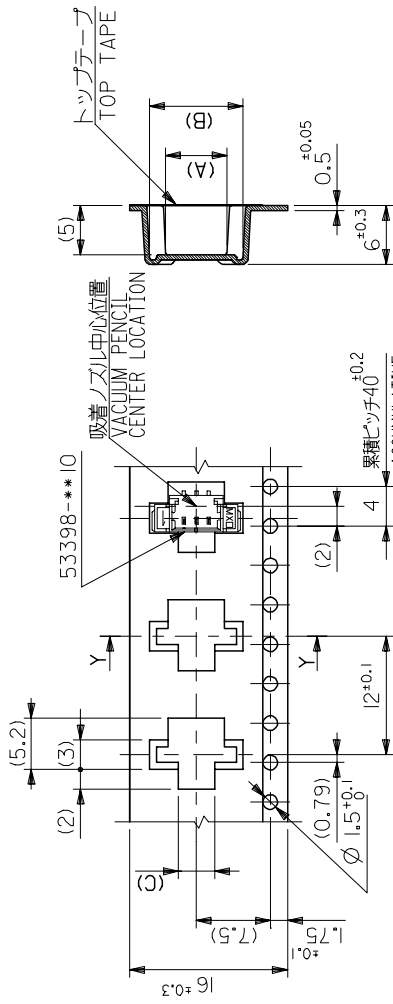


NOTES

- 梱包数量: 1,000個/リール  
NUMBER OF CONNECTOR: 1000PCS/REEL
- リードテープ長さ  
LEAD TAPE LENGTH

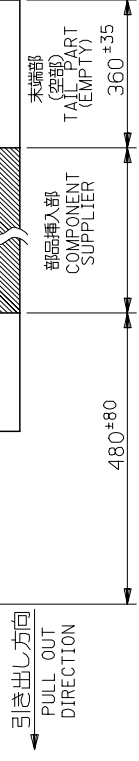


DETAIL "F"



引き出し方向  
PULL OUT DIRECTION

16幅テープ  
(TAPE WIDTH: 16)



3. トップテープの剥離強度: 0.6±0.35N(60±35gf) (剥離方向は下図参照)  
PEELING OFF FORCE OF TOP TAPE: 0.6±0.35N(60±35gf)  
(PEELING DIRECTION IS SHOWN IN FOLLOWING FIG.)

<剥離速度: 300mm/min (参考) >  
PEELING SPEED: 300mm/min (REFERENCE)

引き出し方向  
PULL OUT DIRECTION

10°  
剥離方向  
PEEL OFF DIRECTION

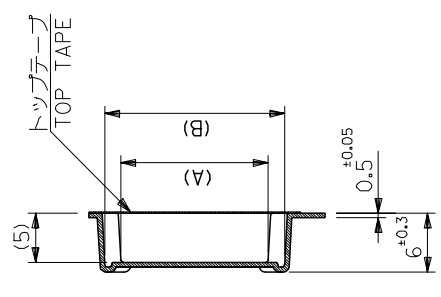
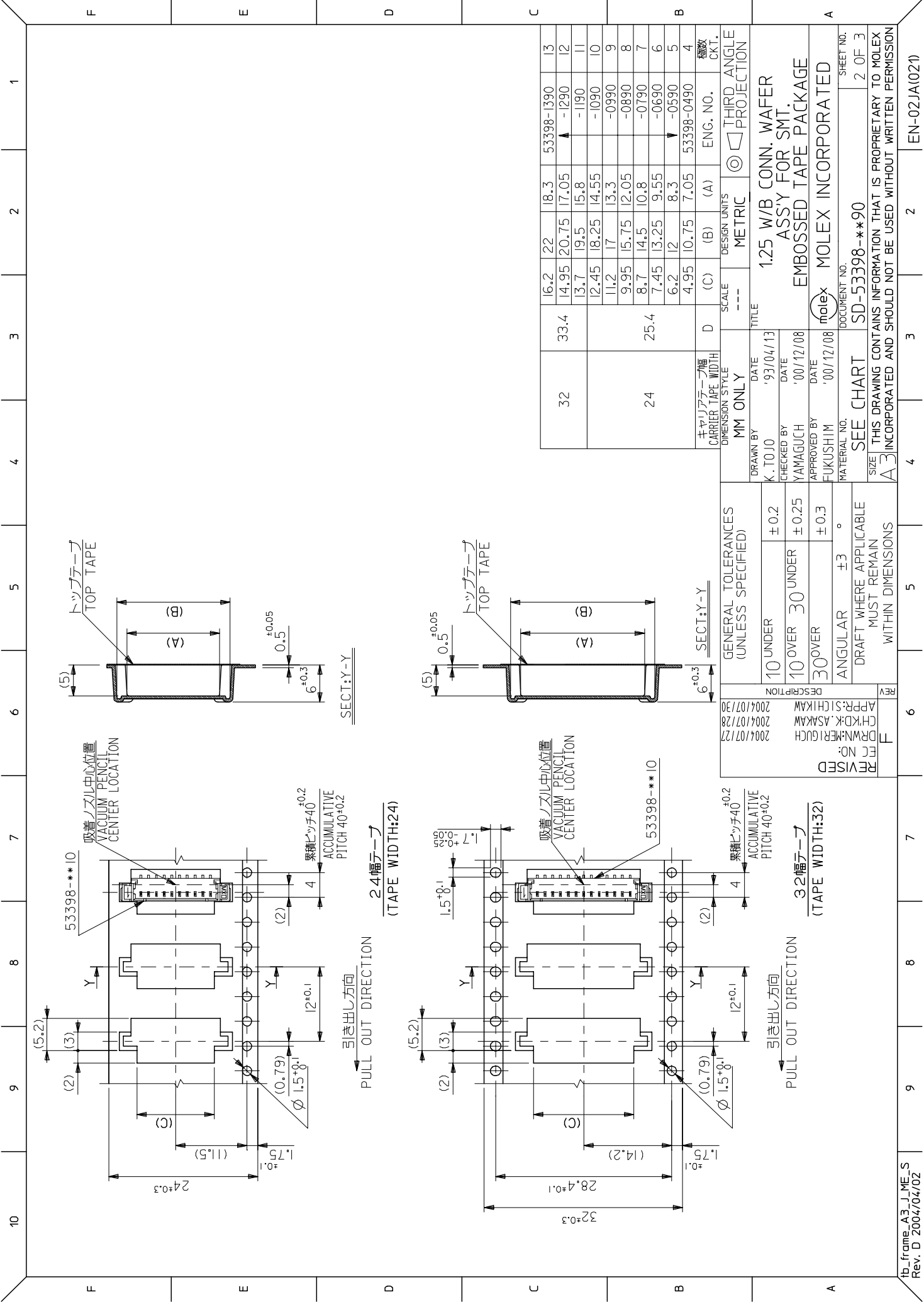
4. 53398-\*\*\*10 の詳細寸法については図面SD-53398-\*\*\*10 を参照下さい。  
RE DETAILED DIMENSIONS, SEE SD-53398-\*\*\*10.

5. 材料 (MATERIAL)  
キャリアテープ (CARRIER TAPE): ポリプロピレン (POLYPROPYLENE)  
トップテープ (TOP TAPE): PET, PE, PEF  
リール (REEL): ポリスチレン (PS) <リサイクル材含む>  
POLYSTYRENE (PS) <RECYCLE MATERIAL CONTAINED>

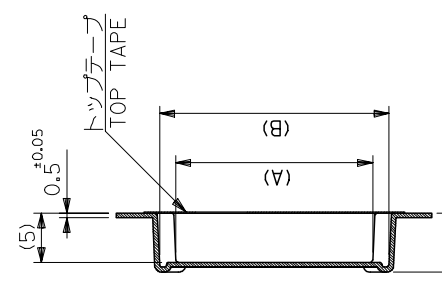
16	17.4	3.7	9.5	5.8	53398-0390	3
キャリアテープ幅 CARRIER TAPE WIDTH	D	(C)	(B)	(A)	ENG. NO.	種別 CKT.

MM ONLY	SCALE	DESIGN UNITS	METRIC	THIRD ANGLE PROJECTION
DRAWN BY K. TOJO	DATE '93/04/13	TITLE 1.25 W/B CONN. WAFER ASS'Y FOR SMT.		
CHECKED BY YAMAGUCHI	DATE '00/12/08	EMBOSSED TAPE PACKAGE		
APPROVED BY FUKUSHIMI	DATE '00/12/08	MOLEX INCORPORATED		
MATERIAL NO.	DOCUMENT NO.	SD-53398-***90	SHEET NO.	1 OF 3
SEE CHART				
THIS DRAWING CONTAINS INFORMATION THAT IS PROPRIETARY TO MOLEX INCORPORATED AND SHOULD NOT BE USED WITHOUT WRITTEN PERMISSION				

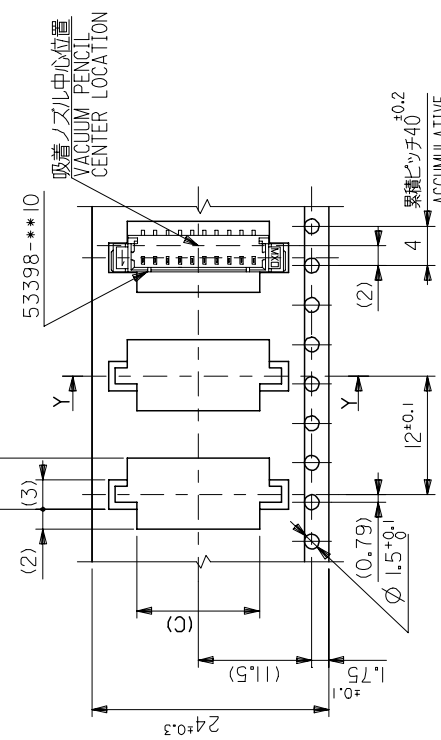
GENERAL TOLERANCES (UNLESS SPECIFIED)	
10 UNDER	±0.2
10 OVER	±0.25
30 OVER	±0.3
ANGULAR	±3°
DRAFT WHERE APPLICABLE MUST REMAIN WITHIN DIMENSIONS	
REV	DESCRIPTION
F	REVISED
	DRW: YAMAGUCHI
	CHK: K. ASAKAWA
	APP: S. CHIKAWA
	2004/10/28
	2004/10/28



SECT:Y-Y

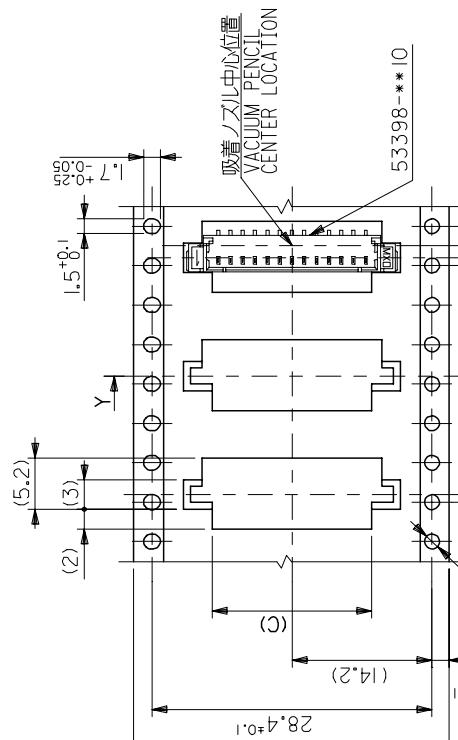


SECT:Y-Y



24ピンテープ  
(TAPE WIDTH:24)

引き出し方向  
PULL OUT DIRECTION



32ピンテープ  
(TAPE WIDTH:32)

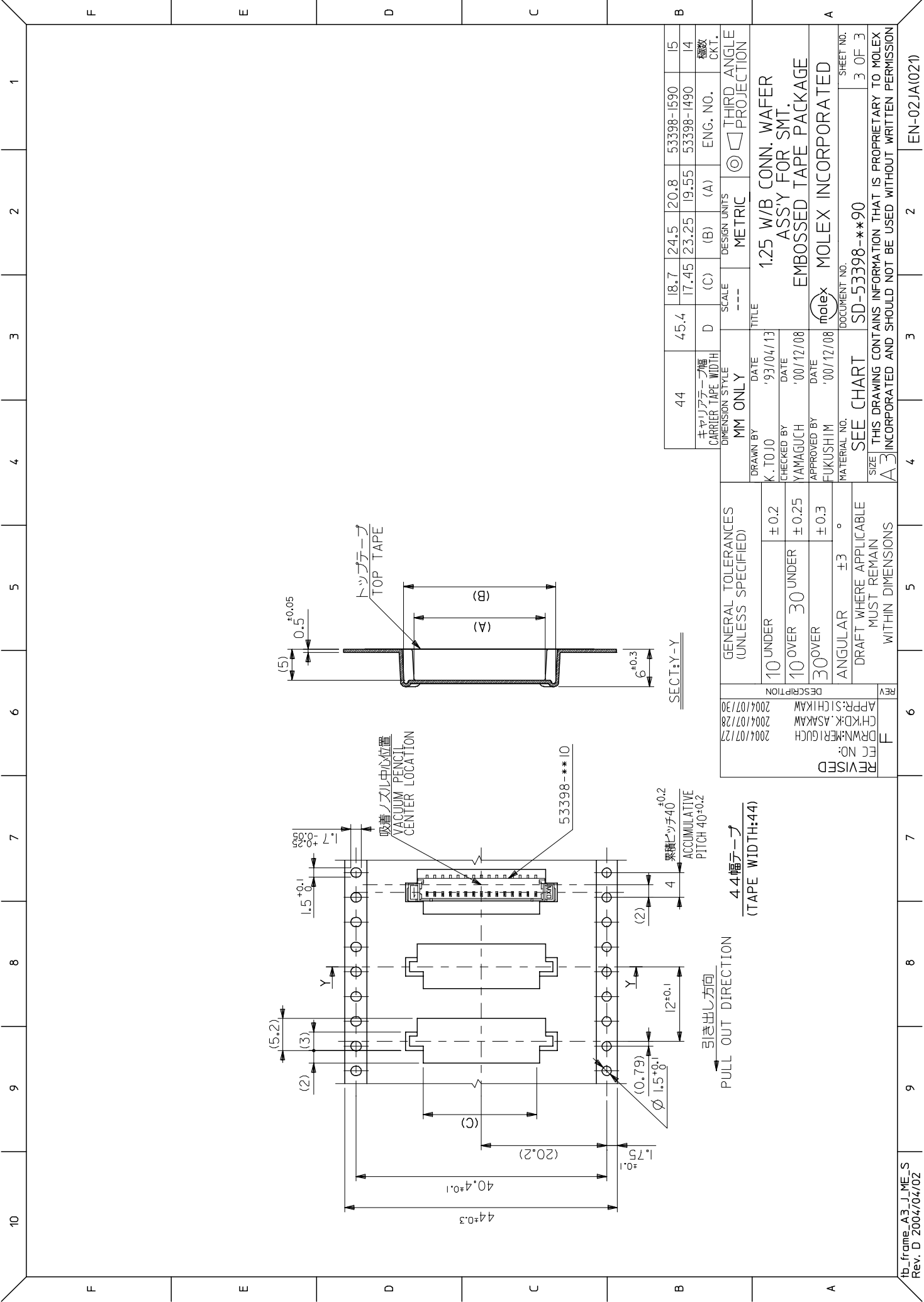
引き出し方向  
PULL OUT DIRECTION

32	33.4	16.2	22	18.3	53398-1390	13
		14.95	20.75	17.05	-1290	12
		13.7	19.5	15.8	-1190	11
		12.45	18.25	14.55	-1090	10
		11.2	17	13.3	-0990	9
		9.95	15.75	12.05	-0890	8
		8.7	14.5	10.8	-0790	7
		7.45	13.25	9.55	-0690	6
		6.2	12	8.3	-0590	5
		4.95	10.75	7.05	53398-0490	4

キャリアテープ幅 CARRIER TAPE WIDTH	D	(C)	(B)	(A)	ENG. NO.	機番 CKT.
SCALE	---	---	---	---	---	---
DESIGN UNITS	METRIC					
THIRD ANGLE PROJECTION	☉					
TITLE	1.25 W/B CONN. WAFER ASSY FOR SMT.					
DRAWN BY	MM ONLY					
DATE	'93/04/13					
CHECKED BY	YAMAGUCHI					
DATE	'00/12/08					
APPROVED BY	FUKUSHIM					
DATE	'00/12/08					
MATERIAL NO.	MOLEX INCORPORATED					
DOCUMENT NO.	SD-53398-**90					
SHEET NO.	2 OF 3					

GENERAL TOLERANCES (UNLESS SPECIFIED)	10 UNDER ±0.2
	10 OVER 30 UNDER ±0.25
	30 OVER ±0.3
ANGULAR	±3°
DRAFT WHERE APPLICABLE MUST REMAIN WITHIN DIMENSIONS	

REV	DESCRIPTION
F	REVISED
	PC NO.
	DRW:YAMAGUCHI
	CHKD:K.ASAKAWA
	APP:SIKIKAWA
	2004/107/28
	2004/107/30



REV	DESCRIPTION
F	REVISED
	FC NO.
	DRWNG: KERRI GUCH
	CHKD: K. ASAKAWA
	APP: S. CHIKAWA
	2004/07/28
	2004/07/28
	2004/07/28

GENERAL TOLERANCES (UNLESS SPECIFIED)	10 UNDER ±0.2
	10 OVER 30 UNDER ±0.25
	30 OVER ±0.3
ANGULAR	±3 °
DRAFT WHERE APPLICABLE MUST REMAIN WITHIN DIMENSIONS	

44	45.4	18.7	24.5	20.8	53398-1590	15
キャリアテープ幅 CARRIER TAPE WIDTH	D	(C)	(B)	(A)	ENG. NO.	種別 CKT.
MM ONLY	---	---	---	---	---	---
SCALE	DESIGN UNITS	THIRD ANGLE PROJECTION				
DRAWN BY	DATE	TITLE				
K. TOJO	'93/04/13	1.25 W/B CONN. WAFER ASS'Y FOR SMT.				
CHECKED BY	DATE	EMBOSSED TAPE PACKAGE				
YAMAGUCHI	'00/12/08	MOLEX INCORPORATED				
APPROVED BY	DATE	DOCUMENT NO.				
FUKUSHIM	'00/12/08	SD-53398-**-90				
MATERIAL NO.	SEE CHART	SHEET NO.				
		3 OF 3				

THIS DRAWING CONTAINS INFORMATION THAT IS PROPRIETARY TO MOLEX INCORPORATED AND SHOULD NOT BE USED WITHOUT WRITTEN PERMISSION