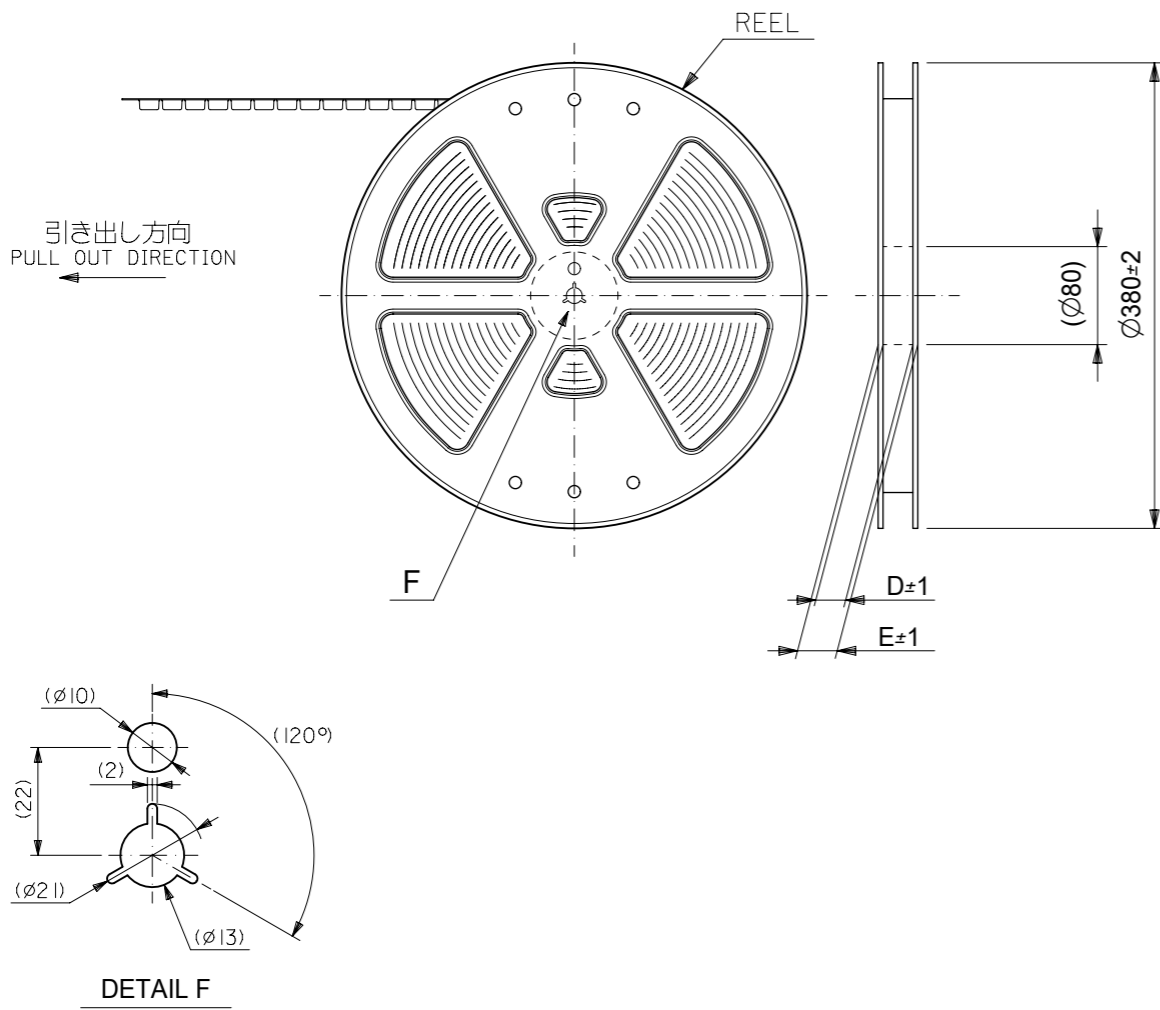


注記 NOTES:

1. 使用材料 MATERIAL  
 ハウジング: LCPガラス入り (黒) ,UL94V-0  
 HOUSING: LCP(G.F.)(COLOR :BLACK),  
 UL94V-0  
 ターミナル: リン青銅 (t=0.15)  
 TERMINAL: PHOSPHOR BRONZE (t=0.15)
2. メッキ仕様 PLATING  
 全体仕上げ: 金メッキ 0.1 MICROMETER MIN.  
 ALL OVER : GOLD 0.1 MICROMETER MIN.  
 下地メッキ: ニッケルメッキ 1.5 MICROMETER MIN.  
 UNDER PLATING : NICKEL 1.5 MICROMETER MIN.
3. 基準面 [X] からのソルダーテールの半田付け面のズレ量は、上方向 0 下方向 0.15MAX. とする。  
 MISALIGNMENT OF SOLDER TAIL FROM [X]  
 : UPPER DIRECTION 0 , LOWER DIRECTION 0.15 MAX.  
 △ (全極数/2) = 偶数の場合に適用。  
 APPLY FOR (CIRCUIT/2)=EVEN.
- 5 嵌合相手: 53748 シリーズ, 53916 シリーズ, 501920 シリーズ  
 MATE WITH : 53748 SERIES, 53916 SERIES, 501920 SERIES.
- 6 テール平坦度は、0.1MAX.  
 TAIL COPLANARITY TO BE 0.1MAX.

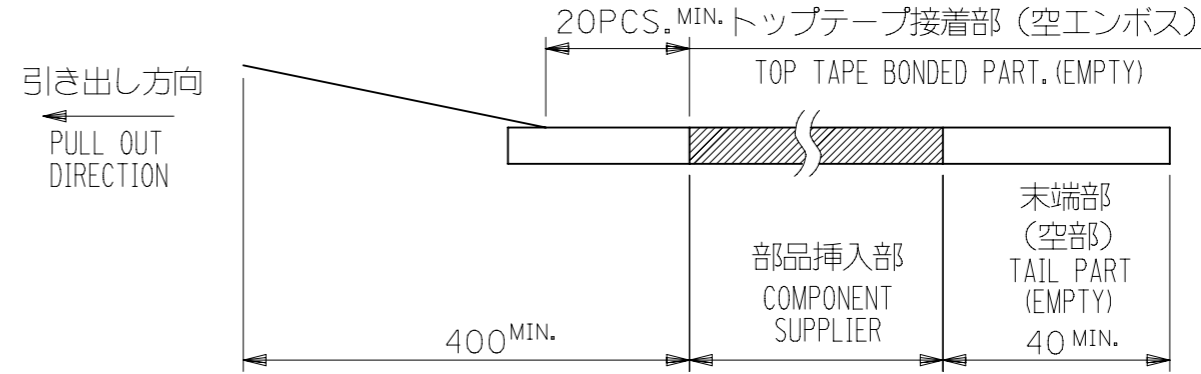
20.2	19.5	23.8	54167-0801	80
17.7	17.0	21.3	-0701	70
15.2	14.5	18.8	-0601	60
12.7	12.0	16.3	-0501	50
10.2	9.5	13.8	-0401	40
7.7	7.0	11.3	-0301	30
5.2	4.5	8.8	54167-0201	20
C	B	A	MATERIAL NO.	極数 CIRCUIT

54167***1		MODEL NO.	
GENERAL TOLERANCES (UNLESS SPECIFIED)		THIS DRAWING CONTAINS INFORMATION THAT IS PROPRIETARY TO MOLEX ELECTRONIC TECHNOLOGIES, LLC AND SHOULD NOT BE USED WITHOUT WRITTEN PERMISSION	
10 UNDER	± 0.2	DIMENSION UNITS	SCALE
10 OVER 30 UNDER	± 0.25	mm	8:1
30 OVER	± 0.3	CURRENT REV DESC: REVISED	
ANGULAR	± 3°	GENERAL TOLERANCES (UNLESS SPECIFIED)	
DRAFT WHERE APPLICABLE MUST REMAIN WITHIN DIMENSIONS		4 PLACES ± 0.2	EC NO: 614684
		3 PLACES ± 0.25	DRWN: ABABU01 2019/03/28
		2 PLACES ± 0.3	CHK'D: MSASAO 2019/03/29
		1 PLACE ±	APPR: MSASAO 2019/03/29
		0 PLACES ±	INITIAL REVISION:
		ANGULAR TOL ± 3.0°	DRWN:
		DRAFT WHERE APPLICABLE MUST REMAIN WITHIN DIMENSIONS	APPR:
		THIRD ANGLE PROJECTION	DRAWING
		A3-SIZE	SERIES
		54167	MATERIAL NUMBER
		GENERAL MARKET	CUSTOMER
		1 OF 1	SHEET NUMBER

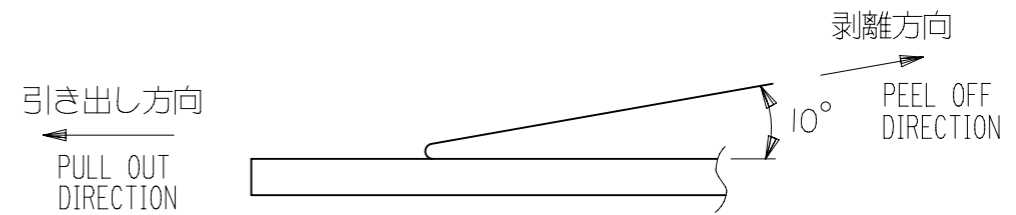


NOTES

- 製品詳細寸法については図面 SD-54167-001 を参照下さい。  
RE DETAILED DIMENSION, SEE SD-54167-001
- 梱包数量：3000個/リール  
NUMBER OF CONNECTORS : 3000PCS/REEL
- リードテープ長さ LEAD TAPE LENGTH



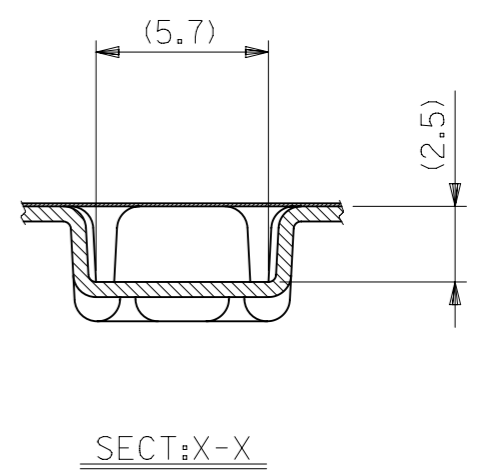
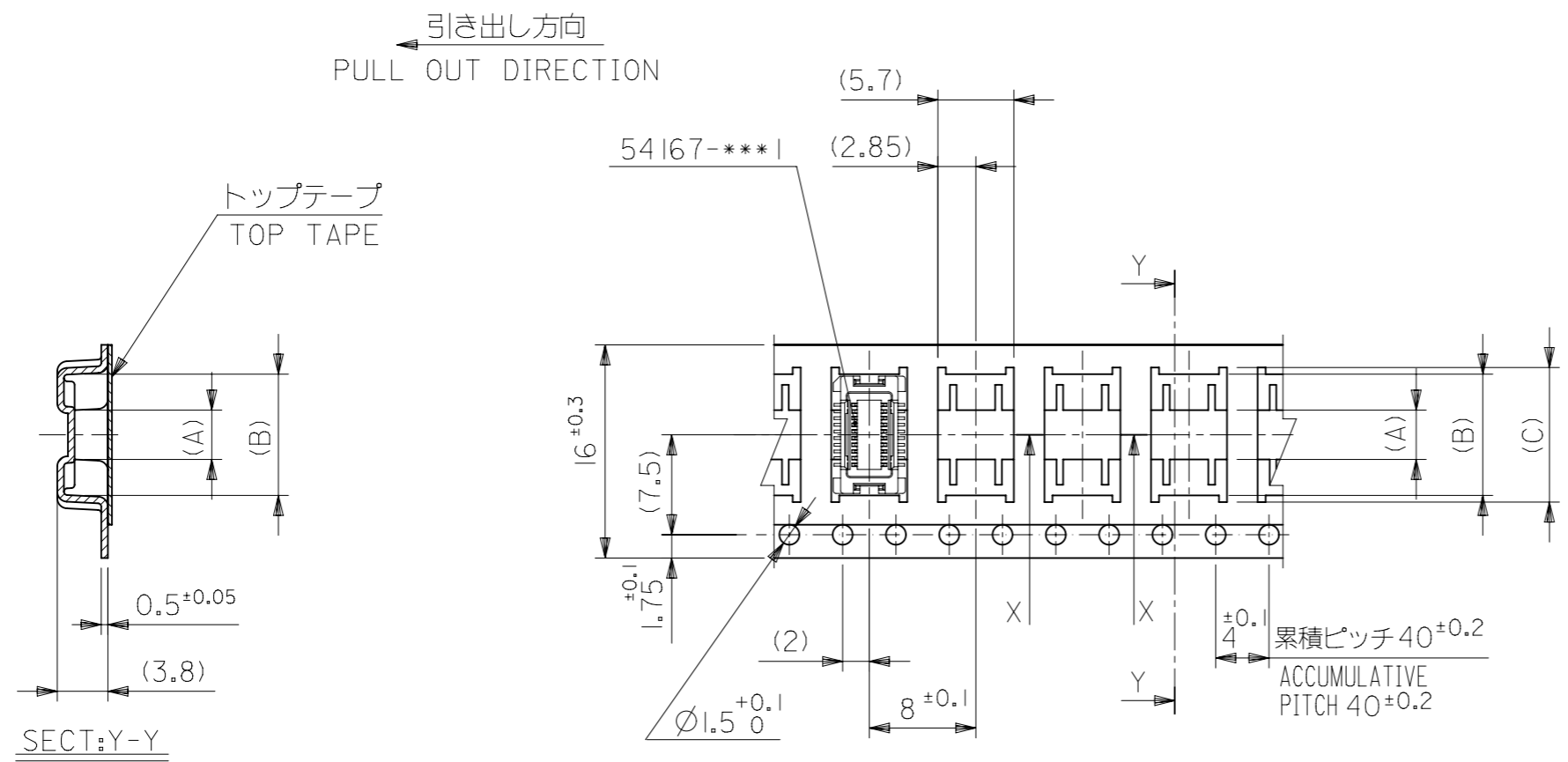
- トップテープの剥離強度：0.1N~1.3 {10gf~130gf} (剥離方向は下図参照)  
尚、本規格値は出荷時に適用。(但し、輸送時に剥離が発生しないこと。)  
PEELING OFF FORCE OF TOP TAPE : 0.1N~1.3 {10gf~130gf}  
(PEELING DIRECTION AS SHOWN IN FOLLOWING FIG.)  
THIS REQUIREMENT SHOULD BE APPLIED AT SHIPMENT.  
PEEL OFF SHOULD NOT BE ALLOWED , DURING TRANSPORTATION.



- 材料(MATERIAL)  
キャリアテープ(CARRIER TAPE)：ポリプロピレン(POLYPROPYLENE)  
トップテープ(TOPTAPE)：PET , PE , PEF  
リール(REEL)：ポリスチレン (PS) <リサイクル材を含む>  
POLYSTYREN(PS) <RECYCLE MATERIAL CONTAINED>

54167\*\*\*8 MODEL NO.

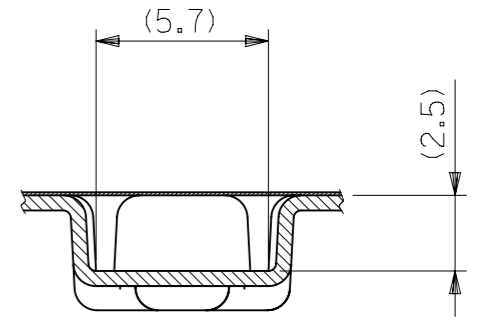
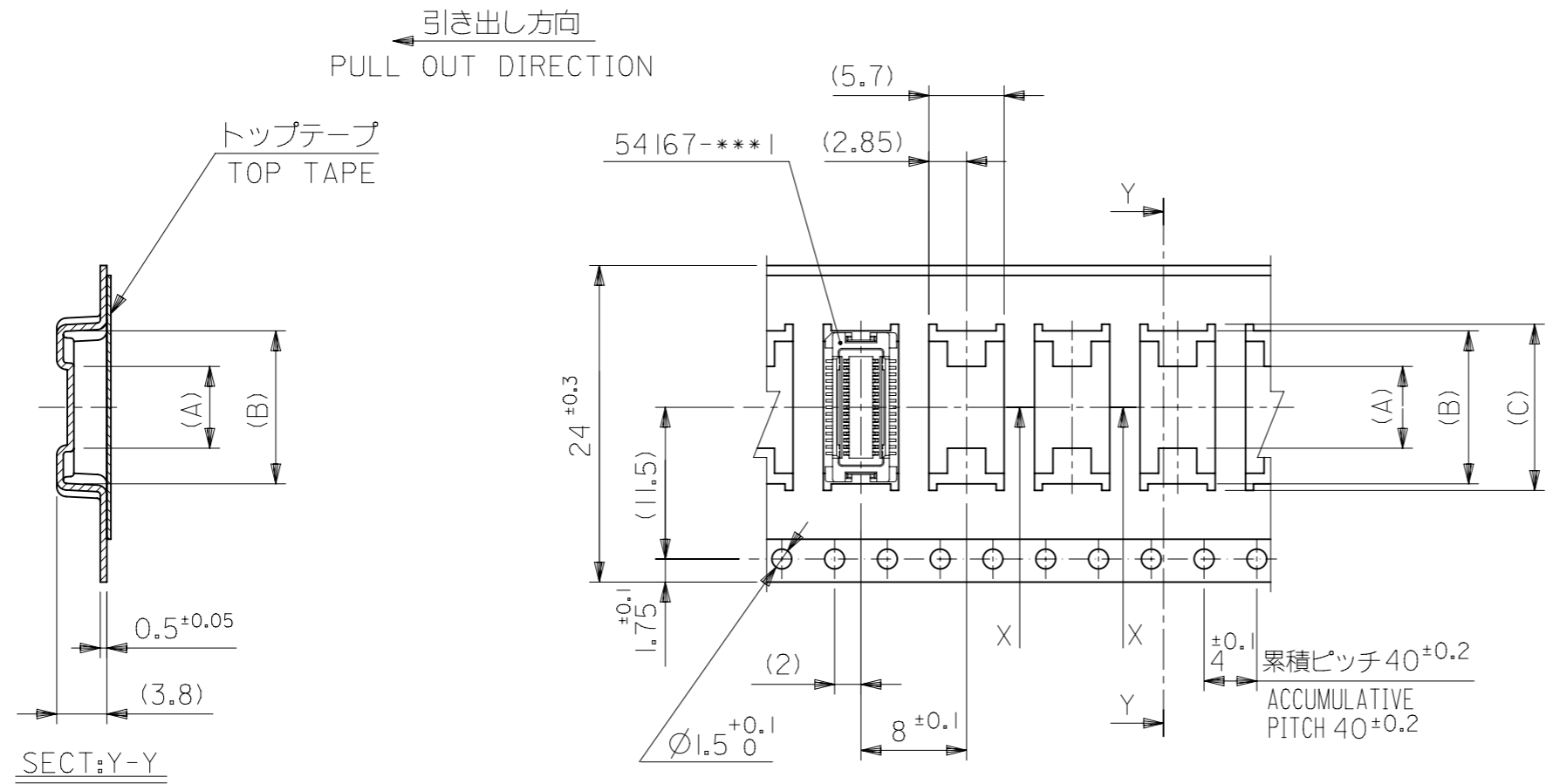
THIS DRAWING CONTAINS INFORMATION THAT IS PROPRIETARY TO MOLEX ELECTRONIC TECHNOLOGIES, LLC AND SHOULD NOT BE USED WITHOUT WRITTEN PERMISSION		CURRENT REV DESC:		<b>molex</b>	
GENERAL TOLERANCES (UNLESS SPECIFIED)		EC NO: 624787			
10 <sup>UNDER</sup> ±0.2		DRWN: RPRABHUM 2019/05/24		PRODUCT CUSTOMER DRAWING	
10 <sup>OVER</sup> 30 <sup>UNDER</sup> ±0.25		CHK'D: GGA 2019/11/11		DOCUMENT NUMBER	
30 <sup>OVER</sup> ±0.3		APPR: GGA 2019/11/11		SD-54167-002	
		INITIAL REVISION:		DOC TYPE	
		DRWN: S.AIHARA 1996/11/25		PSD	
		APPR: M.FUKUSHIMA 2000/12/06		001	
		DRAFT WHERE APPLICABLE MUST REMAIN WITHIN DIMENSIONS		REVISION	
		THIRD ANGLE PROJECTION		F1	
		DRAWING		MATERIAL NUMBER	
		A3-SIZE		SEE CHART	
		SERIES		CUSTOMER	
		54167		GENERAL MARKET	
				SHEET NUMBER	
				1 OF 4	



16mm幅キャリアテープ  
16mm WIDTH CARRIER TAPE

16	21.4	17.4	10.1	9.1	3.7	54167-0208	20
キャリアテープ幅 CARRIER TAPE WIDTH	E	D	(C)	(B)	(A)	MATERIAL NO.	極数 CIRCUIT

THIS DRAWING CONTAINS INFORMATION THAT IS PROPRIETARY TO MOLEX ELECTRONIC TECHNOLOGIES, LLC AND SHOULD NOT BE USED WITHOUT WRITTEN PERMISSION		CURRENT REV DESC:		<b>molex</b>	
GENERAL TOLERANCES (UNLESS SPECIFIED)		EC NO: 624787			
10 UNDER ±		DRWN: RPRABHUM 2019/05/24		0.5 B/B CONN REC HSG ASSY EMBSTP PKG -LEAD FREE-	
10 OVER 30 UNDER ±		CHK'D: GGA 2019/11/11		PRODUCT CUSTOMER DRAWING	
30 OVER ±		APPR: GGA 2019/11/11		DOCUMENT NUMBER	
		INITIAL REVISION:		SD-54167-002	
		DRWN: S.AIHARA 1996/11/25		DOC TYPE	
		APPR: M.FUKUSHIMA 2000/12/06		PSD	
		ANGULAR TOL ± 3.0°		DOC PART	
		DRAFT WHERE APPLICABLE MUST REMAIN WITHIN DIMENSIONS		001	
		THIRD ANGLE PROJECTION		REVISION	
		DRAWING		F1	
		SERIES		SHEET NUMBER	
		A3-SIZE		2 OF 4	
		MATERIAL NUMBER		CUSTOMER	
		54167		GENERAL MARKET	
		SEE CHART			



24mm幅キャリアテープ  
24mm WIDTH CARRIER TAPE

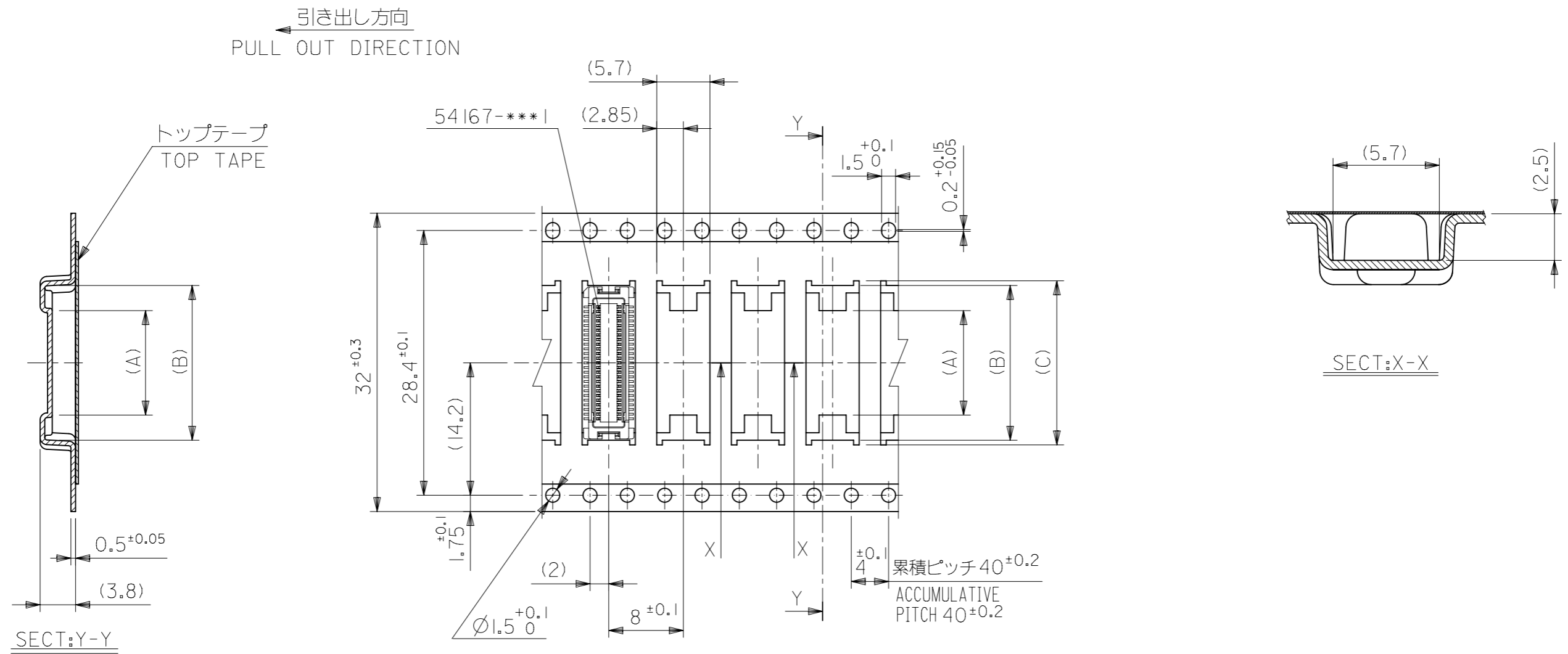
						54167***8	MODEL NO.
24	29.4	25.4	15.1	14.1	7.4	54167-0408	40
			12.6	11.6	4.9	54167-0308	30
キャリアテープ幅 CARRIER TAPE WIDTH	E	D	(C)	(B)	(A)	MATERIAL NO.	極数 CIRCUIT

THIS DRAWING CONTAINS INFORMATION THAT IS PROPRIETARY TO MOLEX ELECTRONIC TECHNOLOGIES, LLC AND SHOULD NOT BE USED WITHOUT WRITTEN PERMISSION

DIMENSION UNITS	SCALE	CURRENT REV DESC:	<b>molex</b>	
mm	NTS			
GENERAL TOLERANCES (UNLESS SPECIFIED)			0.5 B/B CONN REC HSG ASSY EMBSTP PKG -LEAD FREE-	
4 PLACES ±			PRODUCT CUSTOMER DRAWING	
3 PLACES ±			DOCUMENT NUMBER	
2 PLACES ±			SD-54167-002	
1 PLACE ±			DOC TYPE	
0 PLACES ±			PSD	
ANGULAR TOL ± 3.0°			DOC PART	
DRAFT WHERE APPLICABLE MUST REMAIN WITHIN DIMENSIONS			001	
THIRD ANGLE PROJECTION			REVISION	
DRAWING			F1	
SERIES			SHEET NUMBER	
A3-SIZE			3 OF 4	
MATERIAL NUMBER			SEE CHART	
CUSTOMER			GENERAL MARKET	

GENERAL TOLERANCES (UNLESS SPECIFIED)

10 <sup>UNDER</sup>	±	----
10 <sup>OVER</sup>	30 <sup>UNDER</sup>	±
30 <sup>OVER</sup>		±



32mm幅キャリアテープ  
32mm WIDTH CARRIER TAPE

32						37.4	33.4	17.6	16.6	11.2	54167-0508	50
キャリアテープ幅 CARRIER TAPE WIDTH						E	D	(C)	(B)	(A)	MATERIAL NO.	極数 CIRCUIT

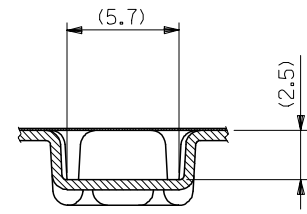
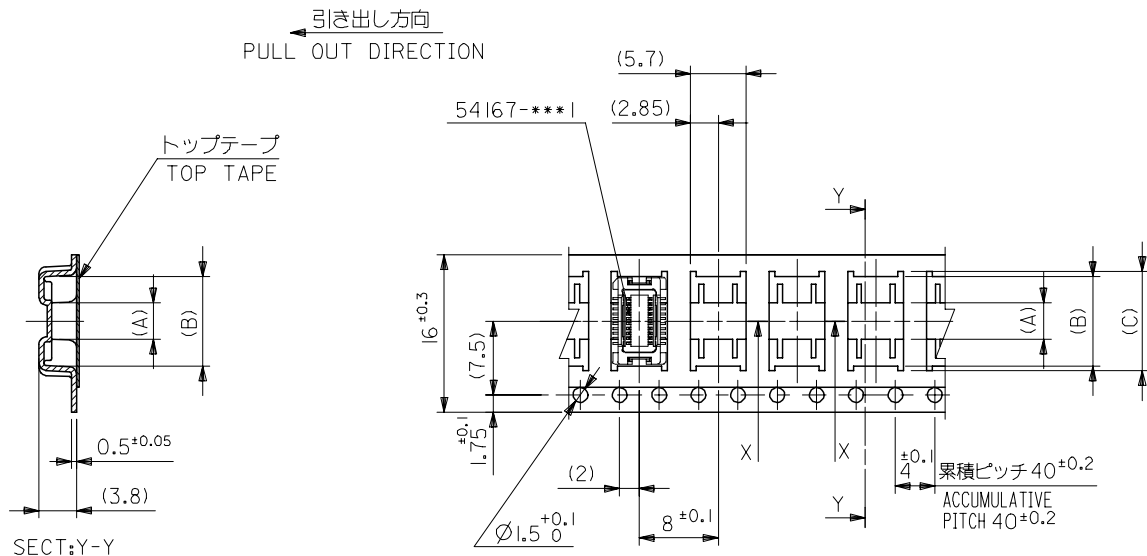
54167\*\*\*8 MODEL NO.

THIS DRAWING CONTAINS INFORMATION THAT IS PROPRIETARY TO MOLEX ELECTRONIC TECHNOLOGIES, LLC AND SHOULD NOT BE USED WITHOUT WRITTEN PERMISSION

DIMENSION UNITS		SCALE		CURRENT REV DESC:			
mm	NTS			<b>molex</b>			
GENERAL TOLERANCES (UNLESS SPECIFIED)				0.5 B/B CONN REC HSG ASSY EMBSTP PKG -LEAD FREE-			
4 PLACES ±				PRODUCT CUSTOMER DRAWING			
3 PLACES ±				DOCUMENT NUMBER			
2 PLACES ±				SD-54167-002			
1 PLACE ±				DOC TYPE			
0 PLACES ±				PSD			
ANGULAR TOL ± 3.0°				DOC PART			
DRAFT WHERE APPLICABLE MUST REMAIN WITHIN DIMENSIONS				001			
THIRD ANGLE PROJECTION				REVISION			
DRAWING				F1			
SERIES				MATERIAL NUMBER			
A3-SIZE				SEE CHART			
54167				CUSTOMER			
				GENERAL MARKET			
				SHEET NUMBER			
				4 OF 4			

GENERAL TOLERANCES (UNLESS SPECIFIED)

10 <sup>UNDER</sup>	±	----
10 <sup>OVER</sup> 30 <sup>UNDER</sup>	±	----
30 <sup>OVER</sup>	±	----



16mm幅キャリアテープ  
16mm WIDTH CARRIER TAPE

REVISED	REV	DESCRIPTION	54167***8	MODEL NO.	16	21.4	17.4	10.1	9.1	3.7	54167-0208	20		
EC NO: J2006-0604	DRWN:NAIDA	2005/08/31	CHKD:KTOYODA	2005/09/01	APP:NUKITA	2005/09/09	キャリヤテープ幅 CARRIER TAPE WIDTH	E	D	(C)	(B)	(A)	MATERIAL NO.	極数 CIRCUIT
GENERAL TOLERANCES (UNLESS SPECIFIED)			DIMENSION STYLE		SCALE		DESIGN UNITS		THIRD ANGLE PROJECTION					
10 UNDER ± ---			MM ONLY		---		METRIC							
10 OVER 30 UNDER ± ---			DRAWN BY		DATE		TITLE		0.5 B/B CONN REC HSG					
30 OVER ± ---			S. AIHARA		'97/05/09		ASSY EMBSTP PKG		-LEAD FREE-					
ANGULAR ± --- °			CHECKED BY		DATE		APPROVED BY		DATE		MOLEX MOLEX INCORPORATED			
DRAFT WHERE APPLICABLE MUST REMAIN WITHIN DIMENSIONS			T. ITO		'00/12/06		M. FUKUSHIMA		'00/12/06		DOCUMENT NO. SHEET NO.			
			SEE CHART		SD-54167-002				2 OF 6					
			SIZE		A3		THIS DRAWING CONTAINS INFORMATION THAT IS PROPRIETARY TO MOLEX INCORPORATED AND SHOULD NOT BE USED WITHOUT WRITTEN PERMISSION							

10 9 8 7 6 5 4 3 2 1

F

E

D

C

B

A

F

E

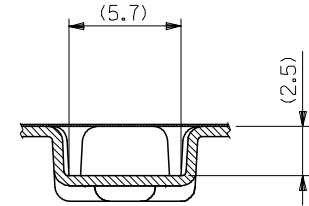
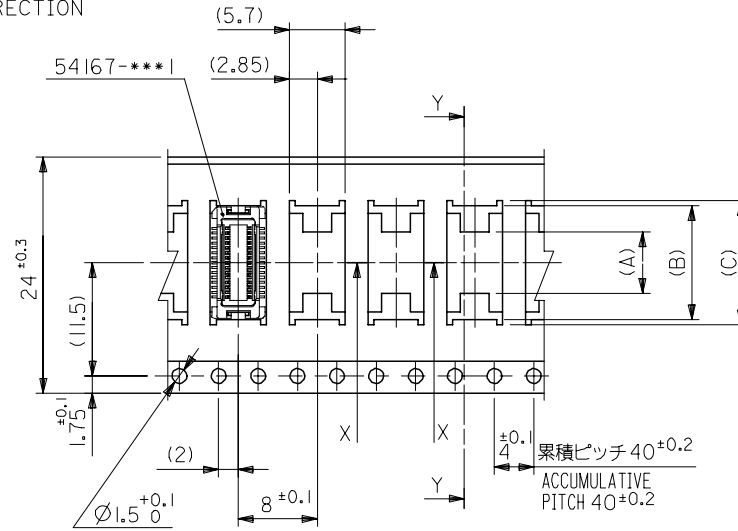
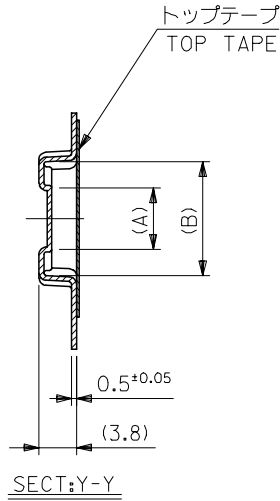
D

C

B

A

引き出し方向  
PULL OUT DIRECTION



24mm幅キャリアテープ  
24mm WIDTH CARRIER TAPE

24	29.4	25.4	15.1	14.1	7.4	54167-0408	40
			12.6	11.6	4.9	54167-0308	30
キャリアテープ幅 CARRIER TAPE WIDTH	E	D	(C)	(B)	(A)	MATERIAL NO.	極数 CIRCUIT

REVISED	DESCRIPTION
EC NO: J2006-0604	2005/08/31
DRW:NAIDA	2005/09/01
CHK:KTOYODA	2005/09/01
APP:NUKITA	2005/09/09

54167***8	MODEL NO.
GENERAL TOLERANCES (UNLESS SPECIFIED)	
10 UNDER	± ---
10 OVER 30 UNDER	± ---
30 OVER	± ---
ANGULAR	± --- °
DRAFT WHERE APPLICABLE MUST REMAIN WITHIN DIMENSIONS	

DIMENSION STYLE MM ONLY	
DRAWN BY	DATE
S. AIHARA	'97/05/09
CHECKED BY	DATE
T. ITO	'00/12/06
APPROVED BY	DATE
M. FUKUSHIMA	'00/12/06
MATERIAL NO.	DOCUMENT NO.
SEE CHART	SD-54167-002
SIZE	A3

SCALE	DESIGN UNITS	THIRD ANGLE PROJECTION
---	METRIC	
TITLE		
0.5 B/B CONN REC HSG ASSY EMBSTP PKG -LEAD FREE-		
MOLEX INCORPORATED		
SHEET NO.		3 OF 6
THIS DRAWING CONTAINS INFORMATION THAT IS PROPRIETARY TO MOLEX INCORPORATED AND SHOULD NOT BE USED WITHOUT WRITTEN PERMISSION		

9

8

7

6

5

4

3

2

10 9 8 7 6 5 4 3 2 1

F

E

D

C

B

A

F

E

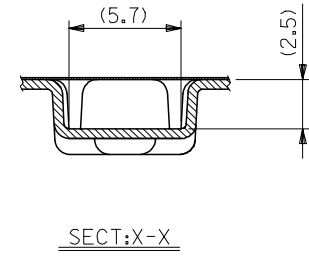
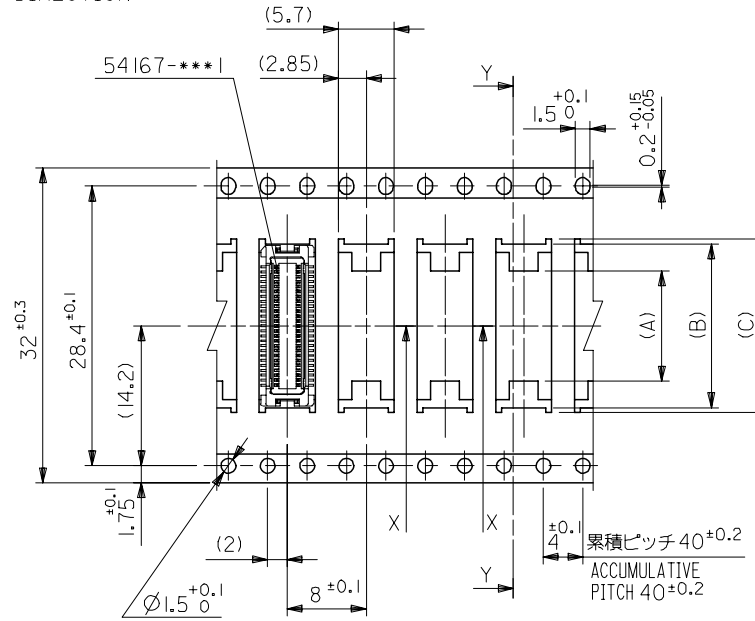
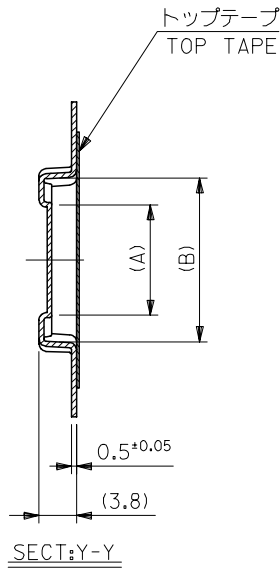
D

C

B

A

引き出し方向  
PULL OUT DIRECTION



32mm幅キャリアテープ  
32mm WIDTH CARRIER TAPE

REVISED		EC NO: J2006-0604		2005/08/31		2005/09/01		2005/09/09		54167***8		MODEL NO.		32		37.4		33.4		17.6		16.6		11.2		54167-0508		50					
DRAWN BY		DATE		TITLE		SCALE		DESIGN UNITS		THIRD ANGLE PROJECTION		DIMENSION STYLE		CARRIER TAPE WIDTH		E		D		(C)		(B)		(A)		MATERIAL NO.		極数					
S.AIHARA		'96/11/25		0.5 B/B CONN REC HSG ASSY EMBSTP PKG -LEAD FREE-		---		METRIC		⊙ □		MM ONLY		E		D		(C)		(B)		(A)		54167-0508		50							
CHECKED BY		DATE		MOLEX INCORPORATED		---		---		---		DRAWN BY		DATE		TITLE		SCALE		DESIGN UNITS		THIRD ANGLE PROJECTION		DIMENSION STYLE		CARRIER TAPE WIDTH		極数					
T. ITO		'00/12/06		MOLEX INCORPORATED		---		---		---		S.AIHARA		'96/11/25		0.5 B/B CONN REC HSG ASSY EMBSTP PKG -LEAD FREE-		---		METRIC		⊙ □		MM ONLY		E		極数					
APPROVED BY		DATE		MOLEX INCORPORATED		---		---		---		M.FUKUSHIMA		'00/12/06		MOLEX INCORPORATED		---		---		---		---		---		---		---			
MATERIAL NO.		DOCUMENT NO.		SHEET NO.		---		---		---		---		---		---		---		---		---		---		---		---		---			
SEE CHART		SD-54167-002		4 OF 6		---		---		---		---		---		---		---		---		---		---		---		---		---			
SIZE		THIS DRAWING CONTAINS INFORMATION THAT IS PROPRIETARY TO MOLEX INCORPORATED AND SHOULD NOT BE USED WITHOUT WRITTEN PERMISSION		---		---		---		---		---		---		---		---		---		---		---		---		---		---		---	
A3		---		---		---		---		---		---		---		---		---		---		---		---		---		---		---		---	

9

8

7

6

5

4

3

2



10 9 8 7 6 5 4 3 2 1

F

E

D

C

B

A

F

E

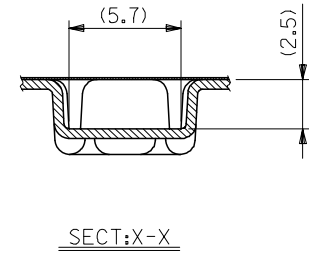
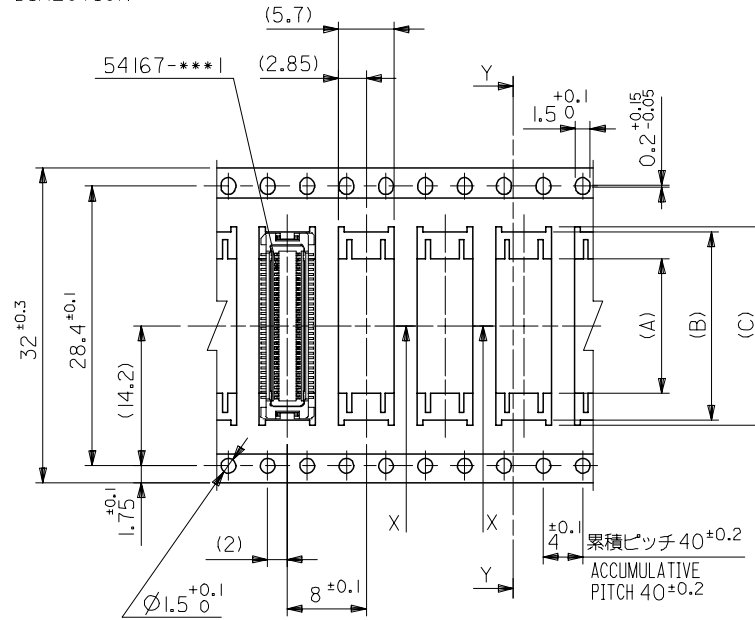
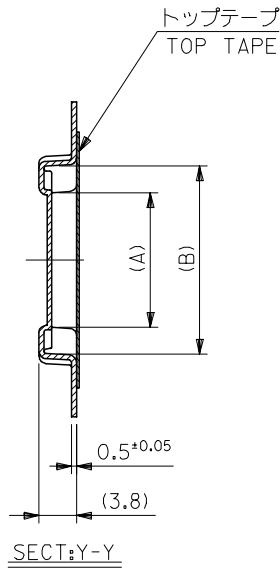
D

C

B

A

引き出し方向  
PULL OUT DIRECTION



32mm幅キャリアテープ  
32mm WIDTH CARRIER TAPE

REVISED EC NO: J2006-0604 DRW:NAIDA 2005/08/31 CHK:KTOYODA 2005/09/01 APP:NUKITA 2005/09/09	54167***8 MODEL NO.		32	37.4	33.4	20.1	19.1	13.7	54167-0608	60
	GENERAL TOLERANCES (UNLESS SPECIFIED)		キャリアテープ幅 CARRIER TAPE WIDTH	E	D	(C)	(B)	(A)	MATERIAL NO.	極数 CIRCUIT
	10 UNDER ± ---		DIMENSION STYLE MM ONLY		SCALE ---		DESIGN UNITS METRIC		THIRD ANGLE PROJECTION	
	10 OVER 30 UNDER ± ---		DRAWN BY T. YASUI		DATE '97/05/14		TITLE 0.5 B/B CONN REC HSG ASSY EMBSTP PKG -LEAD FREE-			
30 OVER ± ---		CHECKED BY T. ITO		DATE '00/12/06		MOLEX INCORPORATED				
ANGULAR ±1 °		APPROVED BY M. FUKUSHIMA		DATE '00/12/06		DOCUMENT NO. SD-54167-002		SHEET NO. 5 OF 6		
DRAFT WHERE APPLICABLE MUST REMAIN WITHIN DIMENSIONS		MATERIAL NO. SEE CAHRT								
		SIZE A3		THIS DRAWING CONTAINS INFORMATION THAT IS PROPRIETARY TO MOLEX INCORPORATED AND SHOULD NOT BE USED WITHOUT WRITTEN PERMISSION						

9

8

7

6

5

4

3

2

10 9 8 7 6 5 4 3 2 1

F

E

D

C

B

A

F

E

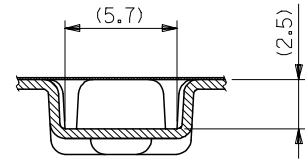
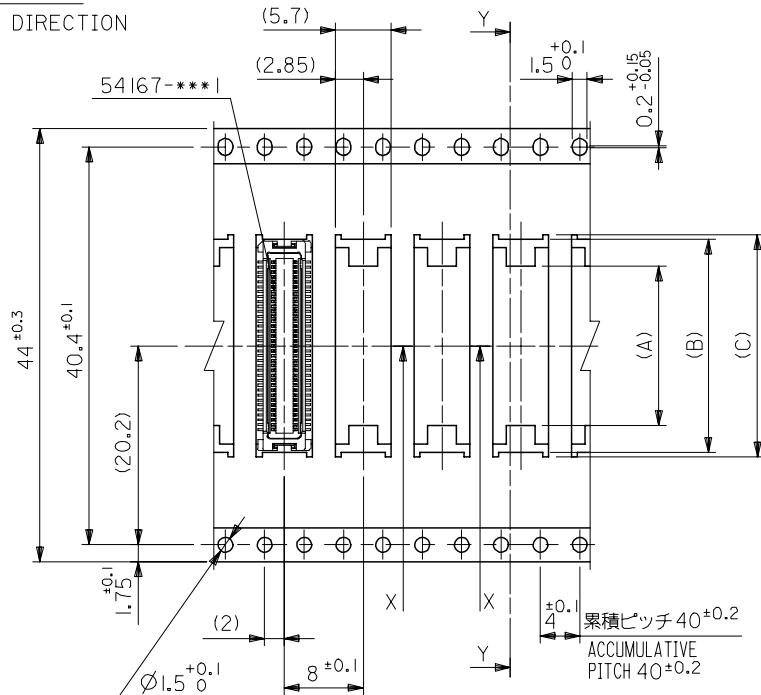
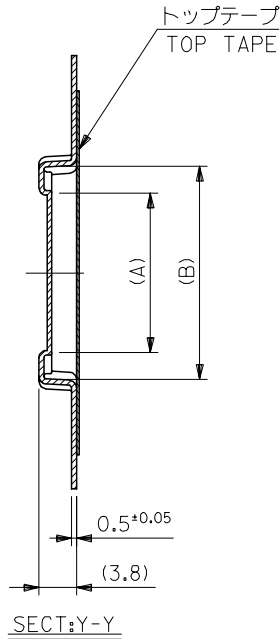
D

C

B

A

引き出し方向  
PULL OUT DIRECTION



SECT:X-X

44mm幅キャリアテープ  
44mm WIDTH CARRIER TAPE

REVISED EC NO: J2006-0604 DRW:NAIDA 2005/08/31 CHKD:TOYODA 2005/09/01 APPR:NUKITA 2005/09/09	54167***8 MODEL NO.		44	49.4	45.4	25.1	24.1	17.5	54167-0808	80
	GENERAL TOLERANCES (UNLESS SPECIFIED)		キャリアテープ幅 CARRIER TAPE WIDTH	E	D	(C)	(B)	(A)	MATERIAL NO.	極数 CIRCUIT
	10 UNDER ± ---		DIMENSION STYLE MM ONLY		SCALE ---		DESIGN UNITS METRIC		THIRD ANGLE PROJECTION	
	10 OVER 30 UNDER ± ---		DRAWN BY S. AIHARA		DATE '98/10/23		TITLE 0.5 B/B CONN REC HSG ASSY EMBSTP PKG -LEAD FREE-			
30 OVER ± ---		CHECKED BY T. ITO		DATE '00/12/06		MOLEX INCORPORATED				
ANGULAR ± --- °		APPROVED BY M. FUKUSHIMA		DATE '00/12/06		DOCUMENT NO. SD-54167-002				
DRAFT WHERE APPLICABLE MUST REMAIN WITHIN DIMENSIONS		MATERIAL NO. SEE CHART		DATE		SHEET NO. 6 OF 6				
		SIZE A3		THIS DRAWING CONTAINS INFORMATION THAT IS PROPRIETARY TO MOLEX INCORPORATED AND SHOULD NOT BE USED WITHOUT WRITTEN PERMISSION						

9

8

7

6

5

4

3

2