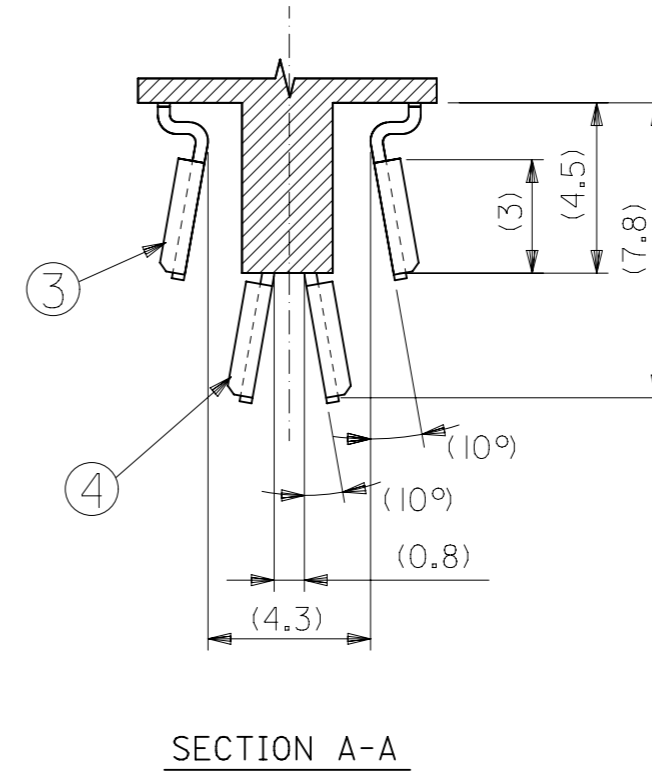


NO.	DESCRIPTION	MATERIAL	FINISH
①	シェル SHELL	鋼 STEEL	ニッケルメッキ NICKEL PLATING
②	ハウジング HOUSING	ポリアミド46 UL94V-0 POLYAMIDE46	色:黒 COLOR:BLACK
③	端子 TERMINAL	りん青銅 PHOSPHOR BRONZE	接点部 CONTACT AREA GOLD:0.3 MICROMETER MIN 半田付け部分 SOLDER TAIL TIN:1.0 MICROMETER MIN
④	端子 TERMINAL		全体下地 UNDER PLATING NICKEL:2.0 MICROMETER MIN



30.48	38.23	54306-50 19	50
21.59	29.34	54306-36 19	36
11.43	19.3	54306-20 19	20
7.62	15.37	54306-14 19	14
B	A	製品番号 MATERIAL NO.	極数 CKT

MODEL NO. 54306-**19

THIS DRAWING CONTAINS INFORMATION THAT IS PROPRIETARY TO MOLEX ELECTRONIC TECHNOLOGIES, LLC AND SHOULD NOT BE USED WITHOUT WRITTEN PERMISSION

DIMENSION UNITS mm	SCALE 5:1	CURRENT REV DESC: OBSOLETE PART NUMBER	molex		
GENERAL TOLERANCES (UNLESS SPECIFIED)		EC NO: 632260			
4 PLACES ±		DRWN: AKUMAR19 2020/02/03	PRODUCT CUSTOMER DRAWING		
3 PLACES ±		CHK'D: GGA 2020/02/28	DOCUMENT NUMBER		
2 PLACES ±		APPR: GGA 2020/02/28	SD-54306-001		
1 PLACE ±		INITIAL REVISION:	DOC TYPE DOC PART REVISION		
0 PLACES ±		DRWN: T.UENO 2004/05/19	PSD 001 B		
ANGULAR TOL ± °		APPR: M.SASAO 2004/05/19	MATERIAL NUMBER CUSTOMER SHEET NUMBER		
DRAFT WHERE APPLICABLE MUST REMAIN WITHIN DIMENSIONS		THIRD ANGLE PROJECTION	SEE TABLE GENERAL MARKET 1 OF 1		

GENERAL TOLERANCES (UNLESS SPECIFIED)	
10 ^{UNDER}	±0.2
10 ^{OVER} 30 ^{UNDER}	±0.25
30 ^{OVER}	±0.3
ANGULAR	±3°