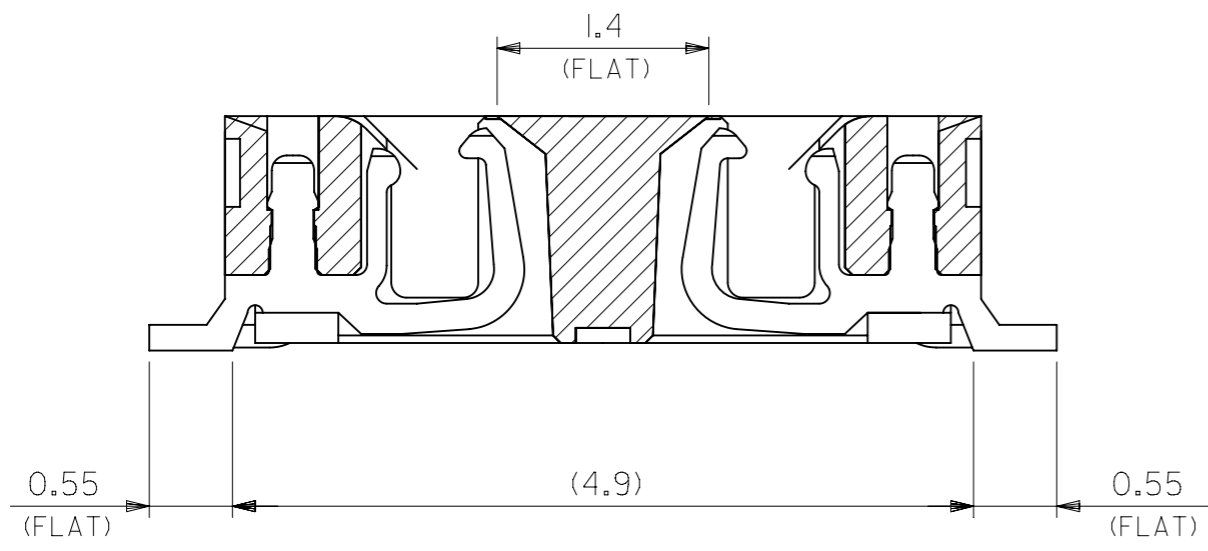


注記
NOTES:

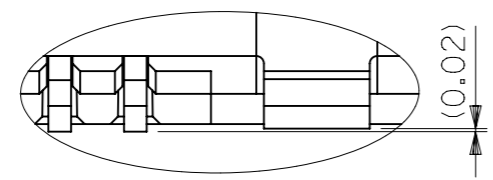
1. 材質
MATERIAL
ハウジング: LCP (液晶ポリマー)、ガラス充填、黒色、UL 94V-0
HOUSING: LCP (LIQUID CRYSTAL POLYMER), GLASS FILLED, BLACK, UL 94V-0
ターミナル: 銅合金 (t=0.15)
TERMINAL: COPPER ALLOY (t=0.15)
ネイル: 銅合金 (t=0.2)
NAIL: COPPER ALLOY (t=0.2)
2. メッキ仕様
PLATING
ターミナル
TERMINAL
接点部: 金メッキ 0.25マイクロメートル以上
CONTACT AREA: GOLD 0.25 MICROMETER MINIMUM
半田付け部: 金メッキ 0.4マイクロメートル以下
SOLDER TAIL AREA: GOLD 0.4 MICROMETER MAXIMUM
下地メッキ: ニッケルメッキ 1.5マイクロメートル以上
UNDER PLATING: NICKEL 1.5 MICROMETER MINIMUM
ネイル
NAIL
錫メッキ 3.0マイクロメートル以上
Sn 3.0 MICROMETER MINIMUM
下地メッキ: ニッケルメッキ 1.0マイクロメートル以上
UNDER PLATING: Ni 1.0 MICROMETER MINIMUM
3. テール平坦度は、0.08ミリメートル以下。テールとネイルを併せた平坦度は、0.1ミリメートル以下。
TAIL COPLANARITY TO BE 0.08 MAXIMUM. TAILS AND NAILS COPLANARITY TO BE 0.1 MAXIMUM.
4. 嵌合相手: 55299-**** (H=3mm)
: 55201-****, 55650-**** (H=2mm)
MATED CONN.: 55299-**** (H=3mm)
: 55201-****, 55650-**** (H=2mm)
5. この製品は54363-***01, (エンボス梱包品 54363-***08) の鉛フリー品です。
THIS PRODUCT IS 'LEAD FREE' OF 54363-***01, (EMBOSSED TAPE PKG 54363-***08)

| | | | | | | | |
|------|------|------|------|------------------------------------|----------------------|----------------|-------------------|
| 40.5 | 41.9 | 39.5 | 43.9 | 54363-1678 | 54363-1671 | 160 | — |
| 35.5 | 36.9 | 34.5 | 38.9 | 54363-1478 | 54363-1471 | 140 | ○ |
| 30.5 | 31.9 | 29.5 | 33.9 | 54363-1278 | 54363-1271 | 120 | ○ |
| 28 | 29.4 | 27 | 31.4 | 54363-1178 | 54363-1171 | 110 | ○ |
| 25.5 | 26.9 | 24.5 | 28.9 | 54363-1078 | 54363-1071 | 100 | ○ |
| 23 | 24.4 | 22 | 26.4 | 54363-0978 | 54363-0971 | 90 | — |
| 20.5 | 21.9 | 19.5 | 23.9 | 54363-0878 | 54363-0871 | 80 | ○ |
| 18 | 19.4 | 17 | 21.4 | 54363-0778 | 54363-0771 | 70 | ○ |
| 15.5 | 16.9 | 14.5 | 18.9 | 54363-0678 | 54363-0671 | 60 | ○ |
| 13 | 14.4 | 12 | 16.4 | 54363-0578 | 54363-0571 | 50 | ○ |
| 10.5 | 11.9 | 9.5 | 13.9 | 54363-0478 | 54363-0471 | 40 | ○ |
| 5.5 | 6.9 | 4.5 | 8.9 | 54363-0278 | 54363-0271 | 20 | ○ |
| D | C | B | A | エンボス梱包品 EMBOSSED TAPE PACKAGING | 製品番号 MATERIAL NO. | 極数 CIRCUITS | 量産対応 AVAILABLE |

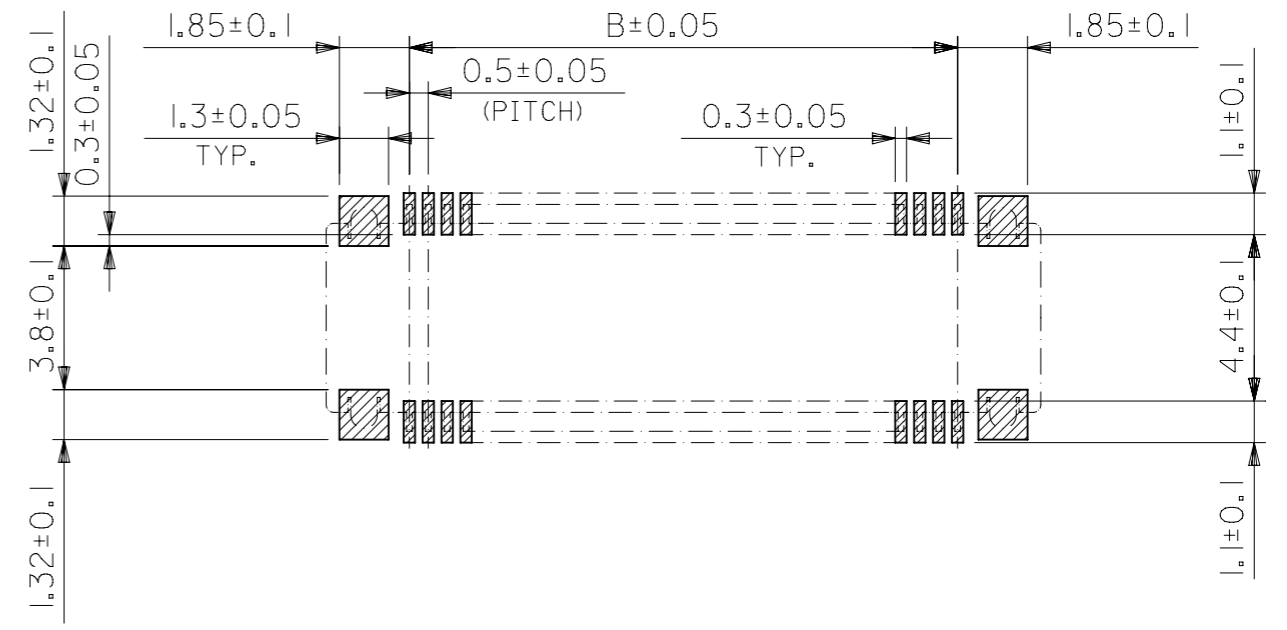
| | | | | | | | | | | | |
|---------------------------------------|-----------|-----------------|--|--|--|--|--|--|--|--|--|
| GENERAL TOLERANCES (UNLESS SPECIFIED) | | DIMENSION UNITS | | SCALE | | CURRENT REV DESC: OBSOLETE PART NUMBER | | | | | |
| 0.25 UNDER | UNDER | ±0.03 | | mm 10:1 | | EC NO: 618242 | | | | | |
| 0.25 OVER | 0.5 UNDER | ±0.05 | | GENERAL TOLERANCES (UNLESS SPECIFIED) | | DRWN: AKUMAR19 2019/03/12 | | DOCUMENT NUMBER SD-54363-038 DOC TYPE DOC PART REVISION PSD 001 C | | | |
| 0.5 OVER | 1.0 UNDER | ±0.1 | | 4 PLACES ± | | CHK'D: GGA 2020/02/28 | | | | | |
| 1.0 OVER | 10 UNDER | ±0.2 | | 3 PLACES ± | | APPR: GGA 2020/02/28 | | INITIAL REVISION: DRWN: A.IDA 2004/01/06 APPR: H.TAKASE 2004/01/06 | | | |
| 10 OVER | 30 UNDER | ±0.25 | | 2 PLACES ± | | THIRD ANGLE PROJECTION | | | | | |
| 30 OVER | | ±0.3 | | 1 PLACE ± | | DRAWING | | SERIES A3-SIZE | | | |
| | | | | 0 PLACES ± | | SERIES | | | | | |
| | | | | ANGULAR TOL ± 3.0° | | DRAWING | | MATERIAL NUMBER 54363 CUSTOMER GENERAL MARKET SHEET NUMBER 1 OF 2 | | | |
| | | | | DRAFT WHERE APPLICABLE MUST REMAIN WITHIN DIMENSIONS | | SERIES | | | | | |
| | | | | | | SERIES | | MATERIAL NUMBER 54363 CUSTOMER GENERAL MARKET SHEET NUMBER 1 OF 2 | | | |
| | | | | | | SERIES | | | | | |



製品断面図 (半田付け部、吸着面寸法)
 DETAIL FOR SOLDERING AND VACUUM AREA



T部詳細
 DETAIL T

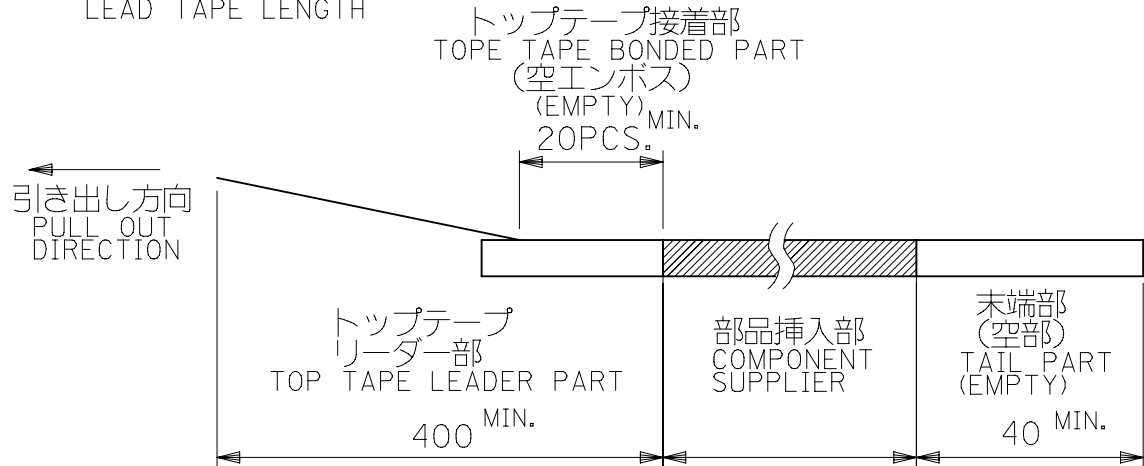
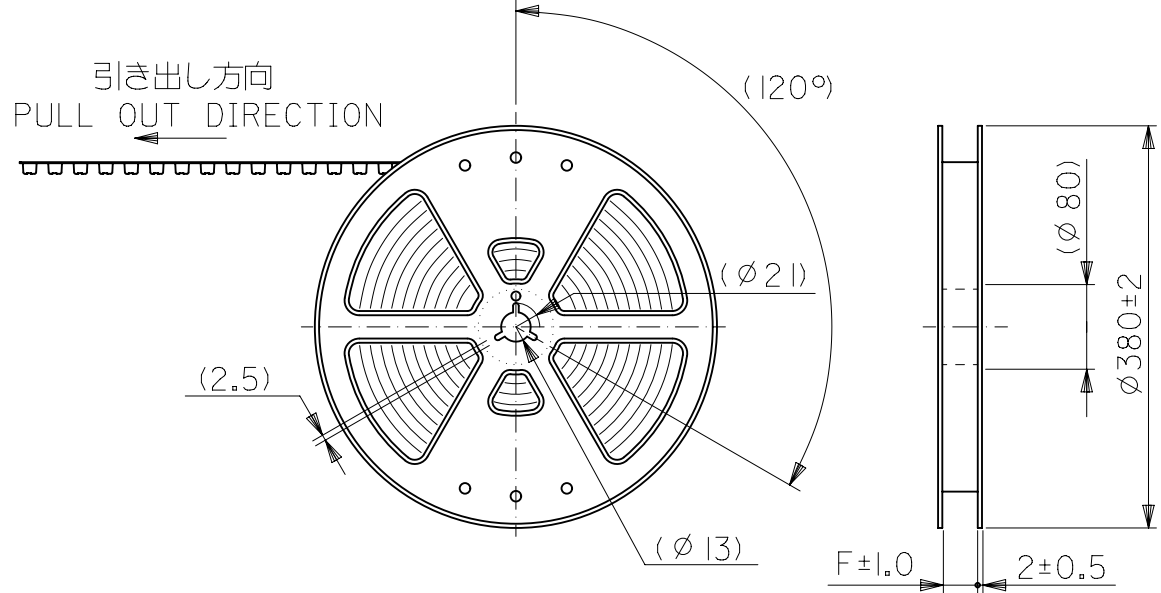


推奨基板寸法
 RECOMMENDED PCB PATTERN LAYOUT
 (SCALE:5-1)

| | | | | | | | | | |
|--|--|--|---|--|--|--|--|--|--|
| GENERAL TOLERANCES (UNLESS SPECIFIED) 0.25 UNDER UNDER ±0.03 0.25 OVER 0.5 UNDER ±0.05 0.5 OVER 1.0 UNDER ±0.1 1.0 OVER 10 UNDER ±0.2 10 OVER 30 UNDER ±0.25 30 OVER ±0.3 | | | DIMENSION UNITS: mm INCH SCALE: 20:1 GENERAL TOLERANCES (UNLESS SPECIFIED) 4 PLACES ± ± 3 PLACES ± ± 2 PLACES ± ± 1 PLACE ± ± 0 PLACES ± ± ANGULAR TOL ± 3.0° DRAFT WHERE APPLICABLE MUST REMAIN WITHIN DIMENSIONS | | THIS DRAWING CONTAINS INFORMATION THAT IS PROPRIETARY TO MOLEX ELECTRONIC TECHNOLOGIES, LLC AND SHOULD NOT BE USED WITHOUT WRITTEN PERMISSION CURRENT REV DESC: OBSOLETE PART NUMBER EC NO: 618242 DRWN: AKUMAR19 2019/03/12 CHK'D: GGA 2020/02/28 APPR: GGA 2020/02/28 INITIAL REVISION: DRWN: A.IDA 2004/01/06 APPR: H.TAKASE 2004/01/06 | | molex 0.5 PITCH B/B CONN. REC. HOUSING ASSY (H=2,3) WITH NAIL -LEAD FREE- PRODUCT CUSTOMER DRAWING | | |
| DOCUMENT STATUS P1 RELEASE DATE 2020/02/28 02:32:57 | | | MATERIAL NUMBER: SEE TABLE CUSTOMER: GENERAL MARKET SHEET NUMBER: 2 OF 2 | | DOCUMENT NUMBER: SD-54363-038 DOC TYPE: PSD DOC PART: 001 REVISION: C | | SERIES: 54363 DRAWING: A3-SIZE | | |

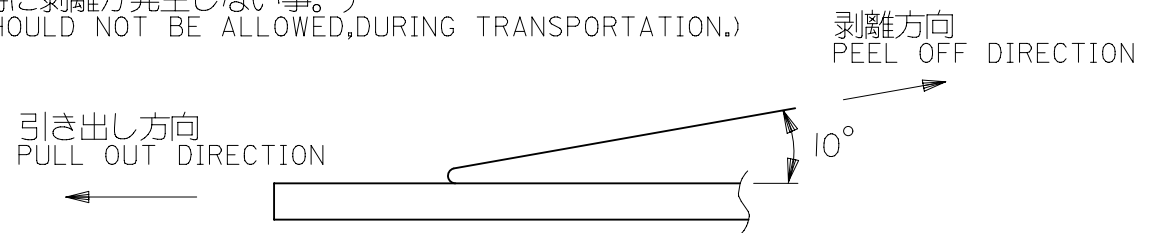
注)
NOTES

- 製品番号54363-***71 詳細寸法については、製品単体図面を参照下さい。
IN THE PACKAGE PART NUMBER 54363-***71 DETAILED DIMENSIONS, SEE SALES DRAWING FOR CONNECTOR.
- 梱包数量：2500個/リール
NUMBER OF CONNECTORS:2500 PCS/REEL.
- リードテープ長さ
LEAD TAPE LENGTH



- トップテープの剥離強度：(剥離方向は下図参照)
PEELING OFF FORCE OF TOP TAPE (PELLING DIRECTION AS SHOWN IN FOLLOWING FIGURE.)
0. 1~1. 3N (10~130gf)

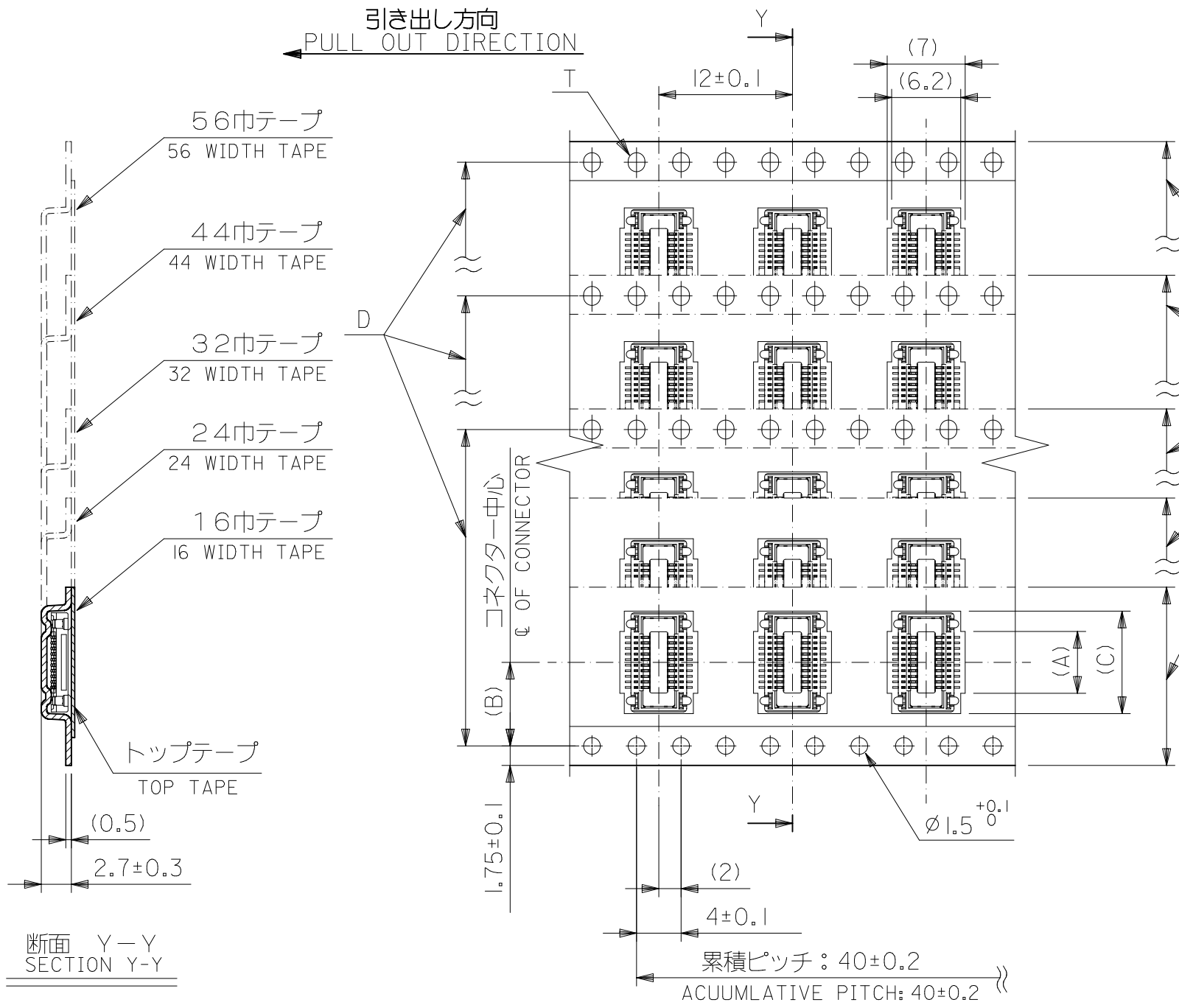
尚、本規格値は、出荷時に適用。
THIS REQUIREMENT SHOULD BE APPLIED AT SHIPMENT.
(但し、輸送時に剥離が発生しない事。)
(PEEL OFF SHOULD NOT BE ALLOWED, DURING TRANSPORTATION.)



- 材料
MATERIAL
キャリアテープ：ポリプロピレン (PP)
CARRIER TAPE: POLYPROPYLENE (PP)
トップテープ：PET, PE, PEF
TOP TAPE: PET, PE, PEF
リール：ポリスチレン
REEL: POLYSTYRENE

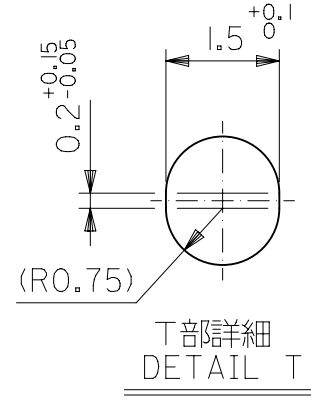
- この製品は54363-***01, (エンボス梱包品 54363-***08) の鉛フリー品です。
THIS PRODUCT IS 'LEAD FREE' OF 54363-***01, (EMBOSSED TAPE PKG 54363-***08)

| | | | | | | | | | | | |
|----------------------|-------------------|---|----------------|---|-------|---|---------------|----------------------------|--|--|--|
| MATERIAL 材料 | 注記参照 SEE NOTES | GENERAL TOLERANCES: (UNLESS SPECIFIED) 一般公差 | | THIS DRAWING CONTAINS INFORMATION THAT IS PROPRIETARY TO MOLEX ELECTRONIC TECHNOLOGIES, LLC AND SHOULD NOT BE USED WITHOUT WRITTEN PERMISSION | | | | | | | |
| | | 10 UNDER 未満 | ±0.2 | DIMENSION UNITS | SCALE | CURRENT REV DESC: OBSOLETE PART NUMBER | | | | | |
| FINISH 仕上げ | 注記参照 SEE NOTES | 10 OVER 以上 | 30 UNDER 未満 | ±0.25 | mm | NTS | EC NO: 618242 | | EMBOSSED TAPE PACKAGE FOR 54363-***71 -LEAD FREE- | | |
| | | 30 OVER 以上 | ±0.3 | GENERAL TOLERANCES (UNLESS SPECIFIED) | | DRWN: AKUMAR19 2019/03/12 | | PRODUCT CUSTOMER DRAWING | | | |
| WIRE RANGE 適用電線範囲 | — # — | ANGLE 角度 | ±3° | 4 PLACES ± | | CHK'D: GGA 2020/02/28 | | PRODUCT CUSTOMER DRAWING | | | |
| INS. RANGE 被覆外径 | — # — | | | 3 PLACES ± | | APPR: GGA 2020/02/28 | | PRODUCT CUSTOMER DRAWING | | | |
| | | | | 2 PLACES ± | | INITIAL REVISION: | | PRODUCT CUSTOMER DRAWING | | | |
| | | | | 1 PLACE ± | | DRWN: AIDA 2004/02/10 | | DOCUMENT NUMBER | | | |
| | | | | 0 PLACES ± | | APPR: JMIYAZAWA 2004/02/10 | | SD-54363-039 | | | |
| | | | | ANGULAR TOL ± ° | | THIRD ANGLE PROJECTION | | DOC TYPE DOC PART REVISION | | | |
| | | | | DRAFT WHERE APPLICABLE MUST REMAIN WITHIN DIMENSIONS | | DRAWING | | PSD 001 B | | | |
| | | | | | | SERIES | | SHEET NUMBER | | | |
| | | | | | | B-SIZE 54363 | | 1 OF 2 | | | |
| | | | | | | MATERIAL NUMBER | | | | | |
| | | | | | | SEE TABLE | | | | | |
| | | | | | | CUSTOMER | | | | | |
| | | | | | | GENERAL MARKET | | | | | |



| | | | | | | | | |
|------|-------------------------------------|------|------|------|-------|----------------------|----------------|-------------------|
| 57.5 | 56±0.3 | 52.4 | 44.2 | 26.2 | 40.55 | 54363-1678 | 160 | — |
| 45.5 | 44±0.3 | 40.4 | 39.2 | 20.2 | 35.55 | 54363-1478 | 140 | ○ |
| | | | 34.2 | | 30.55 | 54363-1278 | 120 | ○ |
| | | | 31.7 | | 28.05 | 54363-1178 | 110 | ○ |
| 33.5 | 32±0.3 | 28.4 | 29.2 | 14.2 | 25.55 | 54363-1078 | 100 | ○ |
| | | | 26.7 | | 23.05 | 54363-0978 | 90 | — |
| | | | 24.2 | | 20.55 | 54363-0878 | 80 | ○ |
| 25.5 | 24±0.3 | # | 16.7 | 11.5 | 13.05 | 54363-0578 | 50 | ○ |
| | | | 14.2 | | 10.55 | 54363-0478 | 40 | ○ |
| 17.5 | 16±0.3 | # | 9.2 | 7.5 | 5.55 | 54363-0278 | 20 | ○ |
| F | E キャリアテープ幅 CARRIER TAPE WIDTH | D | (C) | (B) | (A) | 製品番号 MATERIAL NO. | 極数 CIRCUITS | 量産対応 AVAILABLE |

断面 Y-Y
SECTION Y-Y



| | | | | |
|----------------------|-------|---|----------------|-------|
| MATERIAL 材料 | — # — | GENERAL TOLERANCES: (UNLESS SPECIFIED) 一般公差 | 10 UNDER 未満 | ±0.2 |
| FINISH 仕上げ | — # — | 10 OVER 以上 | 30 UNDER 未満 | ±0.25 |
| | | 30 OVER 以上 | | ±0.3 |
| WIRE RANGE 適用電線範囲 | — # — | ANGLE 角度 | | ±3° |
| INS. RANGE 被覆外径 | — # — | | | |

THIS DRAWING CONTAINS INFORMATION THAT IS PROPRIETARY TO MOLEX ELECTRONIC TECHNOLOGIES, LLC AND SHOULD NOT BE USED WITHOUT WRITTEN PERMISSION

| | | | | | |
|--|---------------------|--|---|--|--|
| DIMENSION UNITS mm | SCALE NTS | CURRENT REV DESC: OBSOLETE PART NUMBER | molex | | |
| GENERAL TOLERANCES (UNLESS SPECIFIED) | | EC NO: 618242 | EMBOSSSED TAPE PACKAGE FOR 54363-**71 -LEAD FREE- | | |
| 4 PLACES ± | ± | DRWN: AKUMAR19 | PRODUCT CUSTOMER DRAWING | | |
| 3 PLACES ± | ± | 2019/03/12 | DOCUMENT NUMBER | | |
| 2 PLACES ± | ± | CHK'D: GGA | SD-54363-039 | | |
| 1 PLACE ± | ± | 2020/02/28 | DOC TYPE DOC PART REVISION | | |
| 0 PLACES ± | ± | APPR: GGA | PSD 001 B | | |
| ANGULAR TOL ± ° | ± ° | 2020/02/28 | MATERIAL NUMBER CUSTOMER SHEET NUMBER | | |
| DRAFT WHERE APPLICABLE MUST REMAIN WITHIN DIMENSIONS | | INITIAL REVISION: DRWN: AIDA APPR: JMIYAZAWA | SEE TABLE GENERAL MARKET 2 OF 2 | | |
| THIRD ANGLE PROJECTION | | DRAWING SERIES B-SIZE 54363 | | | |