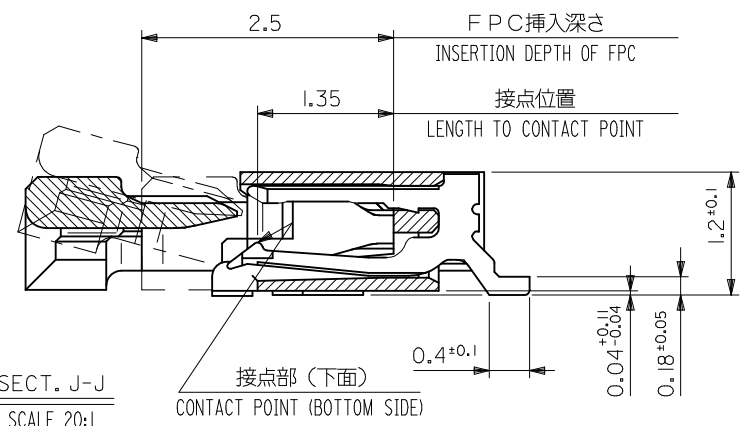
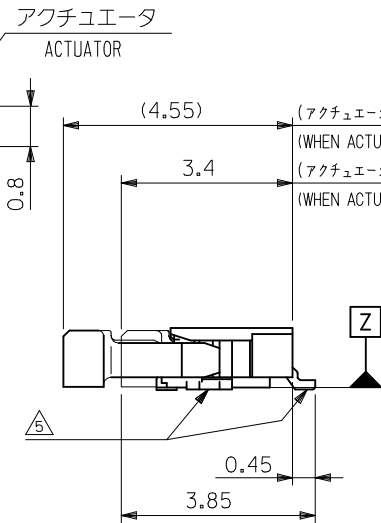


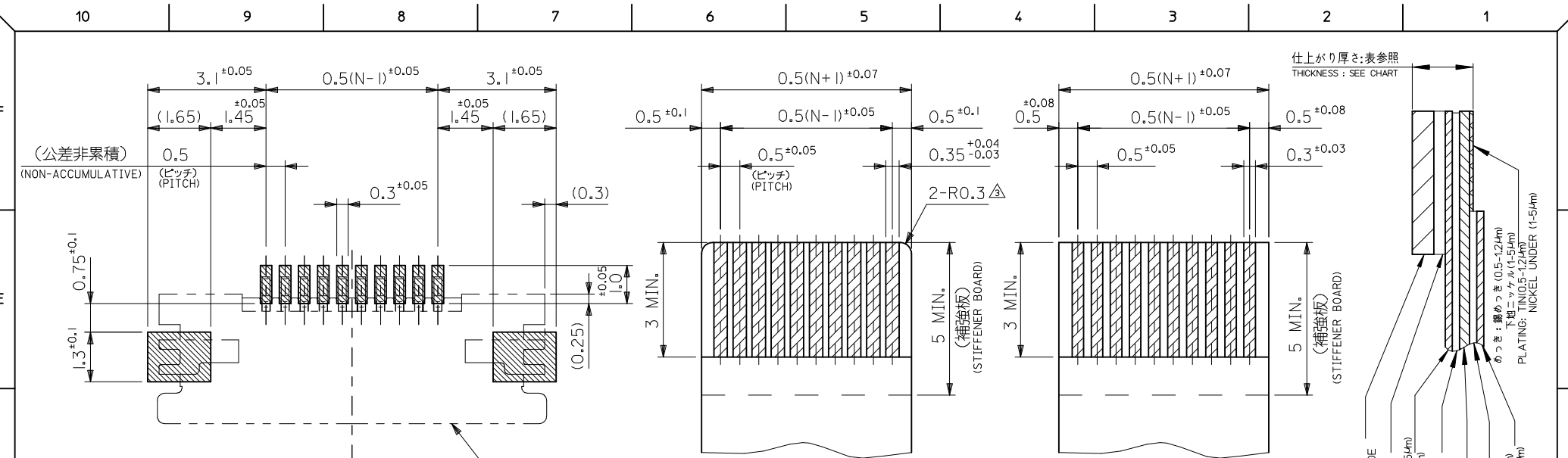
VIEW H



SECT. J-J
SCALE 20:1

0.28 ±0.03	13.65	17	12.5	18.2	54548-2633	54548-2622	26
	12.65	16	11.5	17.2	54548-2433	54548-2422	24
	11.65	15	10.5	16.2	54548-2233	54548-2222	22
	11.15	14.5	10	15.7	54548-2133	54548-2122	21
	10.65	14	9.5	15.2	54548-2033	54548-2022	20
	10.15	13.5	9	14.7	54548-1933	54548-1922	19
	9.65	13	8.5	14.2	54548-1833	54548-1822	18
	9.15	12.5	8	13.7	54548-1733	54548-1722	17
	8.65	12	7.5	13.2	54548-1633	54548-1622	16
	8.15	11.5	7	12.7	54548-1533	54548-1522	15
	7.65	11	6.5	12.2	54548-1433	54548-1422	14
0.3 ±0.03	7.15	10.5	6	11.7	54548-1333	54548-1322	13
	6.65	10	5.5	11.2	54548-1233	54548-1222	12
	6.15	9.5	5	10.7	54548-1133	54548-1122	11
	5.65	9	4.5	10.2	54548-1033	54548-1022	10
	5.15	8.5	4	9.7	54548-0933	54548-0922	9
	4.65	8	3.5	9.2	54548-0833	54548-0822	8
	4.15	7.5	3	8.7	54548-0733	54548-0722	7
	3.65	7	2.5	8.2	54548-0633	54548-0622	6
	3.15	6.5	2	7.7	54548-0533	54548-0522	5
	2.65	6.0	1.5	7.2	54548-0433	54548-0422	4
	THICKNESS OF FPC	D	C	B	A	EMBOSSED TAPE ORDER No. オータ番号	製品番号 MATERIAL No.

RELEASED EC NO: J2014-0734 DRWN: JASANUMA 2013/12/04 CHKD: KTAKAHASHI 2013/12/04 APPR: YNOGAWA 2014/01/10	GENERAL TOLERANCES (UNLESS SPECIFIED)		DIMENSION STYLE MM ONLY		SCALE 10:1		DESIGN UNITS METRIC		MODEL NO. 54548-**22	
	10 UNDER	±0.2	DRAWN BY JASANUMA	DATE 2013/12/04	TITLE 0.5 FPC CONN ZIF HSG ASSY FOR SMT RA BTM CONT					
	10 OVER 30 UNDER	±0.25	CHECKED BY KTAKAHASHI	DATE 2013/12/04						
	30 OVER	±0.3	APPROVED BY YNOGAWA	DATE 2014/01/10						
	ANGULAR	±3 °	MATERIAL NO. SEE CHART		DOCUMENT NO. SD-54548-043		SHEET NO. 1 OF 2			
DRAFT WHERE APPLICABLE MUST REMAIN WITHIN DIMENSIONS		THIS DRAWING CONTAINS INFORMATION THAT IS PROPRIETARY TO MOLEX INCORPORATED AND SHOULD NOT BE USED WITHOUT WRITTEN PERMISSION								



参考基板レイアウト
RECOMMENDED P.C.B. BOARD
PATTERN DIMENSION (REF.)
(マウント面)
(MOUNTING SIDE)

コネクタ位置
CONNECTOR POSITION

適合FPC推奨寸法
APPLICABLE FPC
RECOMMENDED DIMENSION
(仕上がり厚さ:表参照)
(THICKNESS:SEE CHART)

適合FFC推奨寸法
APPLICABLE FFC
RECOMMENDED DIMENSION
(仕上がり厚さ:表参照)
(THICKNESS:SEE CHART)

FPC構成推奨仕様
STRUCTURE OF FPC
補強板:ポリイミド
REINFORCE BOARD: POLYIMIDE
熱硬化接着剤
THERMOSETTING ADHESIVE
ベースフィルム:ポリイミド(25µm)
BASE FILM: POLYIMIDE(25µm)
銅箔(35µm)
COPPER FOL (35µm)
銅箔(35µm)
THERMOSETTING ADHESIVE
ポリイミド(25µm)
POLYIMIDE(25µm)
めっき:銀(0.5-1.2µm)
下層:ニッケル(1.5µm)
PLATING: NICKEL UNDER (1-1.5µm)

注記 NOTES

1. 使用材料 MATERIAL

- ハウジング : 液晶ホリマー (LCP)、ナチュラル(白色)、ガラス充填、UL94V-0
- HOUSING LIQUID CRYSTAL POLYMER, NATURAL(WHITE), GLASS FILLED, UL-94V0
- アクチュエータ : ポリフェニレンサルファイド(PPS)、黒色、ガラス充填、UL94V-0
- ACTUATOR POLYPHENYLENE SULFIDE, BLACK, GLASS FILLED, UL-94V0
- ターミナル : リン青銅 (t=0.2)
- TERMINAL PHOSPHOR BRONZE (t=0.2)
- 金具 : リン青銅 (t=0.2)
- FITTING NAIL PHOSPHOR BRONZE (t=0.2)

- △ソルダーテール半田付け面のスレ量、及び金具半田付け面のスレ量は、基準面 Z に対し上方向 OMAX.、下方向 O.15MAX.とし、相互のパラッキ量はO.1MAX.とする。
- MISALIGNMENT OF SOLDER TAILS AND FITTING NAILS FROM Z UPPER DIRECTION: 0 MAX., LOWER DIRECTION: 0.15 MAX. OFFSET BETWEEN UPPER AND LOWER 0.1MAX.
- △偶数種に適用。APPLY FOR EVEN CIRCUIT.
- △パターンはくり止め用金具 FITTING NAIL FOR PREVENTION OF PEELING OF P.C.B. PATTERN.

- FPC/FFCについて ABOUT FPC/FFC
打ち抜き方向は導体側から補強板側を推奨します。
導体部については銅箔35µmまたは50µmを推奨します。
RECOMMENDED PUNCHING DIRECTION: FROM CONDUCTOR SIDE TO STIFFENER SIDE
RECOMMENDED CONDUCTOR SPEC: SOFT COPPER FOIL
RECOMMENDED CONDUCTOR THICKNESS: 35 MICROMETER OR 50 MICROMETER
- FPCについて ABOUT FPC
補強フィルム材質はポリイミドを推奨します。ベースフィルムは25µmを推奨します。
接着剤は熱硬化接着剤を推奨します。
尚、接着剤の接点部への付着は導通不良の原因になりますので、染み出しが無い様、お願い致します。
RECOMMENDED STIFFENER MATERIAL: POLYIMIDE
RECOMMENDED BASE FILM THICKNESS: 25 MICROMETER
RECOMMENDED ADHESIVE: THERMOSETTING ADHESIVE
NOTE: PLEASE PUT APPROPRIATE AMOUNT OF ADHESIVE ON ADHEREND BECAUSE THERE IS A POSSIBILITY THAT THE EXTRA ADHESIVE CAUSES THE DEFECT IN ELECTRICAL CONTINUITY.

- 2. めっき仕様 PLATING
ターミナル TERMINAL
鍍銀ビスマスメッキ(1.0µm以上)
下地:ニッケルメッキ(1.0µm以上)
TIN SILVER BISMUTH PLATING (1.0 MICROMETER MINIMUM)
UNDER PLATE : NICKEL PLATING (1.0 MICROMETER MINIMUM)
- 金具 FITTING NAIL
鍍メッキ(1.0µm以上)
下地:ニッケルメッキ(1.0µm以上)
TIN PLATING
TIN PLATING (1.0 MICROMETER MINIMUM)
UNDER PLATE : NICKEL PLATING (1.0 MICROMETER MINIMUM)

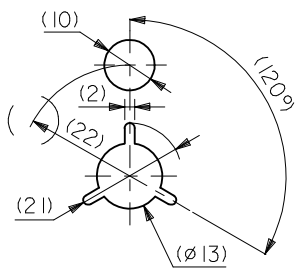
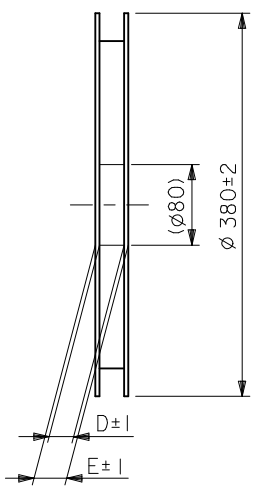
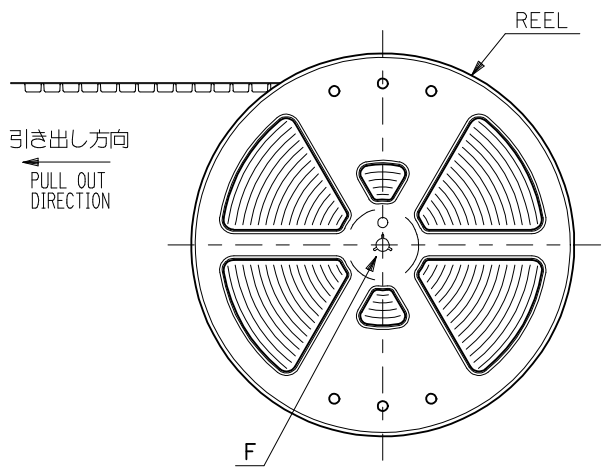
- △R0.3はFPCの導体部にかからないこと
R0.3 MUST NOT BE OVERLAPED TO PATTERN OF FPC.
- 4. エンボステープ梱包時は、アクチュエータがロックした状態とする。
IN THE PACKAGE, ACTUATOR OF PART NO.54548-**22 SHOULD BE LOCKED.

- 8. ELV及びRoHS適合品
ELV AND ROHS COMPLIANT

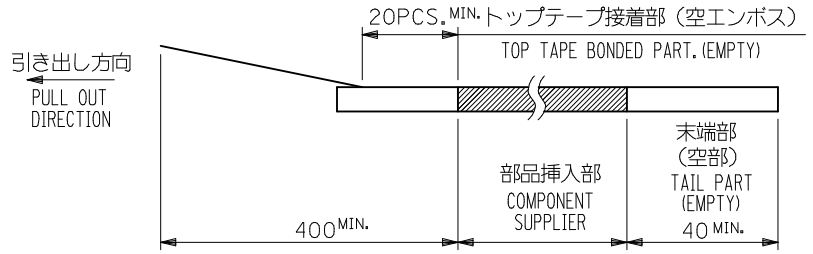
RELEASED EC NO: J2014-0734 DRWN: JASANUMA 2013/12/04 CHKD: KAKAHASHI 2013/12/04 APPR: YNOGAWA 2014/01/10	DESCRIPTION	GENERAL TOLERANCES (UNLESS SPECIFIED)		DIMENSION STYLE MM ONLY		SCALE ---	54548-**22	MODEL No.	
		10 UNDER	±0.2	DRAWN BY JASANUMA	DATE 2013/12/04	TITLE	0.5 FPC CONN ZIF HSG ASSY FOR SMT RA BTM CONT		
		10 OVER 30 UNDER	±0.25	CHECKED BY KAKAHASHI	DATE 2013/12/04				
		30 OVER	±0.3	APPROVED BY YNOGAWA	DATE 2014/01/10				
0	REV	ANGULAR ±3 °	DRAFT WHERE APPLICABLE MUST REMAIN WITHIN DIMENSIONS	MATERIAL NO. SEE SHEET 1	DOCUMENT NO. SD-54548-043	SHEET NO. 2 OF 2			
THIS DRAWING CONTAINS INFORMATION THAT IS PROPRIETARY TO MOLEX INCORPORATED AND SHOULD NOT BE USED WITHOUT WRITTEN PERMISSION									

NOTES

- 製品詳細寸法については図面 SD-54548-043 を参照下さい。
RE DETAILED DIMENSION, SEE SD-54548-043
- 梱包数量：3000個/リール
NUMBER OF CONNECTORS : 3000PCS/REEL
- リードテープ長さ LEAD TAPE LENGTH



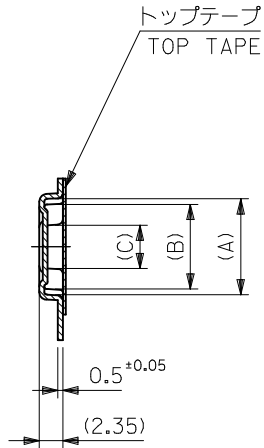
DETAIL F



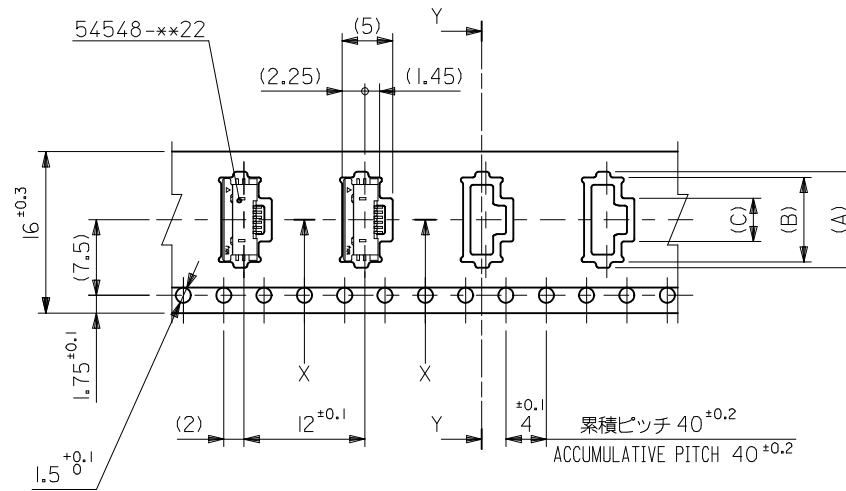
- カバーテープの剥離強度については、IEC60286-3に準拠。
COVER TAPE PEEL FORCE IS DEFINED BY IEC60286-3.
- 材料 (MATERIAL)
キャリアテープ (CARRIER TAPE) : ポリプロピレン (POLYPROPYLENE)
トップテープ (TOPTAPE) : PET, PE, PEF
リール (REEL) : ポリスチレン (P.S) <リサイクル材を含む>
POLYSTYREN (PS) <RECYCLE MATERIAL CONTAINED>
- ELV及びRoHS適合品。
ELV AND RoHS COMPLIANT.

RELEASED EC NO: J2014-0734 DRWN: JASANUMA 2013/12/04 CHKD: TAKAHASHI 2013/12/04 APPR: YNOGAWA 2014/01/10	DESCRIPTION REV: 0	GENERAL TOLERANCES (UNLESS SPECIFIED)		DIMENSION STYLE MM ONLY		54548-**33		MODEL NO.		
		10 UNDER ±0.2		DRAWN BY JASANUMA DATE 2013/12/04		SCALE ---	DESIGN UNITS METRIC	THIRD ANGLE PROJECTION TITLE EMBSTP PKG FOR 0.5 FPC CONN ZIF HSG ASSY		
		10 OVER 30 UNDER ±0.25		CHECKED BY KTAKAHASHI DATE 2013/12/04		MATERIAL NO. SEE CHART				
		30 OVER ±0.3		APPROVED BY YNOGAWA DATE 2014/01/10		SIZE A3		THIS DRAWING CONTAINS INFORMATION THAT IS PROPRIETARY TO MOLEX INCORPORATED AND SHOULD NOT BE USED WITHOUT WRITTEN PERMISSION		
ANGULAR ±3 °		DRAFT WHERE APPLICABLE MUST REMAIN WITHIN DIMENSIONS								

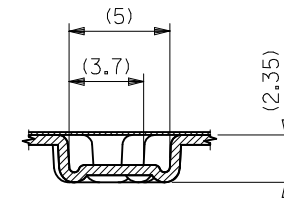
引き出し方向
PULL OUT DIRECTION



SECT. Y-Y



16mm幅キャリアテープ
16mm WIDTH CARRIER TAPE

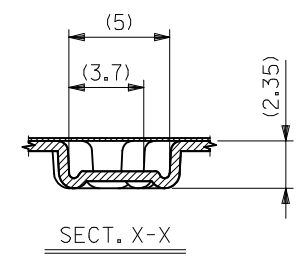
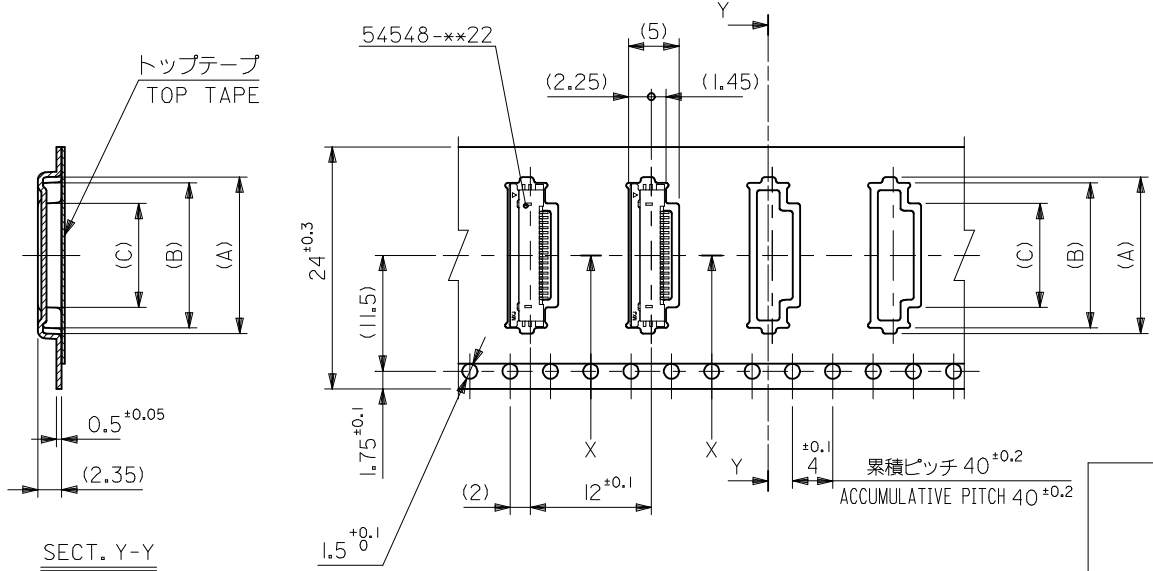


SECT. X-X

16	21.4	17.4	4.3	8.4	9.5	54548-0633	6	
			3.8	7.9	9	54548-0533	5	
			3.3	7.4	8.5	54548-0433	4	
キャリアテープ幅 CARRIER TAPE WIDTH		E	D	(C)	(B)	(A)	製品番号 MATERIAL No.	極数 CIRCUIT

RELEASED EC NO: J2014-0734 DRWN: JASANUMA 2013/12/04 CHKD: KTAKAHASHI 2013/12/04 APPR: YNOGAWA 2014/01/10	DESCRIPTION REV: 0	GENERAL TOLERANCES (UNLESS SPECIFIED)		DIMENSION STYLE MM ONLY		54548-**-33		MODEL NO.	
		10 UNDER ± 0.2		DRAWN BY DATE JASANUMA 2013/12/04		SCALE 2:1		DESIGN UNITS METRIC	
		10 OVER 30 UNDER ± 0.25		CHECKED BY DATE KTAKAHASHI 2013/12/04		TITLE		THIRD ANGLE PROJECTION	
		30 OVER ± 0.3		APPROVED BY DATE YNOGAWA 2014/01/10		EMBSTP PKG FOR 0.5 FPC CONN ZIF HSG ASSY		DOCUMENT NO.	
ANGULAR ± 3 °		DRAFT WHERE APPLICABLE MUST REMAIN WITHIN DIMENSIONS		MATERIAL NO. SEE CHART		SD-54548-044		SHEET NO. 2 OF 4	
				SIZE A3		THIS DRAWING CONTAINS INFORMATION THAT IS PROPRIETARY TO MOLEX INCORPORATED AND SHOULD NOT BE USED WITHOUT WRITTEN PERMISSION			

引き出し方向
PULL OUT DIRECTION



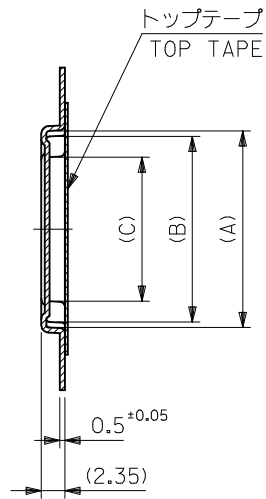
SECT. Y-Y

24mm幅キャリアテープ
24mm WIDTH CARRIER TAPE

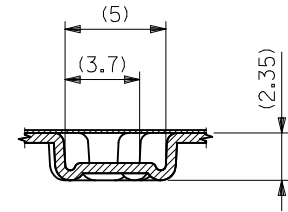
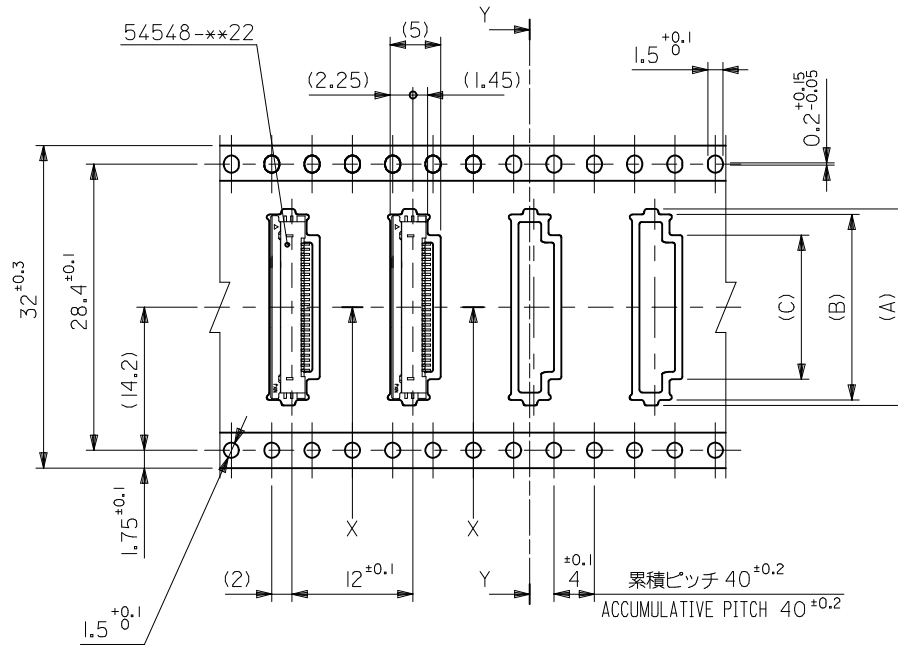
24	29.4	25.4	12.3	16.4	17.5	54548-2233	22		
			11.8	15.9	17	54548-2133	21		
			11.3	15.4	16.5	54548-2033	20		
			10.8	14.9	16	54548-1933	19		
			10.3	14.4	15.5	54548-1833	18		
			9.8	13.9	15	54548-1733	17		
			9.3	13.4	14.5	54548-1633	16		
			8.8	12.9	14	54548-1533	15		
			8.3	12.4	13.5	54548-1433	14		
			7.8	11.9	13	54548-1333	13		
			7.3	11.4	12.5	54548-1233	12		
			6.8	10.9	12	54548-1133	11		
			6.3	10.4	11.5	54548-1033	10		
5.8	9.9	11	54548-0933	9					
5.3	9.4	10.5	54548-0833	8					
4.8	8.9	10	54548-0733	7					
キャリアテープ幅 CARRIER TAPE WIDTH			E	D	(C)	(B)	(A)	製品番号 MATERIAL No.	極数 CIRCUIT

RELEASED EC NO: J2014-0734 DRWN: JASANUMA 2013/12/04 CHKD: TAKAHASHI 2013/12/04 APPR: YNOGAWA 2014/01/10	GENERAL TOLERANCES (UNLESS SPECIFIED)		DIMENSION STYLE MM ONLY		SCALE 2:1	DESIGN UNITS METRIC	MODEL NO. 54548-***33	
	10 UNDER	±0.2	DRAWN BY JASANUMA	DATE 2013/12/04	TITLE EMBSTP PKG FOR 0.5 FPC CONN ZIF HSG ASSY			
	10 OVER 30 UNDER	±0.25	CHECKED BY KTAKAHASHI	DATE 2013/12/04				
	30 OVER	±0.3	APPROVED BY YNOGAWA	DATE 2014/01/10	③ THIRD ANGLE PROJECTION molex DOCUMENT NO. SD-54548-044 SHEET NO. 3 OF 4			
ANGULAR ±3 °		MATERIAL NO. SEE CHART						
DRAFT WHERE APPLICABLE MUST REMAIN WITHIN DIMENSIONS		SIZE A3		THIS DRAWING CONTAINS INFORMATION THAT IS PROPRIETARY TO MOLEX INCORPORATED AND SHOULD NOT BE USED WITHOUT WRITTEN PERMISSION				

引き出し方向
PULL OUT DIRECTION



SECT. Y-Y



SECT. X-X

32mm幅キャリアテープ
32mm WIDTH CARRIER TAPE

32	37.4	33.4	14.3	18.4	19.5	54548-2633	26
			13.3	17.4	18.5	54548-2433	24
キャリアテープ幅 CARRIER TAPE WIDTH	E	D	(C)	(B)	(A)	製品番号 MATERIAL No.	極数 CIRCUIT

RELEASED EC NO: J2014-0734 DRWN: JASANUMA 2013/12/04 CHKD: KTAKAHASHI 2013/12/04 APPR: YNOGAWA 2014/01/10	GENERAL TOLERANCES (UNLESS SPECIFIED)		DIMENSION STYLE MM ONLY		SCALE 2:1	DESIGN UNITS METRIC	MODEL NO. 54548-xx33	THIRD ANGLE PROJECTION
	10 UNDER	±0.2	DRAWN BY JASANUMA	DATE 2013/12/04	TITLE EMBSTP PKG FOR 0.5 FPC CONN ZIF HSG ASSY			
	10 OVER 30 UNDER	±0.25	CHECKED BY KTAKAHASHI	DATE 2013/12/04				
	30 OVER	±0.3	APPROVED BY YNOGAWA	DATE 2014/01/10				
ANGULAR ±3 °		MATERIAL NO. SEE CHART		DOCUMENT NO. SD-54548-044	SHEET NO. 4 OF 4			
DRAFT WHERE APPLICABLE MUST REMAIN WITHIN DIMENSIONS		THIS DRAWING CONTAINS INFORMATION THAT IS PROPRIETARY TO MOLEX INCORPORATED AND SHOULD NOT BE USED WITHOUT WRITTEN PERMISSION						