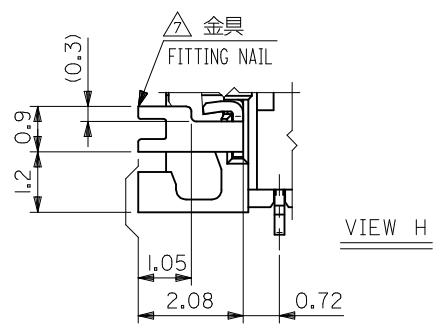


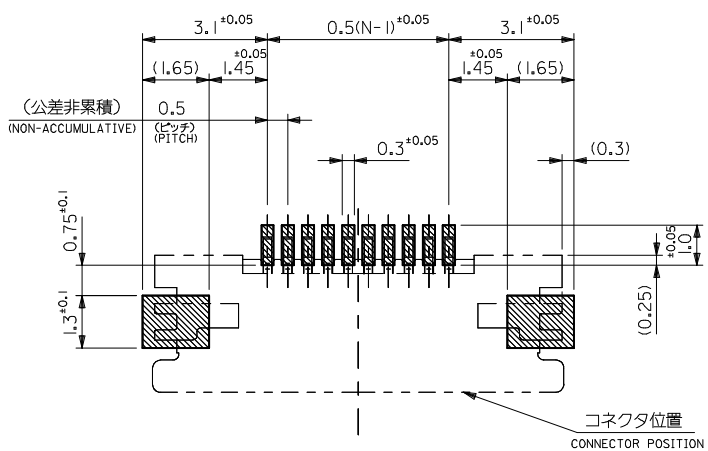
SECT. J-J  
 SCALE 20:1

0.28 $\pm 0.03$	13.65	17	12.5	18.2	54550-2633	26	
	12.65	16	11.5	17.2	54550-2433	24	
	11.65	15	10.5	16.2	54550-2233	22	
	11.15	14.5	10	15.7	54550-2133	21	
	10.65	14	9.5	15.2	54550-2033	20	
	10.15	13.5	9	14.7	54550-1933	19	
	9.65	13	8.5	14.2	54550-1833	18	
	9.15	12.5	8	13.7	54550-1733	17	
	8.65	12	7.5	13.2	54550-1633	16	
	8.15	11.5	7	12.7	54550-1533	15	
	0.3 $\pm 0.03$	7.65	11	6.5	12.2	54550-1433	14
		7.15	10.5	6	11.7	54550-1333	13
		6.65	10	5.5	11.2	54550-1233	12
		6.15	9.5	5	10.7	54550-1133	11
		5.65	9	4.5	10.2	54550-1033	10
5.15		8.5	4	9.7	54550-0933	9	
4.65	8	3.5	9.2	54550-0833	8		
4.15	7.5	3	8.7	54550-0733	7		
3.65	7	2.5	8.2	54550-0633	6		
3.15	6.5	2	7.7	54550-0533	5		
2.65	6.0	1.5	7.2	54550-0433	4		

THICKNESS OF FPC  
 D C B A  
 EMBOSSED TAPE 種数  
 ORDER No. オ-ダ-番 明 Ck†  
 CONNECTOR SERIES NO. : 54550-\*\*22

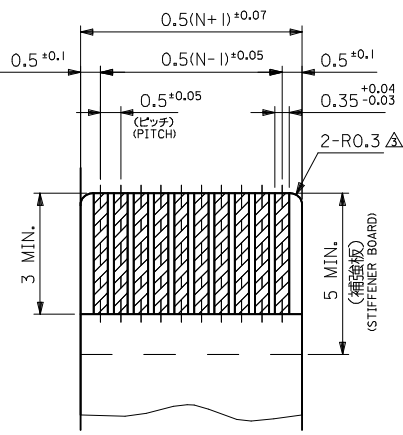


REVISED IEC NO: J2013-1168 DRW: N. SANUMA 2013/04/15 CHK: D. TAKAHASHI 2013/04/16 APPR: K. MORIKAWA 2013/04/25	DESCRIPTION GENERAL TOLERANCES (UNLESS SPECIFIED) 10 UNDER $\pm 0.2$ 10 OVER 30 UNDER $\pm 0.25$ 30 OVER $\pm 0.3$ ANGULAR $\pm 3^\circ$ DRAFT WHERE APPLICABLE MUST REMAIN WITHIN DIMENSIONS	DIMENSION STYLE MM ONLY	SCALE ---	DESIGN UNITS METRIC	THIRD ANGLE PROJECTION		
		DRAWN BY NKONDO	DATE 2012/09/13	TITLE 0.5MM FPC CONN ZIF R/A HOUSING ASSY (UPPER CONTACT)			
		CHECKED BY KTAKAHASHI	DATE 2012/09/13	<b>molex</b>			
		APPROVED BY KMORIKAWA	DATE 2013/03/15	MATERIAL NO. SEE CHART	DOCUMENT NO. SD-54550-075	SHEET NO. 1 OF 2	
REV A	SIZE A3	THIS DRAWING CONTAINS INFORMATION THAT IS PROPRIETARY TO MOLEX INCORPORATED AND SHOULD NOT BE USED WITHOUT WRITTEN PERMISSION					

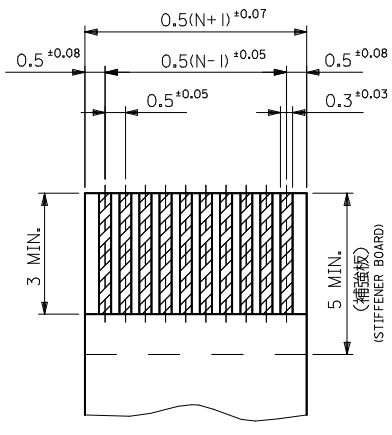


推奨基板レイアウト  
RECOMMENDED P.C.B. BOARD  
PATTERN DIMENSION  
(マウント面)  
(MOUNTING SIDE)

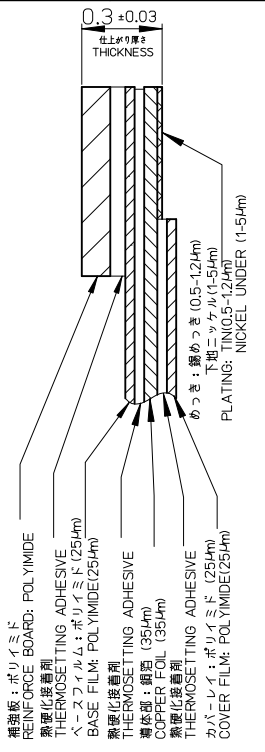
マスク厚 : 100 μm  
マスク開口率 : 100%  
SCREEN THICKNESS : 100 μm  
SCREEN OPEN TATIO : 100%



適合FPC推奨寸法  
APPLICABLE FPC  
RECOMMENDED DIMENSION  
(仕上がり厚さ:表参照)  
(THICKNESS:SEE CHART)



適合FFC推奨寸法  
APPLICABLE FFC  
RECOMMENDED DIMENSION  
(仕上がり厚さ:表参照)  
(THICKNESS:SEE CHART)



FPC構成推奨仕様  
STRUCTURE OF FPC

注記 NOTES

1. 使用材料 MATERIAL
- ハウジング : 液晶ホリマー (LCP)、ナチュラル(白色)、ガラス充填、UL94V-0  
LIQUID CRYSTAL POLYMER, NATURAL(WHITE), GLASS FILLED, UL-94V0
- アクチュエータ : ホリフェニレンサルファイド(PPS)、ナチュラル(茶色)ガラス充填、UL94V-0  
POLYPHENYLENE SULFIDE, NATURAL(BROWN), GLASS FILLED, UL-94V0
- ターミナル : リン青銅 (t=0.2)  
TERMINAL PHOSPHOR BRONZE (t=0.2)
- 金具 : リン青銅 (t=0.2)、FITTING NAIL PHOSPHOR BRONZE (t=0.2)
2. めっき仕様 PLATING  
ターミナル TERMINAL  
銅銀ビスマメッキ(1.0 μm以上)  
下地:ニッケルメッキ(1.0 μm以上)  
TIN SILVER BISMUTH PLATING (1.0 MICROMETER MINIMUM)  
UNDER PLATE : NICKEL PLATING (1.0 MICROMETER MINIMUM)
- 金具 FITTING NAIL  
銅メッキ(1.0 μm以上)  
下地:ニッケルメッキ(1.0 μm以上)  
TIN PLATING  
TIN PLATING (1.0 MICROMETER MINIMUM)  
UNDER PLATE : NICKEL PLATING (1.0 MICROMETER MINIMUM)
3. RO.3はFPCの導体部にかからないこと  
RO.3 MUST NOT BE OVERLAPED TO PATTERN OF FPC.
4. エンボステープ梱包時は、アクチュエータがロックした状態とする。  
IN THE PACKAGE,ACTUATOR OF PART NO.54550-\*\*-22 SHOULD BE LOCKED.
- △ソルダーテール半田付け面のズレ量、及び金具半田付け面のズレ量は、基準面 Z に対し上方向 OMAX.、下方向 O.15MAX.とし相互のバラツキ量はO.1MAX.とする。  
MISALIGNMENT OF SOLDER TAILS AND FITTING NAILS FROM UPPER DIRECTION: 0 MAX., LOWER DIRECTION: 0.15 MAX. OFFSET BETWEEN UPPER AND LOWER 0.1 MAX.
- △偶数種に適用。  
APPLY FOR EVEN CIRCUIT.
- △パターンはくり止め用金具 FITTING NAIL FOR PREVENTION OF PEELING OF P.C.B. PATTERN.
8. ELV及びRoHS適合品  
ELV AND RoHS COMPLIANT

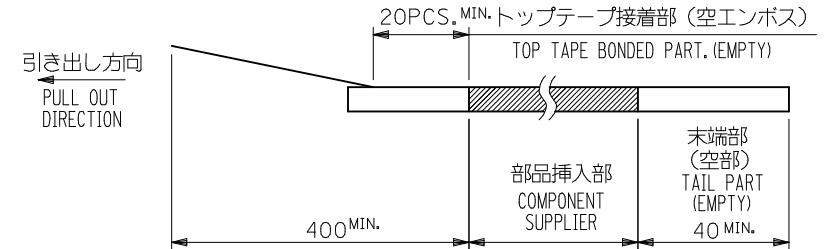
FPC/FFCについて ABOUT FPC/FFC  
打ち抜き方向は導体側から補強板側を推奨します。  
導体部については軌跡銅35 μmまたは50 μmを推奨します。  
RECOMMENDED PUNCHING DIRECTION: FROM CONDUCTOR SIDE TO STIFFENER SIDE  
RECOMMENDED CONDUCTOR SPEC: SOFT COPPER FOIL  
RECOMMENDED CONDUCTOR THICKNESS: 35 MICROMETER OR 50 MICROMETER

FPCについて ABOUT FPC  
補強フィルム材質はポリイミドを推奨します。ベースフィルムは25 μmを推奨します。  
接着剤は熱硬化接着剤を推奨します。  
尚、接着剤の接点部への付着は導通不良の原因になりますので、染み出しが無い様、お願い致します。  
RECOMMENDED STIFFENER MATERIAL: POLYIMIDE  
RECOMMENDED BASE FILM THICKNESS: 25 MICROMETER  
RECOMMENDED ADHESIVE: THERMOSETTING ADHESIVE  
NOTE: PLEASE PUT APPROPRIATE AMOUNT OF ADHESIVE ON ADHEREND BECAUSE THERE IS A POSSIBILITY THAT THE EXTRA ADHESIVE CAUSES THE DEFECT IN ELECTRICAL CONTINUITY.

REVISED EC NO: J2013-1168 DRWN: NKONDO 2013/03/15 CHKD: KTAKAHASHI 2013/04/16 APPR: KMORIKAWA 2013/04/25	DESCRIPTION	GENERAL TOLERANCES (UNLESS SPECIFIED)		DIMENSION STYLE MM ONLY		SCALE ---		54550-**-22 MODEL NO.	
		10 UNDER	±0.2	DRAWN BY	DATE	TITLE			
		10 OVER 30 UNDER	±0.25	CHECKED BY	DATE	0.5MM FPC CONN ZIF R/A HOUSING ASSY (UPPER CONTACT)			
		30 OVER	±0.3	APPROVED BY	DATE	molex			
A	REV	ANGULAR	±3 °	MATERIAL NO.	DATE	DOCUMENT NO.		SHEET NO.	
		DRAFT WHERE APPLICABLE MUST REMAIN WITHIN DIMENSIONS		SEE CHART		SD-54550-075		2 OF 2	
THIS DRAWING CONTAINS INFORMATION THAT IS PROPRIETARY TO MOLEX INCORPORATED AND SHOULD NOT BE USED WITHOUT WRITTEN PERMISSION									

NOTES

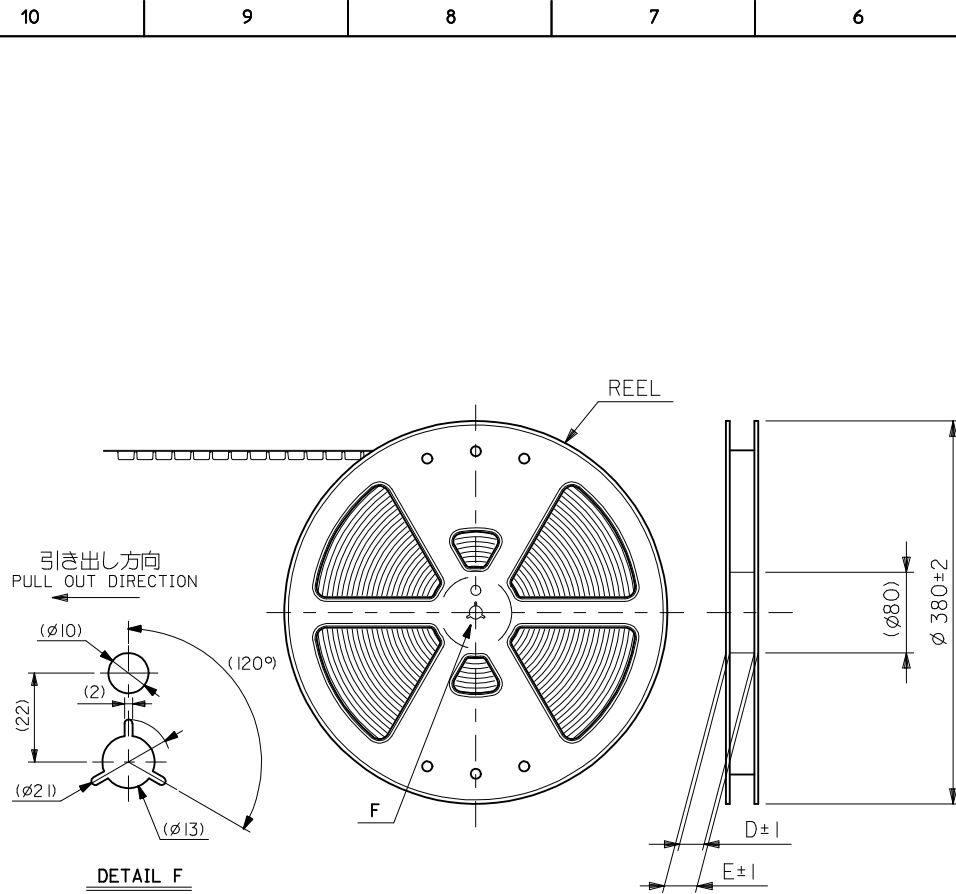
- 製品詳細寸法については図面 54550-\*\*22 を参照下さい。  
RE DETAILED DIMENSION, SEE 54550-\*\*22
- 梱包数量：3000個/リール  
NUMBER OF CONNECTORS : 3000PCS/REEL
- リードテープ長さ LEAD TAPE LENGTH



- カバートープの剥離強度については、IEC60286-3に準拠  
Cover tape peel force is defined by IEC60286-3.

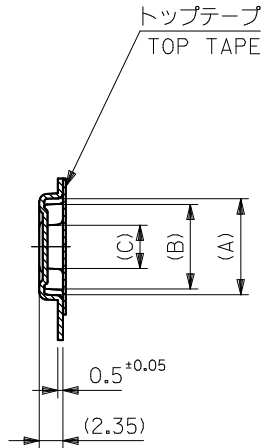
- 材料 (MATERIAL)  
キャリアテープ (CARRIER TAPE) : ポリプロピレン (POLYPROPYLENE)  
トップテープ (TOPTAPE) : PET, PE, PEF  
リール (REEL) : ポリスチレン (PS) <リサイクル材を含む>  
POLYSTYRENE (PS) <RECYCLE MATERIAL CONTAINED>

- ELV及びRoHS適合品  
ELV AND RoHS COMPLIANT

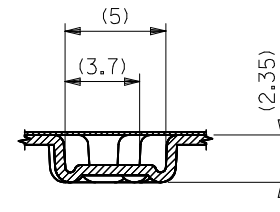
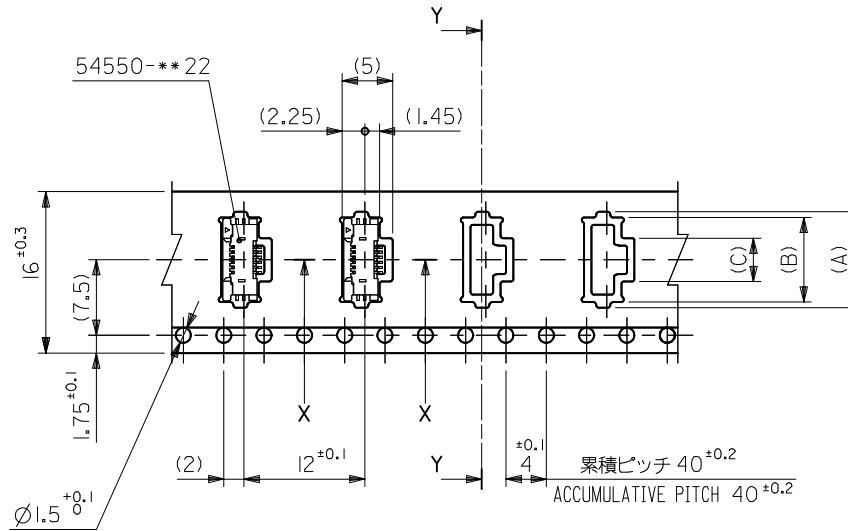


RELEASED EC NO.: J2013-1014 DRWN: NKONDO 2012/09/13 CHKD: KTAKAHASHI 2012/09/13 APPR: KMORIKAWA 2013/03/15	DESCRIPTION REV: 0	GENERAL TOLERANCES (UNLESS SPECIFIED)		DIMENSION STYLE MM ONLY		SCALE ---	54550-**33	MODEL No.	
		10 UNDER $\pm 0.2$		DRAWN BY NKONDO DATE 2012/09/13		TITLE	EMBOSS TAPE PACKAGED FOR 0.5MM FPC CONN ZIF R/A HOUSING ASSY		
		10 OVER 30 UNDER $\pm 0.25$		CHECKED BY KTAKAHASHI DATE 2012/09/13					
		30 OVER $\pm 0.3$		APPROVED BY KMORIKAWA DATE 2013/03/15					
ANGULAR $\pm 3^\circ$		DRAFT WHERE APPLICABLE MUST REMAIN WITHIN DIMENSIONS		MATERIAL NO. SEE CHART		DOCUMENT NO. SD-54550-076	SHEET NO. 1 OF 4		
				SIZE A3		THIS DRAWING CONTAINS INFORMATION THAT IS PROPRIETARY TO MOLEX INCORPORATED AND SHOULD NOT BE USED WITHOUT WRITTEN PERMISSION			

引き出し方向  
PULL OUT DIRECTION



SECT. Y-Y



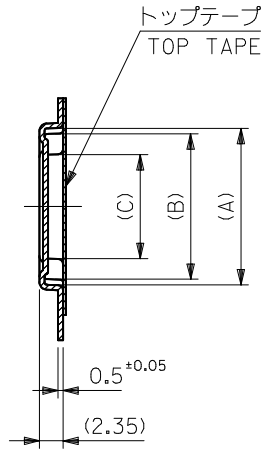
SECT. X-X

16mm幅キャリアテープ  
16mm WIDTH CARRIER TAPE

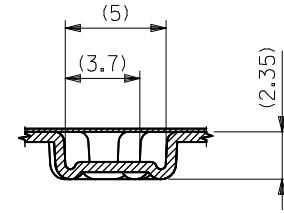
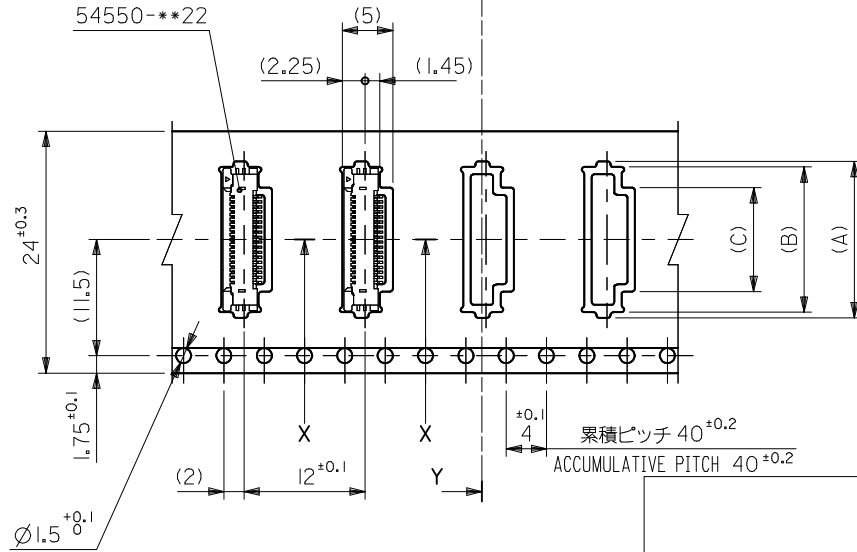
16	21.4	17.4	4.3	8.4	9.5	54550-0633	6
			3.8	7.9	9	54550-0533	5
			3.3	7.4	8.5	54550-0433	4
キャリアテープ幅 CARRIER TAPE WIDTH	E	D	(C)	(B)	(A)	製品番号 MATERIAL No.	極数 Ckt
						54550-***33	MODEL No.

RELEASED EC NO: J2013-1014 DRW: NKONDO 2012/09/13 CHK: KTAKAHASHI 2012/09/13 APPR: KMORIKAWA 2013/03/15	DESCRIPTION REV: 0	GENERAL TOLERANCES (UNLESS SPECIFIED)		DIMENSION STYLE MM ONLY		SCALE ---	DESIGN UNITS METRIC	THIRD ANGLE PROJECTION		
		10 UNDER	±0.2	DRAWN BY NKONDO	DATE 2012/09/13	TITLE EMBOSS TAPE PACKAGED FOR 0.5MM FPC CONN ZIF R/A HOUSING ASSY				
		10 OVER 30 UNDER	±0.25	CHECKED BY KTAKAHASHI	DATE 2012/09/13	molex DOCUMENT NO. SD-54550-076 SHEET NO. 2 OF 4				
		30 OVER	±0.3	APPROVED BY KMORIKAWA	DATE 2013/03/15					
ANGULAR ±3 °		DRAFT WHERE APPLICABLE MUST REMAIN WITHIN DIMENSIONS		MATERIAL NO. SEE CHART						
THIS DRAWING CONTAINS INFORMATION THAT IS PROPRIETARY TO MOLEX INCORPORATED AND SHOULD NOT BE USED WITHOUT WRITTEN PERMISSION										

引き出し方向  
PULL OUT DIRECTION



SECT. Y-Y



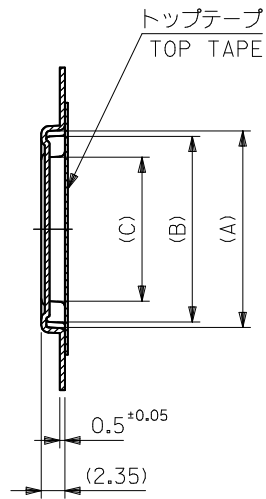
SECT. X-X

24mm幅キャリアテープ  
24mm WIDTH CARRIER TAPE

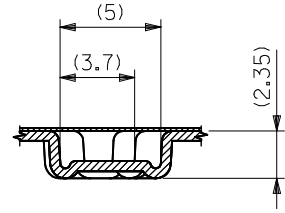
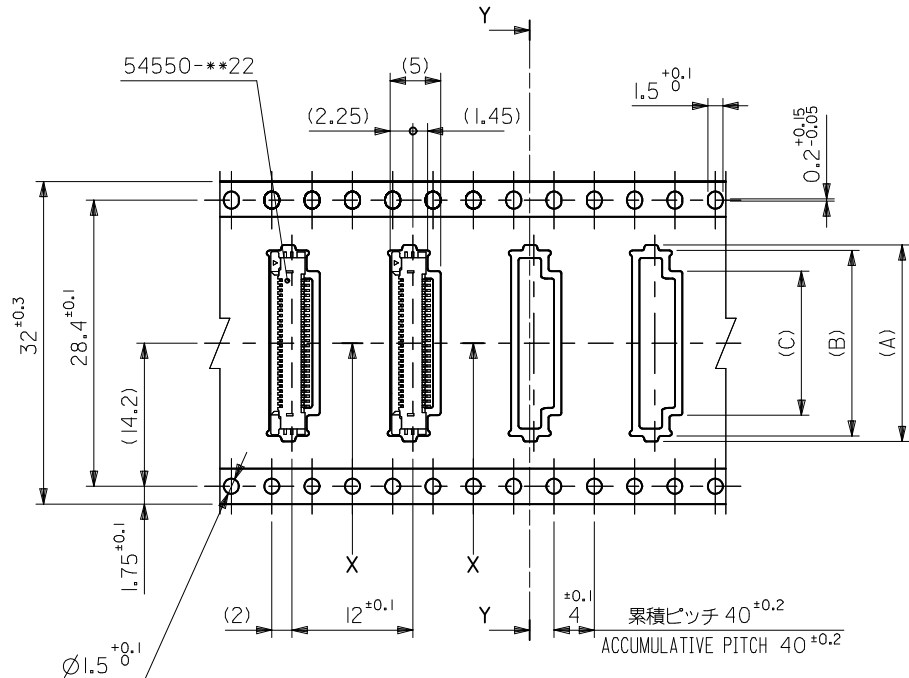
24	29.4	25.4	12.3	16.4	17.5	54550-2233	22
			11.8	15.9	17	54550-2133	21
			11.3	15.4	16.5	54550-2033	20
			10.8	14.9	16	54550-1933	19
			10.3	14.4	15.5	54550-1833	18
			9.8	13.9	15	54550-1733	17
			9.3	13.4	14.5	54550-1633	16
			8.8	12.9	14	54550-1533	15
			8.3	12.4	13.5	54550-1433	14
			7.8	11.9	13	54550-1333	13
			7.3	11.4	12.5	54550-1233	12
			6.8	10.9	12	54550-1133	11
			6.3	10.4	11.5	54550-1033	10
			5.8	9.9	11	54550-0933	9
5.3	9.4	10.5	54550-0833	8			
4.8	8.9	10	54550-0733	7			
キャリアテープ幅 CARRIER TAPE WIDTH			(C)	(B)	(A)	製品番号 MATERIAL No.	極数 Ck†

RELEASED EC NO.: J2013-1014 DRWN: NKONDO 2012/09/13 CHKD: KTAKAHASHI 2012/09/13 APPR: KMORIKAWA 2013/03/15	GENERAL TOLERANCES (UNLESS SPECIFIED)		DIMENSION STYLE MM ONLY		SCALE ---	DESIGN UNITS METRIC	THIRD ANGLE PROJECTION
	10 UNDER	±0.2	DRAWN BY NKONDO	DATE 2012/09/13	TITLE EMBOSS TAPE PACKAGED FOR 0.5MM FPC CONN ZIF R/A HOUSING ASSY <b>molex</b> DOCUMENT NO. SD-54550-076 SHEET NO. 3 OF 4		
	10 OVER 30 UNDER	±0.25	CHECKED BY KTAKAHASHI	DATE 2012/09/13			
	30 OVER	±0.3	APPROVED BY KMORIKAWA	DATE 2013/03/15			
ANGULAR ±3 °		MATERIAL NO. SEE CHART					
DRAFT WHERE APPLICABLE MUST REMAIN WITHIN DIMENSIONS		SIZE A3		THIS DRAWING CONTAINS INFORMATION THAT IS PROPRIETARY TO MOLEX INCORPORATED AND SHOULD NOT BE USED WITHOUT WRITTEN PERMISSION			

引き出し方向  
PULL OUT DIRECTION



SECT. Y-Y



SECT. X-X

32mm幅キャリアテープ  
32mm WIDTH CARRIER TAPE

32	37.4	33.4	14.3	18.4	19.5	54550-2633	26
			13.3	17.4	18.5	54550-2433	24
キャリアテープ幅 CARRIER TAPE WIDTH	E	D	(C)	(B)	(A)	製品番号 MATERIAL No.	極数 Ckt
						54550-***33	MODEL No.

RELEASED EC NO.: J2013-1014 2012/09/13 DRWN: NKONDO 2012/09/13 CHKD: TAKAHASHI 2013/03/15 APPR: KMORIKAWA	DESCRIPTION REV: 0	GENERAL TOLERANCES (UNLESS SPECIFIED)		DIMENSION STYLE MM ONLY		SCALE ---		DESIGN UNITS METRIC		THIRD ANGLE PROJECTION	
		10 UNDER	±0.2	DRAWN BY	DATE	TITLE					
		10 OVER 30 UNDER	±0.25	CHKD BY	DATE	EMBOSS TAPE PACKAGED FOR 0.5MM FPC CONN ZIF R/A HOUSING ASSY					
		30 OVER	±0.3	APPROVED BY	DATE						
ANGULAR ±3 ° DRAFT WHERE APPLICABLE MUST REMAIN WITHIN DIMENSIONS		MATERIAL NO. SEE CHART		DOCUMENT NO. SD-54550-076		SHEET NO. 4 OF 4					
		SIZE A3		THIS DRAWING CONTAINS INFORMATION THAT IS PROPRIETARY TO MOLEX INCORPORATED AND SHOULD NOT BE USED WITHOUT WRITTEN PERMISSION							