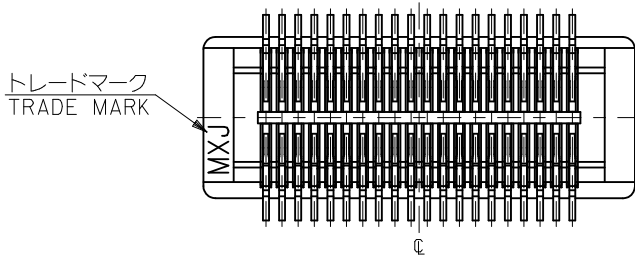


参考基板レイアウト (マウント面)
RECOMMENDED P.C.BOARD
PATTERN DIMENSION (REF.)
(MOUNTING AREA)



注記 NOTES:

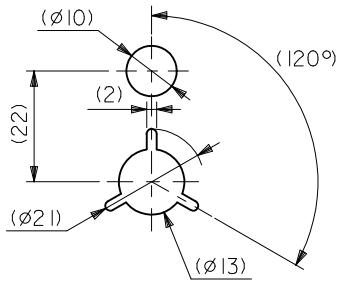
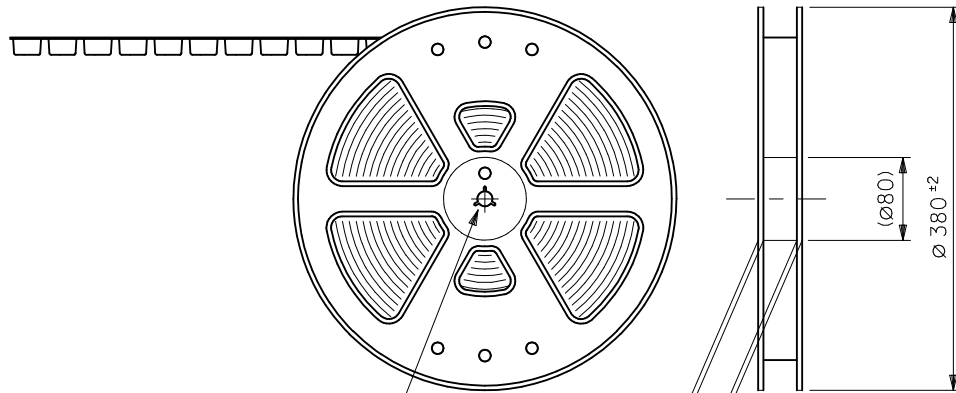
1. 使用材料 MATERIAL
ハウジング: 液晶ポリマー ガラス充填 UL94V-0 茶色
HOUSING: LIQUID CRYSTAL POLYMER
GLASS FILLED UL94V-0
COLOR BROWN
ターミナル: リン青銅 (t=0.15)
TERMINAL: PHOSPHOR BRONZE (t=0.15)
2. メッキ仕様 PLATING
金メッキ 0.25 マイクロメートル以上 (コンタクト部)
GOLD 0.25MICROMETER MINIMUM (CONTACT AREA)
金メッキ 0.4 マイクロメートル以下 (テール部)
GOLD 0.4MICROMETER MAXIMUM (TAIL AREA)
下地メッキ: ニッケルメッキ 1.5 マイクロメートル以上
UNDER PLATING: NICKEL 1.5MICROMETER MINIMUM

3. (全極数/2) = 偶数の場合に適用。
APPLY FOR (CIRCUIT/2)=EVEN.
4. 嵌合相手: 55526.501017 シリーズ
MATE WITH: 55526.501017 SERIES.
5. テール平坦度は、0.10 MAX.
TAIL COPLANARITY TO BE 0.10 MAX.

30.6	29.6	32.7	54684-1507	150
24.6	23.6	26.7	54684-1207	120
12.6	11.6	14.7	54684-0607	60
10.6	9.6	12.7	54684-0507	50
C	B	A	MATERIAL NO.	CIRCUIT
MODEL NO.			54684-***7	

REVISED EC NO: J2010-2046 DRWN: TARA101 2010/04/13 CHKD: YMIZUNO 2010/04/14 APPR: MSASAO 2010/04/16	DESCRIPTION REV	GENERAL TOLERANCES (UNLESS SPECIFIED)		DIMENSION STYLE MM ONLY		SCALE ---		DESIGN UNITS METRIC		THIRD ANGLE PROJECTION		
		10 UNDER	±0.2	DRAWN BY	DATE	TITLE						
		10 OVER 30 UNDER	±0.25	SAIHARA	1999/10/02	0.4 B-TO-B CONN REC HSG ASSY NO BOSS						
		30 OVER	±0.3	CHECKED BY	DATE							
ANGULAR ±3 °		DRAFT WHERE APPLICABLE MUST REMAIN WITHIN DIMENSIONS		APPROVED BY		DATE		MOLEX INCORPORATED				
				TYAMAGUCHI		2002/03/11		MATERIAL NO.		DOCUMENT NO.		
				SEE TABLE		SD-54684-003		SHEET NO.		1 OF 1		
				THIS DRAWING CONTAINS INFORMATION THAT IS PROPRIETARY TO MOLEX INCORPORATED AND SHOULD NOT BE USED WITHOUT WRITTEN PERMISSION								

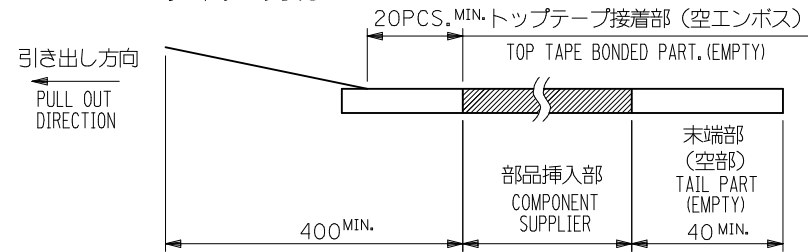
引き出し方向
PULL OUT
DIRECTION



DETAIL "F"

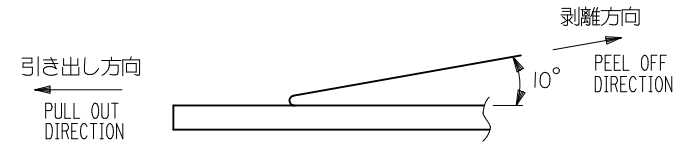
NOTES

- 製品詳細寸法については図面 SD-54684-003 を参照下さい。
RE DETAILED DIMENSION, SEE SD-54684-003
- 梱包数量：1500個/リール
NUMBER OF CONNECTORS：1500PCS/REEL
- リードテープ長さ LEAD TAPE LENGTH



- トップテープの剥離強度：0.1N ~ 0.7N(10.2gf ~ 71.4gf)
(剥離方向は下図参照)

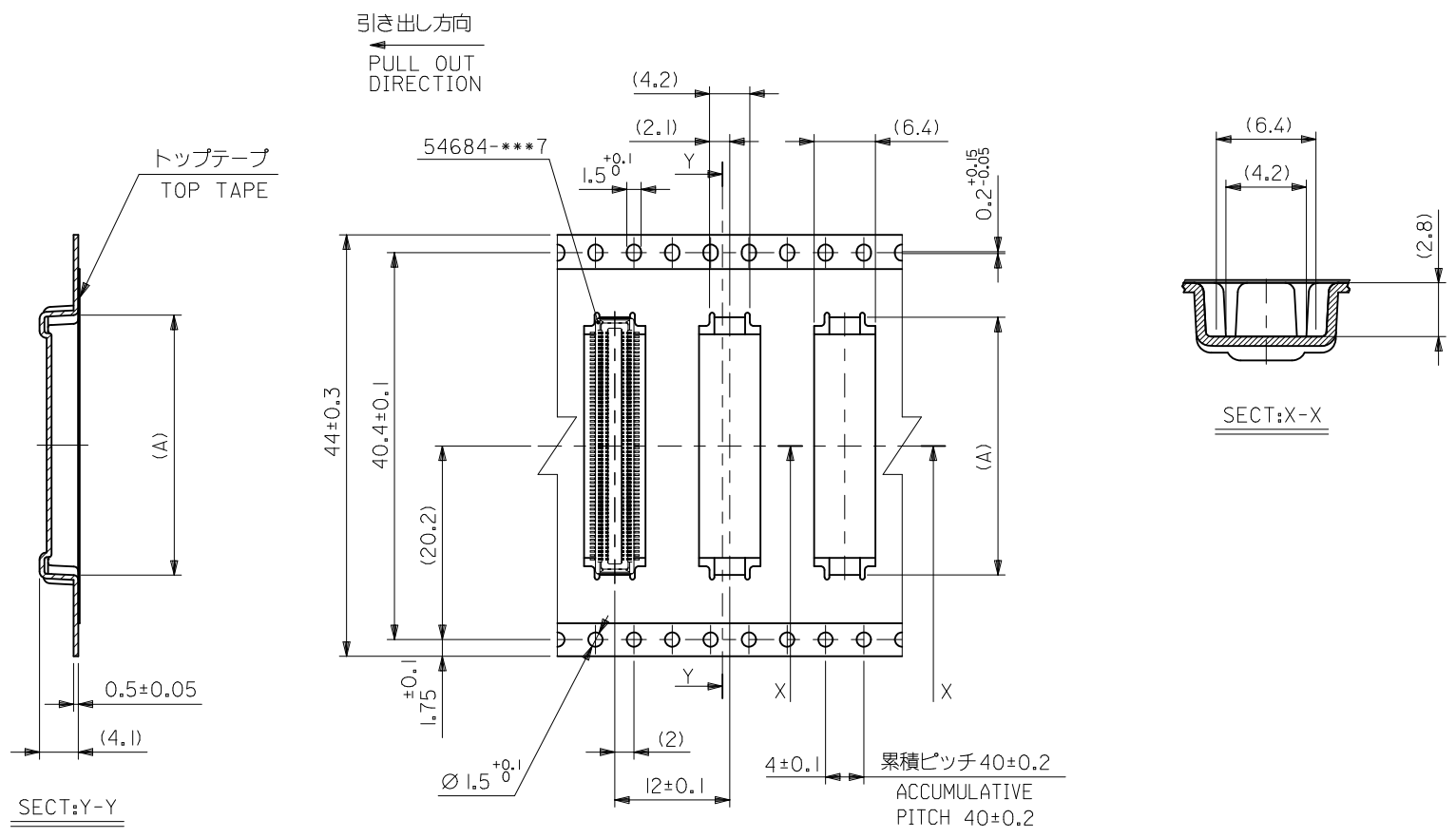
尚、本規格値は出荷時に適用。(但し、輸送時に剥離が発生しないこと。)
PEELING OFF FORCE OF TOP TAPE：0.1N ~ 0.7N(10.2gf ~ 71.4gf)
(PEELING DIRECTION AS SHOWN IN FOLLOWING FIG.)
THIS REQUIREMENT SHOULD BE APPLIED AT SHIPMENT.
PEEL OFF SHOULD NOT BE ALLOWED, DURING TRANSPORTATION.



- 材料(MATERIAL)
キャリアテープ(CARRIER TAPE)：ポリプロピレン(POLYPROPYLENE)
トップテープ(TOPTAPE)：PET, PE, PEF
リール(REEL)：ポリスチレン(P.S) <リサイクル材を含む>
POLYSTYREN(PS) <RECYCLE MATERIAL CONTAINED>

MODEL NO. 54684-***8

MATERIAL 材料	注記参照 SEE NOTES	REVISED EC NO: J2010-2046 DRWN: TARA101 2010/04/13 CHKD: Y. MIZUNO 2010/04/14 APPR: MSASAO 2010/04/16	GENERAL TOLERANCES (UNLESS SPECIFIED)		DIMENSION STYLE MM ONLY	SCALE ---	DESIGN UNITS METRIC	THIRD ANGLE PROJECTION
	FINISH 仕上げ		//	10 UNDER ±0.2 10 OVER 30 UNDER ±0.25 30 OVER ±0.3	DRAWN BY S. AIHARA	DATE 1999/10/02	TITLE 0.4 BTB CONN REC HSG ASSY NO BOSS EMBSTP PKG (H=3.5)	
WIRE RANGE 適用電線範囲	//	REV DESCRIPTION	ANGULAR ±3 °	CHECKED BY Y. MIZUNO	DATE 2002/03/11	MOLEX MOLEX INCORPORATED	DOCUMENT NO. SD-54684-004	SHEET NO. 1 OF 4
INS. RANGE 被覆外径	//		DRAFT WHERE APPLICABLE MUST REMAIN WITHIN DIMENSIONS	APPROVED BY T. YAMAGUCHI	DATE 2002/03/11		SEE TABLE	
			SIZE A3		THIS DRAWING CONTAINS INFORMATION THAT IS PROPRIETARY TO MOLEX INCORPORATED AND SHOULD NOT BE USED WITHOUT WRITTEN PERMISSION			



44mm幅キャリアテープ
44mm WIDTH CARRIER TAPE

44	49.4	45.4	26.9	54684-1208	120
キャリアテープ幅 CARRIER TAPE WIDTH	C	B	(A)	MATERIAL NO.	極数 CKT.

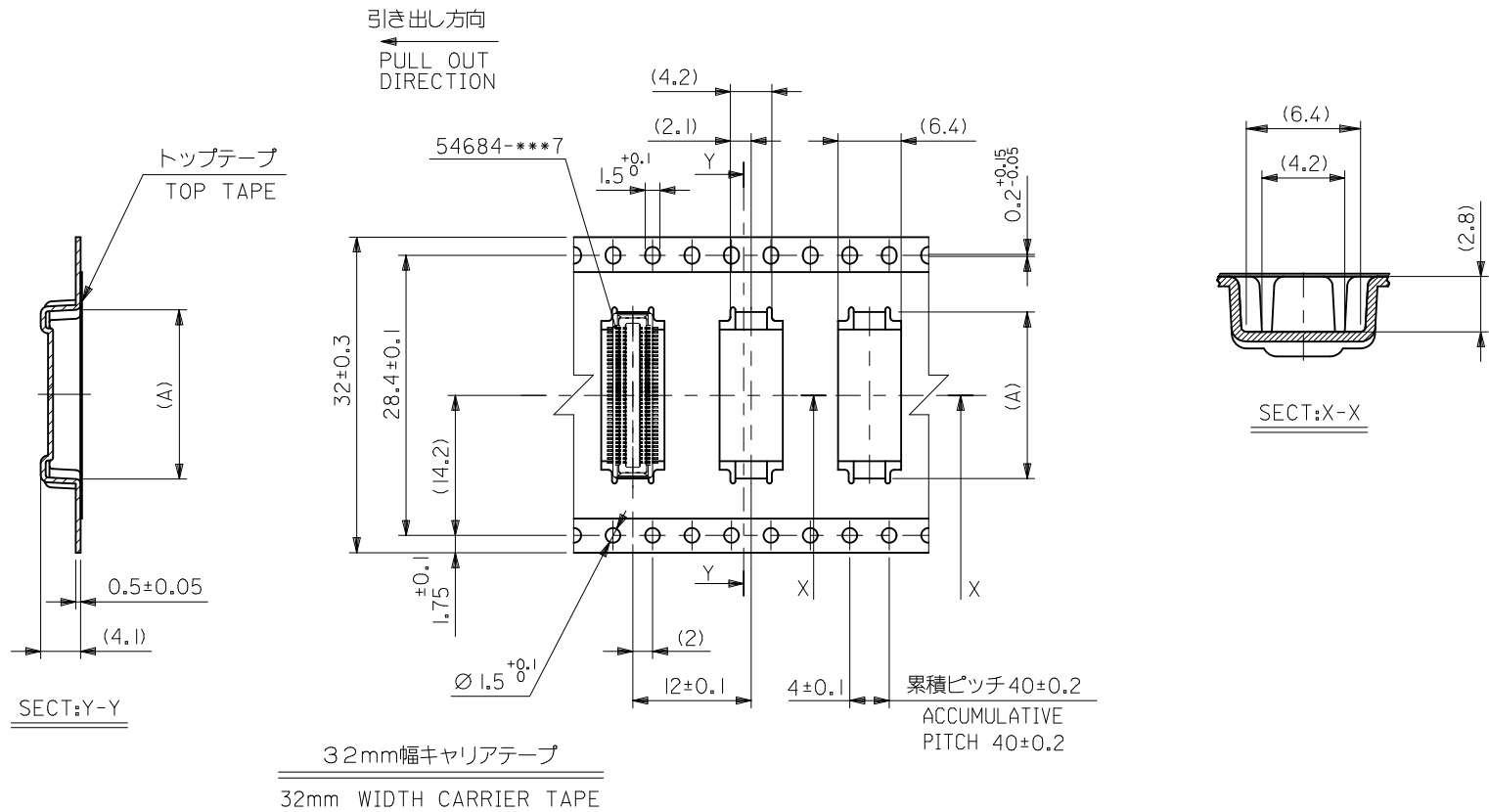
MATERIAL 材料	SHEET 1 OF 3 参照 REFER TO SHEET 1 OF 3
FINISH 仕上げ	//
WIRE RANGE 通用電線範囲	//
INS. RANGE 被覆外径	//

REVISED	EC NO: J2010-2046
DRWN: TARA101	2010/04/13
CHKD: Y. MIZUNO	T. 12010/04/14
APPR: MSASAO	2010/04/16

GENERAL TOLERANCES (UNLESS SPECIFIED)	
10 UNDER	±0.2
10 OVER 30 UNDER	±0.25
30 OVER	±0.3
ANGULAR	±3 °
DRAFT WHERE APPLICABLE MUST REMAIN WITHIN DIMENSIONS	

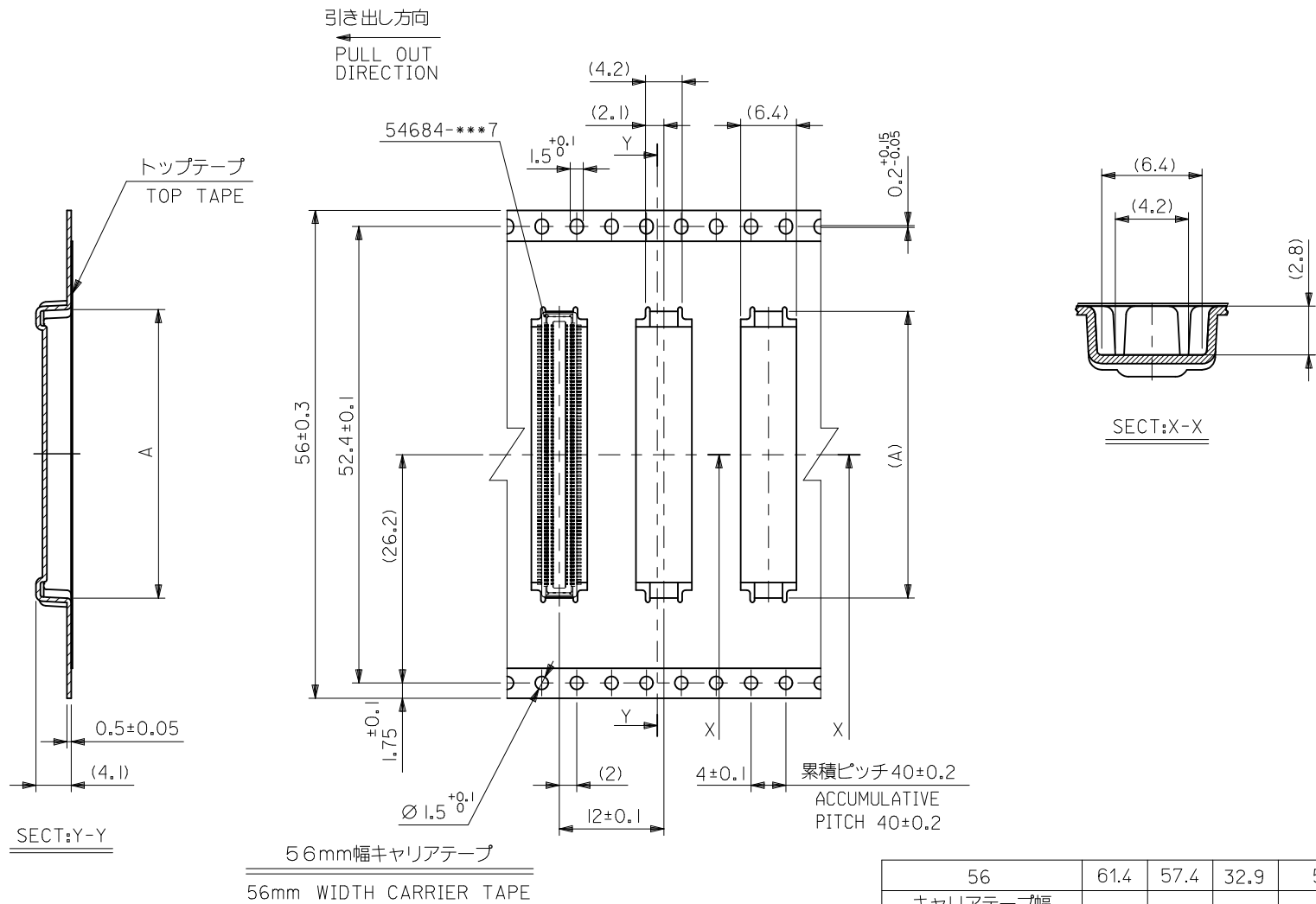
DIMENSION STYLE MM ONLY	
DRAWN BY S. AIHARA	DATE 1999/10/02
CHECKED BY Y. MIZUNO	T. I. 2002/03/11
APPROVED BY T. YAMAGUCHI	DATE 2002/03/11
MATERIAL NO. SEE TABLE	
SIZE A3	THIS DRAWING CONTAINS INFORMATION THAT IS PROPRIETARY TO MOLEX INCORPORATED AND SHOULD NOT BE USED WITHOUT WRITTEN PERMISSION

SCALE ---	DESIGN UNITS METRIC	MODEL NO. 54684-***8	THIRD ANGLE PROJECTION
TITLE 0.4 BTB CONN REC HSG ASSY NO BOSS EMBSTP PKG (H=3.5)			
MOLEX INCORPORATED			SHEET NO. 2 OF 4
DOCUMENT NO. SD-54684-004			



32	37.4	33.4	14.9	54684-0608	60
			12.9	54684-0508	50
キャリアテープ幅 CARRIER TAPE WIDTH	C	B	(A)	MATERIAL NO.	極数 CKT.

MATERIAL 材料		SHEET 1 OF 3 参照 REFER TO SHEET 1 OF 3		REVISED		GENERAL TOLERANCES (UNLESS SPECIFIED)		DIMENSION STYLE MM ONLY		SCALE ---		DESIGN UNITS METRIC		MODEL NO. 54684-***8	
FINISH 仕上げ		//		EC NO: J2010-2046		10 UNDER ±0.2		DRAWN BY T. TSUBOI		DATE 2002/03/11		TITLE 0.4 BTB CONN REC HSG ASSY NO BOSS EMBSTP PKG (H=3.5)			
WIRE RANGE 適用電線範囲		//		DRWN: TARA 01 2010/04/13		10 OVER 30 UNDER ±0.25		CHECKED BY Y. MIZUNO		DATE 2002/03/11		APPROVED BY T. YAMAGUCHI		DATE 2002/03/11	
INS. RANGE 被覆外径		//		CHK'D: Y. MIZUNO 2010/04/14		30 OVER ±0.3		APPROVED BY T. YAMAGUCHI		DATE 2002/03/11		MATERIAL NO. SEE TABLE		DOCUMENT NO. SD-54684-004	
				APPR: MSASAO 2010/04/16		ANGULAR ±3 °		SIZE A3		THIS DRAWING CONTAINS INFORMATION THAT IS PROPRIETARY TO MOLEX INCORPORATED AND SHOULD NOT BE USED WITHOUT WRITTEN PERMISSION		SHEET NO. 3 OF 4			
				REV		DRAFT WHERE APPLICABLE MUST REMAIN WITHIN DIMENSIONS									



56	61.4	57.4	32.9	54684-1508	150
キャリアテープ幅 CARRIER TAPE WIDTH	C	B	A	MATERIAL NO.	極数 CIRCUIT

MATERIAL 材料	SHEET 1 OF 3 参照 REFER TO SHEET 1 OF 3
FINISH 仕上げ	//
WIRE RANGE 適用電線範囲	//
INS. RANGE 被覆外径	//

REVISED	REV
EC NO: J2010-2046	DRWN: TARA101 2010/04/13
	CHKD: Y. MIZUNO 2010/04/14
	APPR: MSASAO 2010/04/16

GENERAL TOLERANCES (UNLESS SPECIFIED)	
10 UNDER	±0.2
10 OVER 30 UNDER	±0.25
30 OVER	±0.3
ANGULAR	±3 °
DRAFT WHERE APPLICABLE MUST REMAIN WITHIN DIMENSIONS	

DIMENSION STYLE MM ONLY	
DRAWN BY	DATE
T. TSUBOI	2002/03/11
CHECKED BY	DATE
Y. MIZUNO	2002/03/11
APPROVED BY	DATE
T. YAMAGUCHI	2002/03/11
MATERIAL NO.	
SEE TABLE	
SIZE	A3

SCALE	DESIGN UNITS	MODEL NO.	54684-***8
---	METRIC	THIRD ANGLE PROJECTION	
TITLE			
0.4 BTB CONN REC HSG ASS'Y NO BOSS EMBSTP PKG (H=3.5)			
MOLEX INCORPORATED			SHEET NO.
DOCUMENT NO.			4 OF 4
THIS DRAWING CONTAINS INFORMATION THAT IS PROPRIETARY TO MOLEX INCORPORATED AND SHOULD NOT BE USED WITHOUT WRITTEN PERMISSION			