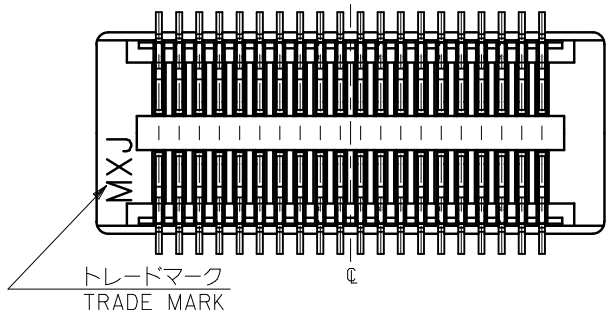


参考基板レイアウト (マウント面)  
P.C.BOARD PATTERN  
DIMENSION. (REF.)  
(MOUNTING AREA)

30極以下品形状  
SHAPE OF 30 CIRCUITS OR LESS

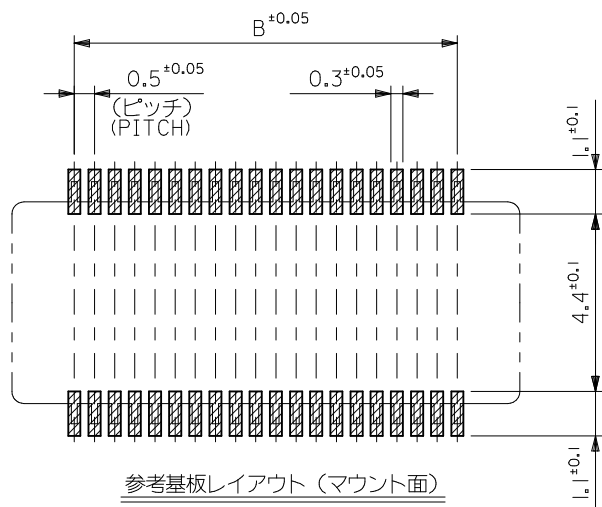
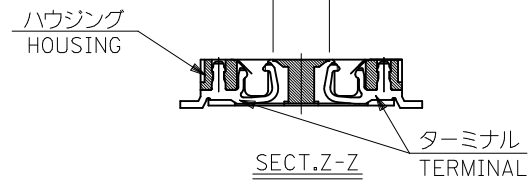
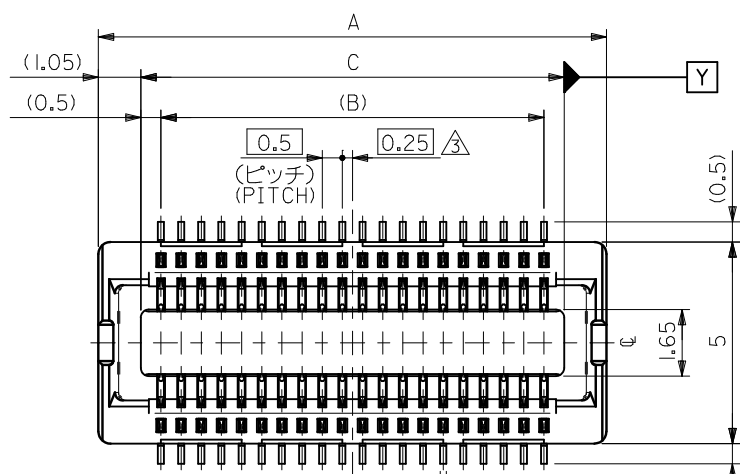


- 注記 NOTES:
1. 使用材料 MATERIAL  
 ハウジング: 液晶ポリマー ガラス充填, UL94V-0 (黒)  
 HOUSING: LIQUID CRYSTAL POLYMER (GLASS FILLED)  
 UL94V-0, (COLOR: BLACK)  
 ターミナル: リン青銅 (t=0.15)  
 TERMINAL: PHOSPHOR BRONZE (t=0.15)
  2. メッキ仕様 PLATING  
 金メッキ 0.25 MICROMETER MINIMUM (コンタクト部)  
 GOLD 0.25 MICROMETER MINIMUM. (CONTACT AREA)  
 金メッキ 0.4 MICROMETER MAXIMUM (テール部)  
 GOLD 0.4 MICROMETER MAXIMUM. (TAIL AREA)  
 下地メッキ: ニッケルメッキ 1.5 MICROMETER MINIMUM  
 UNDER PLATING: NICKEL 1.5 MICROMETER MINIMUM

- △ (全極数/2) = 偶数の場合に適用。  
 APPLY FOR (CIRCUIT/2) = EVEN.  
 4 嵌合相手: 55560 シリーズ, 53794 シリーズ  
 MATE WITH: 55560 SERIES, 53794 SERIES.  
 5 テール平坦度は 0.1 MAXIMUM.  
 TAIL COPLANARITY TO BE 0.1 MAXIMUM.

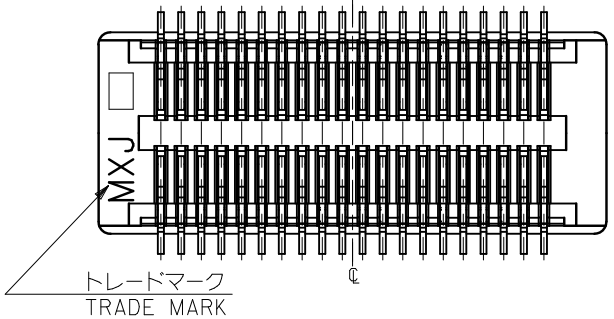
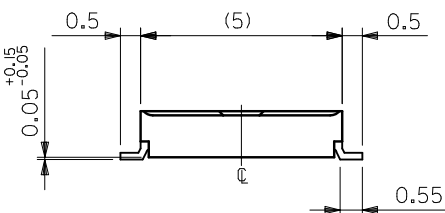
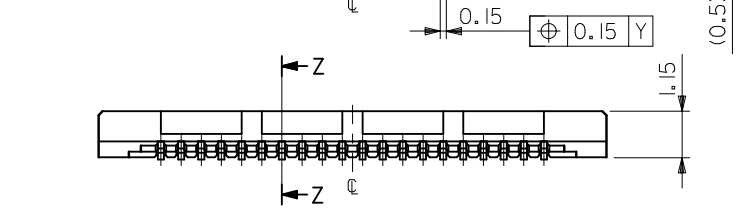
8.0	7.0	10.1	54722-0301	30
6.5	5.5	8.6	54722-0241	24
6.0	5.0	8.1	54722-0221	22
5.5	4.5	7.6	54722-0201	20
4.5	3.5	6.6	54722-0161	16
C	B	A	MATERIAL. NO	極数 CIRCUIT

REVISED EC NO: J2010-1532 DRW: KYAMANE 2010/02/01 CHKD: SARUYAMA 2010/02/01 APPR: MASASAO 2010/02/01	GENERAL TOLERANCES (UNLESS SPECIFIED)		DIMENSION STYLE MM ONLY		SCALE ---	DESIGN UNITS METRIC	THIRD ANGLE PROJECTION	
	10 UNDER	±0.20	DRAWN BY S. AIHARA	DATE 2000/10/05	TITLE 0.5 B-TO-B CONN REC HOUSING ASSY (HGT=1.5) (SHEET 1 OF 2)			
	10 OVER 30 UNDER	±0.25	CHECKED BY T. ITO	DATE 2000/10/05	MOLEX INCORPORATED			
	30 OVER	±0.3	APPROVED BY M. FUKUSHIMA	DATE 2000/10/05	DOCUMENT NO. SD-54722-007	SHEET NO. 1 OF 2		
	ANGULAR ±3 °	DRAFT WHERE APPLICABLE MUST REMAIN WITHIN DIMENSIONS		SEE CHART		THIS DRAWING CONTAINS INFORMATION THAT IS PROPRIETARY TO MOLEX INCORPORATED AND SHOULD NOT BE USED WITHOUT WRITTEN PERMISSION		



参考基板レイアウト (マウント面)  
P.C.BOARD PATTERN  
DIMENSION. (REF.)  
(MOUNTING AREA)

34極以上品形状  
SHAPE OF 34CIRCUITS OR MORE



注記 NOTES:

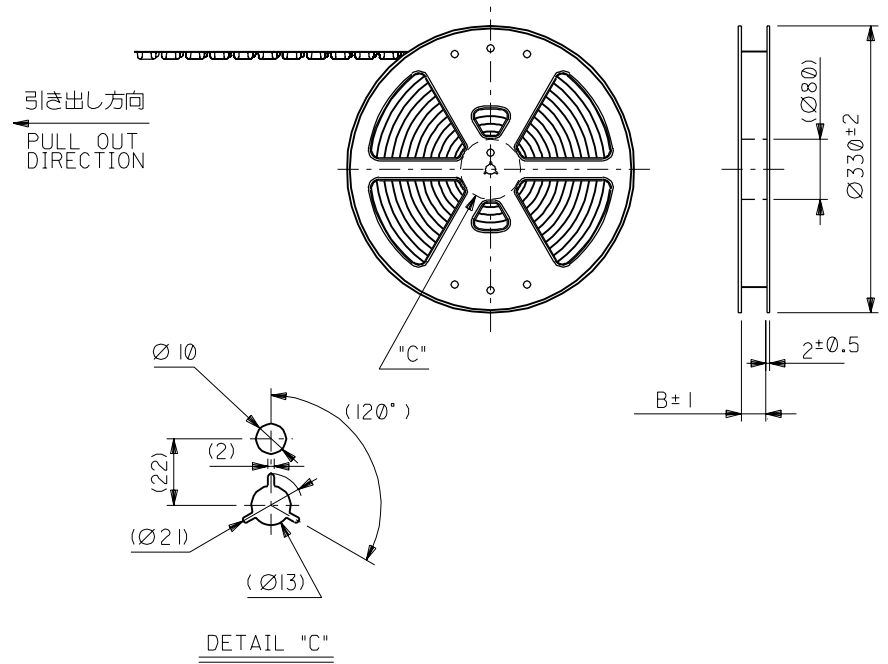
- 使用材料 MATERIAL  
ハウジング: 液晶ポリマー ガラス充填, UL94V-0 (黒)  
HOUSING: LIQUID CRYSTAL POLYMER (GLASS FILLED)  
UL94V-0, (COLOR: BLACK)  
ターミナル: リン青銅 (t=0.15)  
TERMINAL: PHOSPHOR BRONZE (t=0.15)
- メッキ仕様 PLATING  
金メッキ 0.25 MICROMETER MINIMUM (コンタクト部)  
GOLD 0.25 MICROMETER MINIMUM. (CONTACT AREA)  
金メッキ 0.4 MICROMETER MAXIMUM (テール部)  
GOLD 0.4 MICROMETER MAXIMUM. (TAIL AREA)  
下地メッキ: ニッケルメッキ 1.5 MICROMETER MINIMUM  
UNDER PLATING : NICKEL 1.5 MICROMETER MINIMUM

- △ (全極数/2) = 偶数の場合に適用。  
APPLY FOR (CIRCUIT/2) = EVEN.  
4 嵌合相手: 55560 シリーズ, 53794 シリーズ  
MATE WITH : 55560 SERIES, 53794 SERIES.  
5 テール平坦度は 0.1 MAXIMUM.  
TAIL COPLANARITY TO BE 0.1 MAXIMUM.

20.5	19.5	22.6	54722-0801	80
15.5	14.5	17.6	54722-0601	60
13.0	12.0	15.1	54722-0501	50
10.5	9.5	12.6	54722-0401	40
9.0	8.0	11.1	54722-0341	34
C	B	A	MATERIAL. NO	極数 CIRCUIT

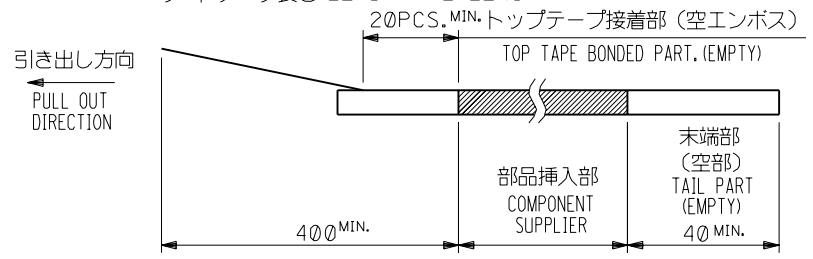
MODEL NO. 54722-\*\*\*1

SEE SHEET 1 OF 2 EC NO: J2010-1532 DRW: KYAMANE 2010/02/01 CHKD: SHARUYAMA 2010/02/01 APPR: MASASAO 2010/02/01	GENERAL TOLERANCES (UNLESS SPECIFIED)		DIMENSION STYLE MM ONLY		SCALE ---	DESIGN UNITS METRIC	THIRD ANGLE PROJECTION
	10 UNDER	±0.20	DRAWN BY S. AIHARA	DATE 2001/02/13	TITLE 0.5 B-TO-B CONN REC HOUSING ASSY (HGT=1.5) (SHEET 2 OF 2)		
	10 OVER 30 UNDER	±0.25	CHECKED BY T. ITO	DATE 2001/02/13	MOLEX INCORPORATED		
	30 OVER	±0.3	APPROVED BY M. FUKUSHIMA	DATE 2001/02/13	DOCUMENT NO. SD-54722-007	SHEET NO. 2 OF 2	
	ANGULAR ±3 °	DRAFT WHERE APPLICABLE MUST REMAIN WITHIN DIMENSIONS		SEE CHART			
		THIS DRAWING CONTAINS INFORMATION THAT IS PROPRIETARY TO MOLEX INCORPORATED AND SHOULD NOT BE USED WITHOUT WRITTEN PERMISSION					

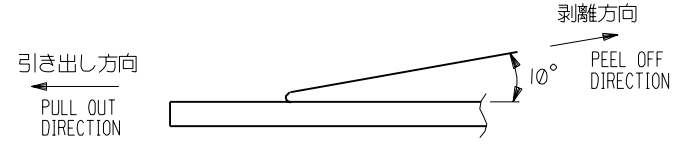


NOTES

- 製品詳細寸法については図面 SD-54722-007 を参照下さい。  
RE DETAILED DIMENSION, SEE SD-54722-007
- 梱包数量：2000個/リール  
NUMBER OF CONNECTORS : 2000PCS/REEL
- リードテープ長さ LEAD TAPE LENGTH



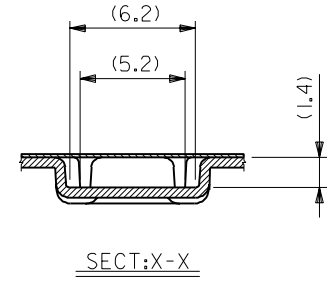
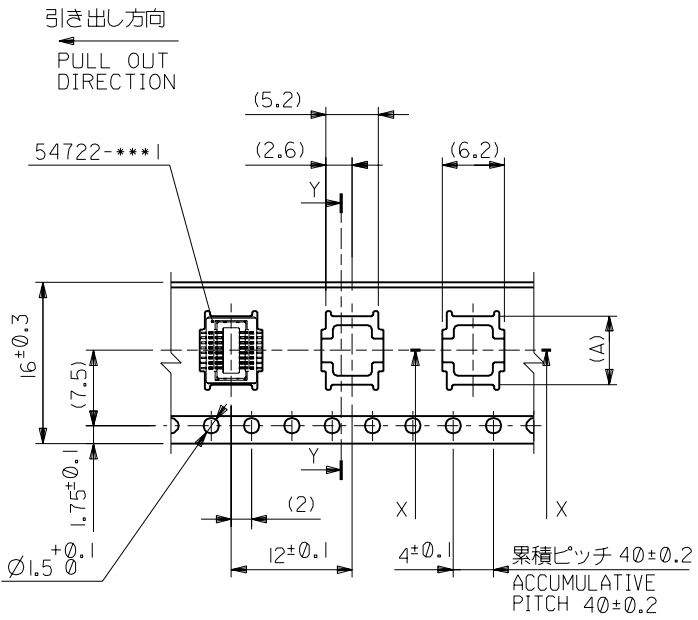
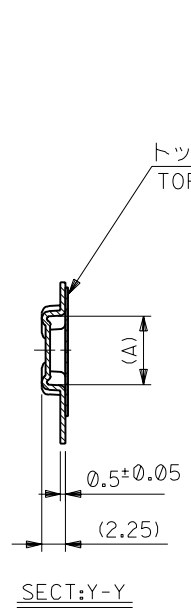
- トップテープの剥離強度：0.1N ~ 0.7N(10.2gf ~ 71.4gf)  
(剥離方向は下図参照)  
尚、本規格値は出荷時に適用。(但し、輸送時に剥離が発生しないこと。)  
PEELING OFF FORCE OF TOP TAPE : 0.1N ~ 0.7N(10.2gf ~ 71.4gf)  
(PEELING DIRECTION AS SHOWN IN FOLLOWING FIG.)  
THIS REQUIREMENT SHOULD BE APPLIED AT SHIPMENT.  
PEEL OFF SHOULD NOT BE ALLOWED , DURING TRANSPORTATION.



- 材料(MATERIAL)  
キャリアテープ：ポリプロピレン (PP)  
CARRIER TAPE : POLYPROPYLENE (PP)  
トップテープ：PET, PE, PEF  
TOP TAPE : PET, PE, PEF  
リール：ポリスチレン (PS) <リサイクル材を含む>  
REEL : POLYSTYRENE (PS) <RECYCLE MATERIAL CONTAINED>

④64 NO. DRWN: CH'K: APPR:		④63 NO. DRWN: CH'K: APPR:		④62 NO. DRWN: CH'K: APPR:		REVISED 01/09/19 ④61 NO. J2002-0650 DRWN: R. TAKEUCHI CH'K: T. ITO APPR: T. YAMAGUCHI		PROPOSED ④60 NO. JC2001-0402 DRWN: S. AIHARA 00/11/28 CH'K: T. ITO APPR: M. FUKUSHIMA		MATERIAL 材料 注記参照 SEE NOTES		GENERAL TOLERANCES: (UNLESS SPECIFIED) 一般公差		SCALE 1/1		MODEL NO. 54722-***8		DIMENSIONS: <input type="checkbox"/> mm <input type="checkbox"/> INCH <input checked="" type="checkbox"/> mm ONLY		SHT 1 REV 0	
						A		0		//		10 UNDER 未満 30 UNDER 未満		DRAWN BY & DATE S. AIHARA 00/11/28		DESIGN UNITS <input checked="" type="checkbox"/> mm <input type="checkbox"/> INCH		TITLE: 0.5 B-To-B Conn Rec Assy (Hgt=1.5) Embstp Pkg		REVERSE ON CAD ONLY	
										//		10 OVER 30 UNDER 未満 30 OVER 以上		CHECKED BY & DATE T. ITO 01/09/19		APPROVED BY & DATE T. YAMAGUCHI 01/09/19		MOLEX MOLEX INCORPORATED			
										//		WIRE RANGE 適用層線範囲		CAD FILENAME 54722010.S01		MATERIAL NO. SEE CHART		DRAWING NO. SD-54722-010		SHEET NO. 1 OF 3	
										//		INS. RANGE 被覆外径		ANGLE 角度		3°		THIS DRAWING CONTAINS INFORMATION THAT IS PROPRIETARY TO MOLEX INCORPORATED AND SHOULD NOT BE USED WITHOUT WRITTEN PERMISSION.		SIZE B	

DWG. NO. SD-54722-010



16mm幅キャリアテープ  
16mm WIDTH CARRIER TAPE

16	17.5	6.8	54722-0168	16
キャリアテープ幅 CARRIER TAPE WIDTH		B	(A)	極数 CIRCUIT
MODEL NO.		54722-***8		DIMENSIONS:

04 NO. DRWN: CH'K: APPR:	03 NO. DRWN: CH'K: APPR:	02 NO. DRWN: CH'K: APPR:	REVISED '01/09/19 01 NO. J2002-0650 DRWN: R.TAKEUCHI CH'K: T.IITO APPR: T.YAMAGUCHI	PROPOSED 03 NO. JC2001-0402 DRWN: S.AIHARA '00/11/28 CH'K: T.IITO APPR: M.FUKUSHIMA
			A	0

MATERIAL 材料	SHEET 1 OF 3 参照 REFER TO SHEET 1 OF 3	
FINISH 仕上げ	//	
WIRE RANGE 適用線径範囲	//	
INS. RANGE 被覆外径	//	

GENERAL TOLERANCES: (UNLESS SPECIFIED) 一般公差	
10 UNDER 未満	±0.2
10 OVER 30 UNDER 未満	±0.25
30 OVER 以上	±0.3
ANGLE 角度	±3°

SCALE 1/1	DESIGN UNITS mm	STANDARD ANGLE PROJECTION	SHT 2	REV 3
DRAWN BY & DATE S.AIHARA '00/11/28		TITLE: 0.5 B-To-B Conn Rec Assy (Hgt=1.5) Embstp Pkg		
CHECKED BY & DATE T.IITO '01/09/19		MOLEX MOLEX INCORPORATED		
APPROVED BY & DATE T.YAMAGUCHI '01/09/19		MATERIAL NO. SEE CHART		
CAD FILENAME 54722010.S02		DRAWING NO. SD-54722-010		SHEET NO. 2 OF 3
THIS DRAWING CONTAINS INFORMATION THAT IS PROPRIETARY TO MOLEX INCORPORATED AND SHOULD NOT BE USED WITHOUT WRITTEN PERMISSION.				SIZE B

DO NOT SCALE DRAWING

DWG. NO. SD-54722-010

F

D

V

C

B

DO NOT SCALE DRAWING

8 7 6 5 4 3 2 1

F

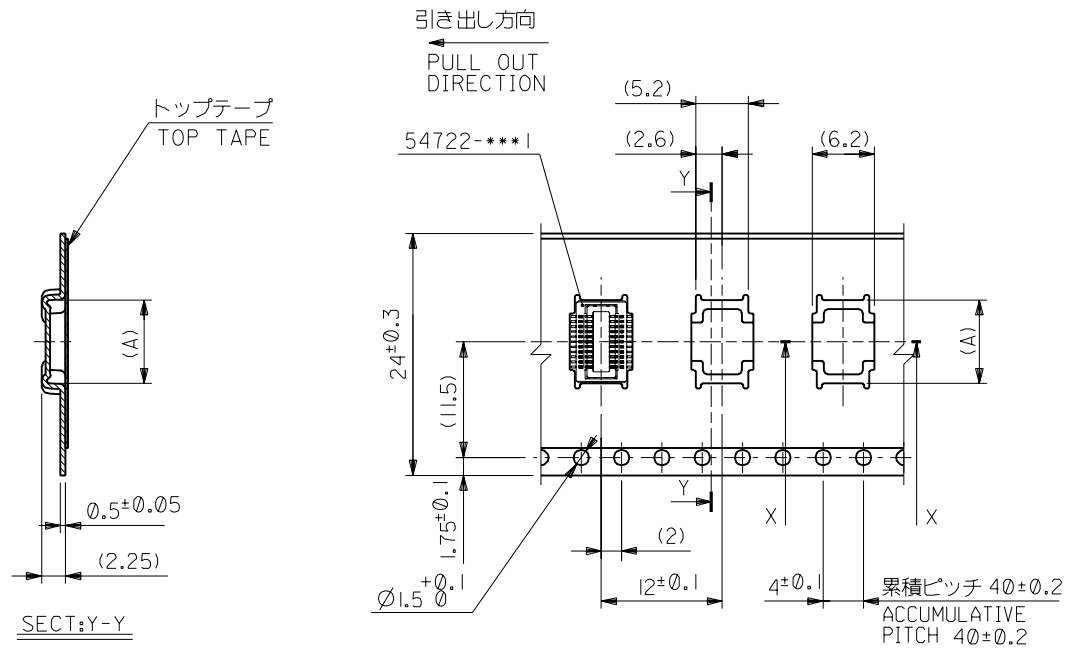
E

D

C

B

A



24mm幅キャリアテープ  
24mm WIDTH CARRIER TAPE

24	25.5	10.3	54722-0308	30
		8.3	54722-0228	22
キャリアテープ幅 CARRIER TAPE WIDTH		B	(A)	MATERIAL NO.
MODEL NO.		54722-***8		DIMENSIONS:
				SHT
				REV
				REVISION ON CAD ONLY

04 NO. DRWN: CH'K: APPR:	03 NO. DRWN: CH'K: APPR:	02 NO. DRWN: CH'K: APPR:	REVISED: 01/09/19 01 NO. J2002-0650 DRWN: R.TAKEUCHI CH'K: T.IITO APPR: T.YAMAGUCHI	PROPOSED 06 NO. JC2001-0402 DRWN: S.AIHARA 00/11/28 CH'K: T.IITO APPR: M.FUKUSHIMA	MATERIAL 材料 SHEET 1 OF 3 参照 REFER TO SHEET 1 OF 3
			A	0	FINISH 仕上げ //
					WIRE RANGE 適用線径範囲 //
					INS. RANGE 被覆外径 //

GENERAL TOLERANCES: (UNLESS SPECIFIED) 一般公差		SCALE 1/1	DESIGN UNITS 2mm 1/8 INCH	PROJECTION 2ND ANGLE	SHT	REV
10 UNDER 未満	±0.2	DRAWN BY & DATE S.AIHARA 00/11/28		TITLE: 0.5 B-To-B Conn Rec Assy (Hgt=1.5) Embstp Pkg		
10 OVER 30 UNDER 未満	±0.25	CHECKED BY & DATE T.IITO 01/09/19		MOLEX MATERIAL NO. DRAWING NO. SD-54722-010 SHEET NO. 3 OF 3		
30 OVER 以上	±0.3	APPROVED BY & DATE T.YAMAGUCHI 01/09/19		MATERIAL NO. DRAWING NO. SD-54722-010 SHEET NO. 3 OF 3		
ANGLE 角度	±3°	CAD FILENAME 54722010.S03		MATERIAL NO. DRAWING NO. SD-54722-010 SHEET NO. 3 OF 3		

THIS DRAWING CONTAINS INFORMATION THAT IS PROPRIETARY TO MOLEX INCORPORATED AND SHOULD NOT BE USED WITHOUT WRITTEN PERMISSION.				SIZE B
--	--	--	--	--------

8 7 6 5 4 3 2 1 EN-02J(097) MXJ-54