

注記  
NOTE

- 本製品は55100-0600, 54280-0600の鉛フリー品である。  
THIS PRODUCT IS LEAD FREE OF 55100-0600 AND 54280-0600.

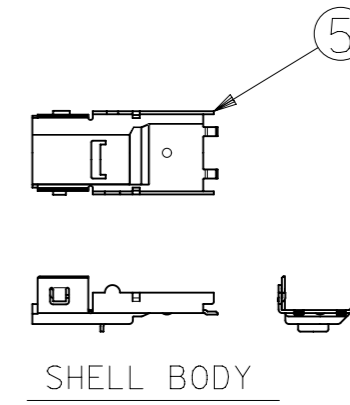
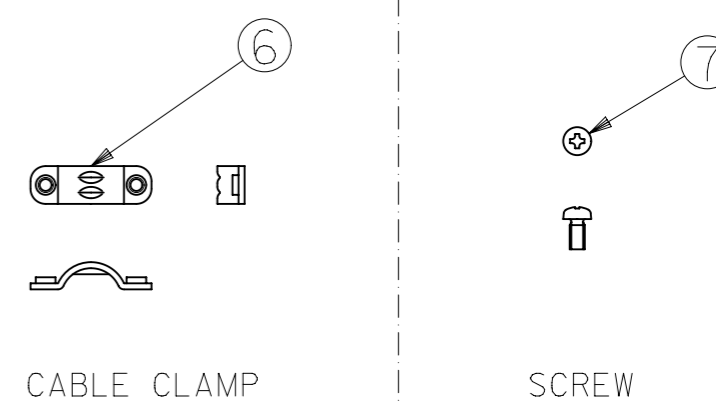
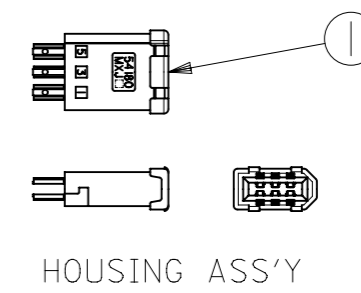
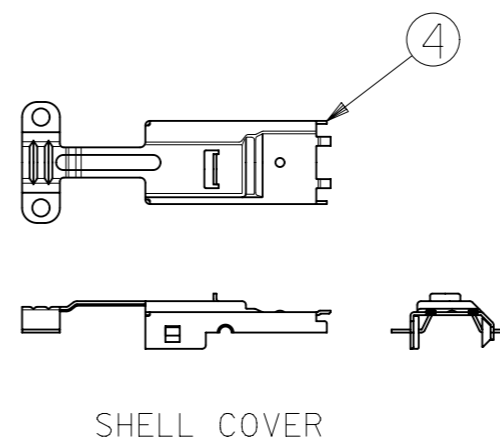
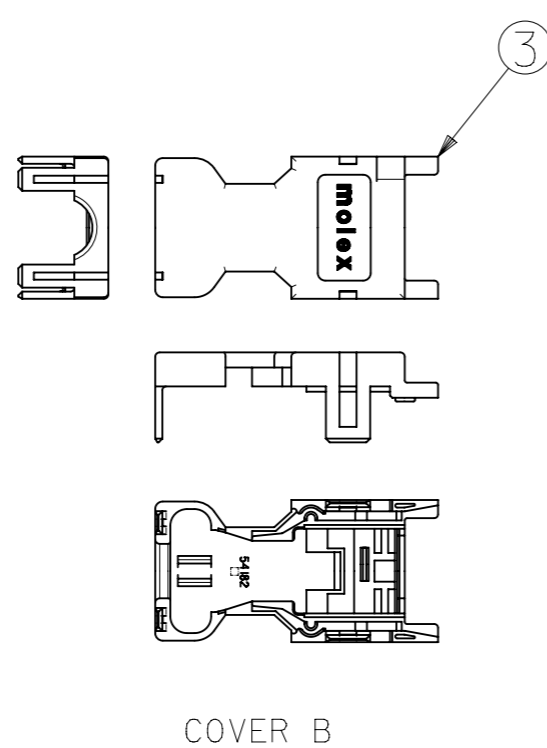
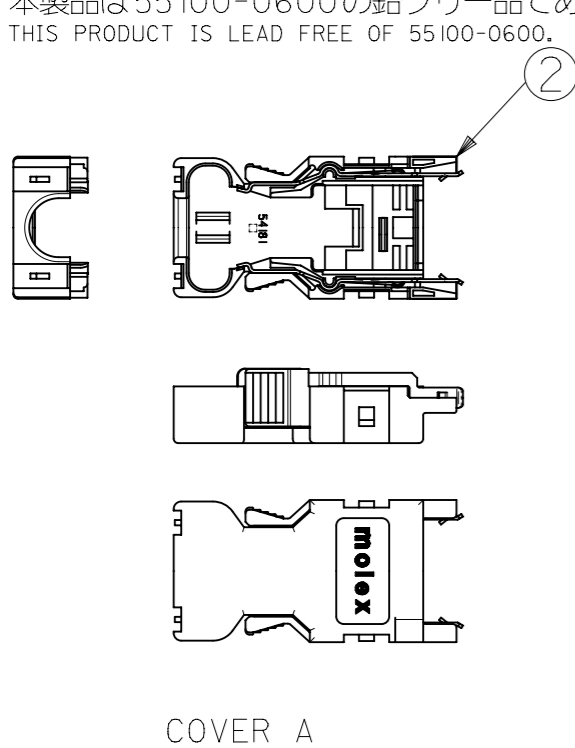
THIS DRAWING CONTAINS INFORMATION THAT IS PROPRIETARY TO MOLEX ELECTRONIC TECHNOLOGIES, LLC AND SHOULD NOT BE USED WITHOUT WRITTEN PERMISSION

REVISED EC NO: 119030 DRWN: TNAKAGAWA01 CHK'D: KTAKAHASHI APPR: MSASAO	2017/07/06	GENERAL TOLERANCES (UNLESS SPECIFIED)		DIMENSION UNITS	SCALE	<p>2.0 I/O CONN. CROSS-SECT. VIEW OF MATED CONNECTORS -LEAD FREE-</p> <p>PRODUCT CUSTOMER DRAWING</p>
	2017/07/11	ANGULAR TOL ± °		MM	4:1	
	2017/07/11	4 PLACES ±		DRWN BY	DATE	
		3 PLACES ±		MNABEI	2008/04/09	
		2 PLACES ±		CHK'D BY	DATE	
	1 PLACE ±		MISOGAYA	2008/04/10		
	0 PLACES ±		APPR BY	DATE		
			NUKITA	2008/04/11		
			DRAFT WHERE APPLICABLE MUST REMAIN WITHIN DIMENSIONS	DRAWING SIZE	THIRD ANGLE PROJECTION	SERIES
				A3		54280
						MATERIAL NUMBER
						SEE IN FIGURE
						CUSTOMER
						GENERAL MARKET
						DOCUMENT NUMBER
						SD-54280-011
						DOC TYPE
						PSD
						DOC PART
						001
						SHEET NUMBER
						1 OF 1

部品構成  
PARTS CONSTRUCTION

部番 NO.	部品名 PART NAME	製品番号 ENG. NO.	個数 QUAN.	材質 MATERIAL
①	ハウジングアッセンブリ HOUSING ASS'Y	54180-0619	1	ハウジング：ガラス入り耐熱樹脂 UL94V-0 色：黒 HOUSING : G.F. HEAT RESISTANT PLASTIC UL94V-0 COLOR : BLACK ターミナル：りん青銅 t0.3 TERMINAL : PHOSPHOR BRONZE t0.3 メッキ仕様 接点部：ニッケル下地金メッキ PLATING CONTACT AREA : GOLD OVER NICKEL 結線部：ニッケル下地錫メッキ WIRE TERMINATION AREA : TIN OVER NICKEL
②	カバーA COVER A	54181-0615	1	カバーA：ガラス入りポリカーボネイト樹脂 COVER A : POLYCARBONATE G.F. UL94V-0 色：グレー UL94V-0 COLOR : GRAY スプリングラッチ：ステンレス鋼 t0.4 SPRING LATCH : STAINLESS STEEL t0.4
③	カバーB COVER B	54182-0605	1	ガラス入りポリカーボネイト樹脂 UL94V-0 色：グレー POLYCARBONATE G.F. UL94V-0 COLOR : GRAY
④	シエル カバー SHELL COVER	58299-0626	1	鋼 t0.4 STEEL t0.4
⑤	シエル ボディ SHELL BODY	58300-0626	1	メッキ仕様：ニッケル下地、錫メッキ PLATING : NICKEL BASE, TIN PLATING
⑥	ケーブルクランプ CABLE CLAMP	58303-0000	1	ステンレス鋼 STAINLESS STEEL
⑦	十字穴付きなべ小ネジ CROSS RECESSED PAN HEAD MACHINE SCREW	59832-0009	2	黄銅(ネジサイズ：M2X4) BRASS (SCREW SIZE : M2X4)

NOTES:  
本製品は55100-0600の鉛フリー品である  
THIS PRODUCT IS LEAD FREE OF 55100-0600.



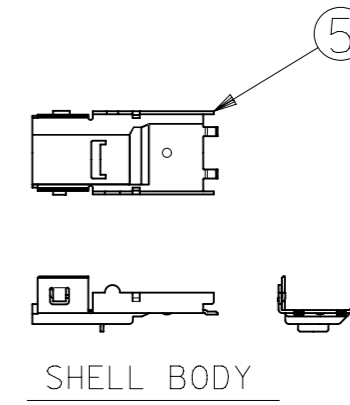
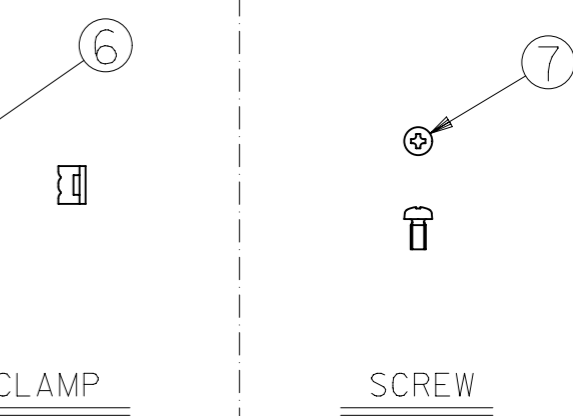
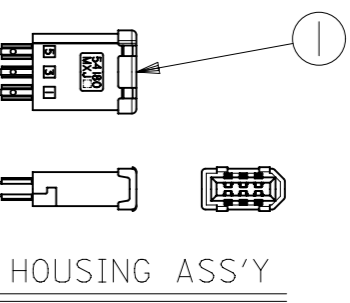
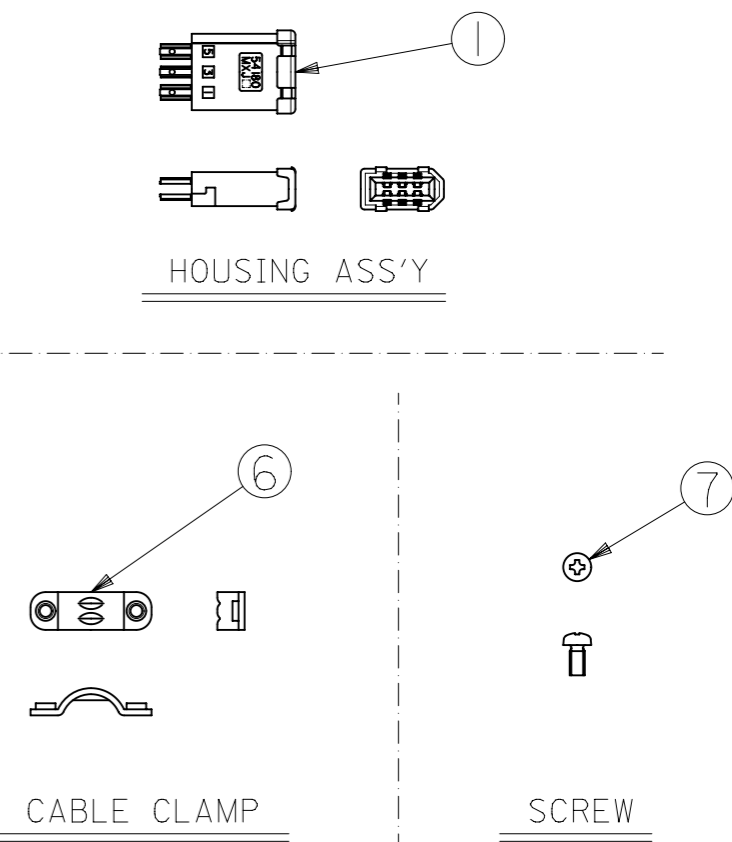
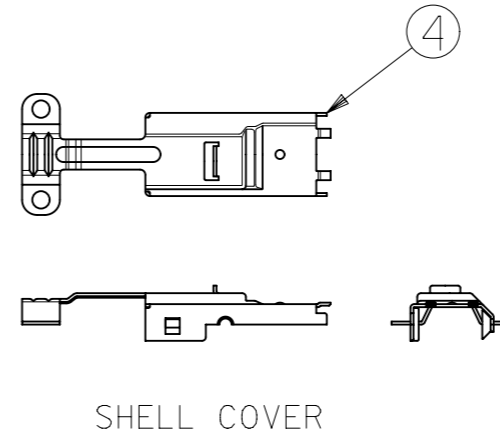
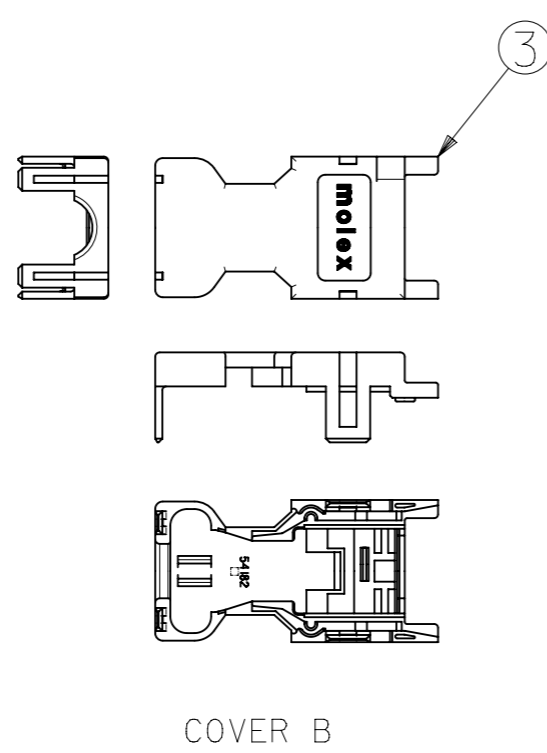
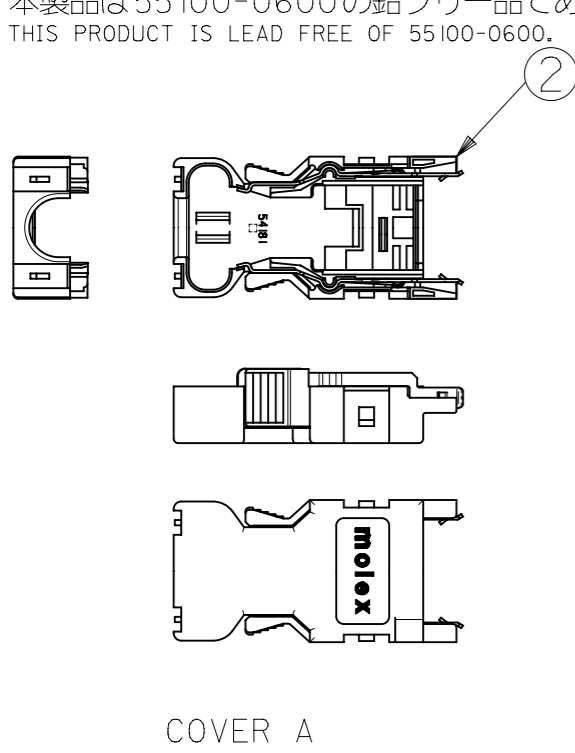
GRAY	TRAY & POLY BAG	55100-0680	55100-***0
	POLY BAG	55100-0670	
COVER COLOR	PACKAGE METHOD	MATERIAL No.	MODEL No.

THIS DRAWING CONTAINS INFORMATION THAT IS PROPRIETARY TO MOLEX ELECTRONIC TECHNOLOGIES, LLC AND SHOULD NOT BE USED WITHOUT WRITTEN PERMISSION				CURRENT REV DESC:				<b>molex</b>			
DIMENSION UNITS	SCALE	EC NO: 627599									
mm	NTS	DRWN: KTAKEUCHI01 2019/10/02		PRODUCT CUSTOMER DRAWING							
GENERAL TOLERANCES (UNLESS SPECIFIED)		CHK'D: TKON 2019/11/19		DOCUMENT NUMBER		DOC TYPE	DOC PART	REVISION			
ANGULAR TOL	± °	APPR: ASHIMOTSU 2019/11/19		SD-55100-004		PSD	001	C			
4 PLACES	±	INITIAL REVISION:		MATERIAL NUMBER		CUSTOMER		SHEET NUMBER			
3 PLACES	±	DRWN: HKAWABATA 2004/05/21		SEE TABLE		GENERAL MARKET		1 OF 2			
2 PLACES	±	APPR: MSASAO 2004/05/21		SERIES							
1 PLACE	±	DRAFT WHERE APPLICABLE MUST REMAIN WITHIN DIMENSIONS		A3-SIZE							
0 PLACES	±	THIRD ANGLE PROJECTION		55100							

部品構成  
PARTS CONSTRUCTION

部番 NO.	部品名 PART NAME	製品番号 ENG. NO.	個数 QUAN.	材質 MATERIAL
①	ハウジングアッセンブリ HOUSING ASS'Y	54180-0619	1	ハウジング：ガラス入り耐熱樹脂 UL94V-0 色：黒 HOUSING : G.F. HEAT RESISTANT PLASTIC UL94V-0 COLOR : BLACK ターミナル：りん青銅 t0.3 TERMINAL : PHOSPHOR BRONZE t0.3 メッキ仕様 接点部：ニッケル下地金メッキ PLATING CONTACT AREA : GOLD OVER NICKEL 結線部：ニッケル下地錫メッキ WIRE TERMINATION AREA : TIN OVER NICKEL
②	カバーA COVER A	54181-0616	1	カバーA：ガラス入りポリカーボネイト樹脂 COVER A : POLYCARBONATE G.F. UL94V-0 色：黒 UL94V-0 COLOR : BLACK スプリングラッチ：ステンレス鋼 t0.4 SPRING LATCH : STAINLESS STEEL t0.4
③	カバーB COVER B	54182-0606	1	ガラス入りポリカーボネイト樹脂 UL94V-0 色：黒 POLYCARBONATE G.F. UL94V-0 COLOR : BLACK
④	シエル カバー SHELL COVER	58299-0626	1	鋼 t0.4 STEEL t0.4
⑤	シエル ボディ SHELL BODY	58300-0626	1	メッキ仕様：ニッケル下地、錫メッキ PLATING : NICKEL BASE, TIN PLATING
⑥	ケーブルクランプ CABLE CLAMP	58303-0000	1	ステンレス鋼 STAINLESS STEEL
⑦	十字穴付きなべ小ネジ CROSS RECESSED PAN HEAD MACHINE SCREW	59832-0009	2	黄銅(ネジサイズ：M2X4) BRASS (SCREW SIZE : M2X4)

NOTES:  
本製品は55100-0600の鉛フリー品である  
THIS PRODUCT IS LEAD FREE OF 55100-0600.



BLACK	POLY BAG	55100-0671	55100-***1
COVER COLOR	PACKAGE METHOD	MATERIAL No.	MODEL No.

THIS DRAWING CONTAINS INFORMATION THAT IS PROPRIETARY TO MOLEX ELECTRONIC TECHNOLOGIES, LLC AND SHOULD NOT BE USED WITHOUT WRITTEN PERMISSION		CURRENT REV DESC:		<b>molex</b>	
DIMENSION UNITS	SCALE	EC NO: 627599			
mm	NTS	DRWN: KTAKEUCHI01 2019/10/02		2.0 I/O CONN.PLUG SET	
GENERAL TOLERANCES (UNLESS SPECIFIED)		CHK'D: TKON 2019/11/19		PRODUCT CUSTOMER DRAWING	
ANGULAR TOL	±	APPR: ASHIMOTSU 2019/11/19		DOCUMENT NUMBER	
4 PLACES	±	INITIAL REVISION:		SD-55100-004	
3 PLACES	±	DRWN: HKAWABATA 2004/05/21		DOC TYPE	
2 PLACES	±	APPR: MSASAO 2004/05/21		PSD	
1 PLACE	±	MATERIAL NUMBER		DOC PART	
0 PLACES	±	SEE TABLE		001	
DRAFT WHERE APPLICABLE MUST REMAIN WITHIN DIMENSIONS		THIRD ANGLE PROJECTION	DRAWING	SERIES	CUSTOMER
			A3-SIZE	55100	GENERAL MARKET
					SHEET NUMBER
					2 OF 2

DOCUMENT STATUS	P1	RELEASE DATE	2019/11/19	08:11:00
-----------------	----	--------------	------------	----------