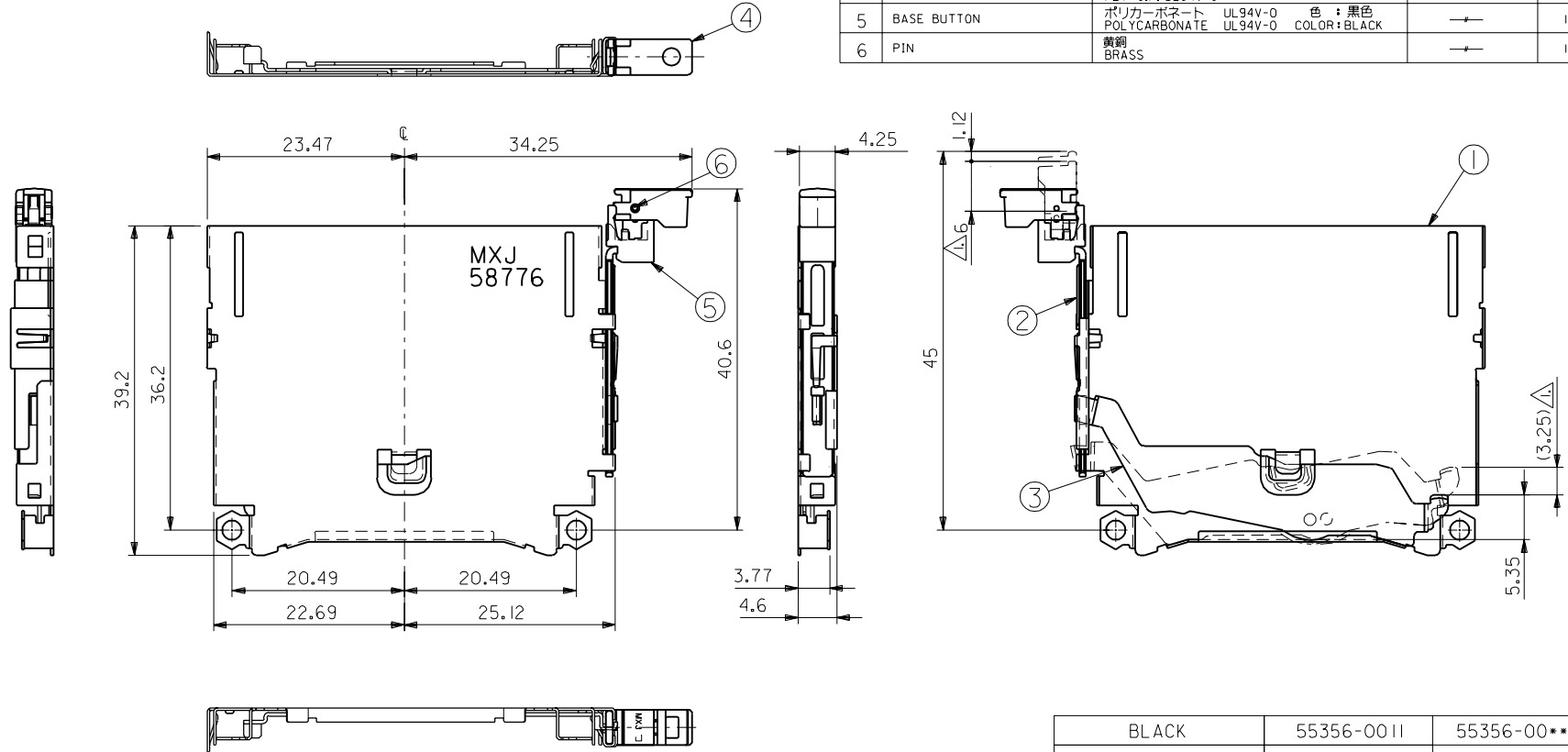


DWG. NO. SD-55356-002

No.	品名 NAME	材料 MATERIAL	仕上げ FINISH	個数 PIECE
1	METAL SHELL	ステンレス鋼 t0.3 STAINLESS STEEL t0.3	—	1
2	ROD	ステンレス鋼 t0.8 STAINLESS STEEL t0.8	—	1
3	LEVER	ステンレス鋼 t0.4 STAINLESS STEEL t0.4	—	1
4	TOP BUTTON	ガラス入りポリエステル UL94V-0 PBT G.F. UL94V-0	—	1
5	BASE BUTTON	ポリカーボネート UL94V-0 色 : 黒色 POLYCARBONATE UL94V-0 COLOR:BLACK	—	1
6	PIN	黄銅 BRASS	—	1



DO NOT SCALE DRAWING

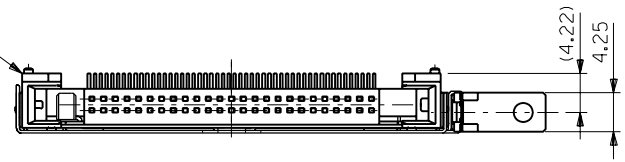
EC NO. DRWN: CHK: APPR:	EC NO. DRWN: CHK: APPR:	EC NO. DRWN: CHK: APPR:	REVISED EC No. JD90581 DRWN: TANAKA '98/10/20 CHK: MSASAO '98/10/20 APPR: HIKESUGI '98/10/20	RELEASED EC No. JD90218 DRWN: TANAKA '98/08/18 CHK: MSASAO '98/08/18 APPR: HIKESUGI '98/08/18	DESCRIPTION	MATERIAL 材料	GENERAL TOLERANCES: (UNLESS SPECIFIED) 一般公差	SCALE 2-1	DESIGN UNITS <input checked="" type="checkbox"/> mm <input type="checkbox"/> INCH	THIRD ANGLE PROJECTION	DIMENSIONS: <input type="checkbox"/> mm <input type="checkbox"/> INCH <input checked="" type="checkbox"/> mm ONLY	SHT REV
					SEE CHART	FINISH 仕上付	10 UNDER 未満	+0.2	DRAWN BY & DATE <i>M. Tanaka</i> '98/08/18	TITLE: CF CARD CONN. EJECT MECHANISM METAL SHELL ASS'Y (FOR LEFT SIDE BUTTON)		REVISE ON CAD ONLY
						WIRE RANGE 適用線径範囲	10 OVER 以上	+0.25	CHECKED BY & DATE <i>H. Saito</i> '98/08/18			
						INS. RANGE 被覆外径	30 UNDER 未満	+0.3	APPROVED BY & DATE <i>H. Saito</i> '98/08/18			
							30 OVER 以上	+0.3	CAD FILE NAME 55356002.S01	MATERIAL NO. SEE CHART	DRAWING NO. SD-55356-002	SHEET NO. 1 OF 2
							ANGLE 角度	+3°	THIS DRAWING CONTAINS INFORMATION THAT IS PROPRIETARY TO MOLEX INCORPORATED AND SHOULD NOT BE USED WITHOUT WRITTEN PERMISSION.			

BLACK	55356-0011	55356-00**
TOP BUTTON COLOR	MATERIAL No.	MODEL No.

A
B
C
D
E
F

DWG. NO. SD-55356-002

△ HDR ASS'Y
55341-5010
(55340-5010)

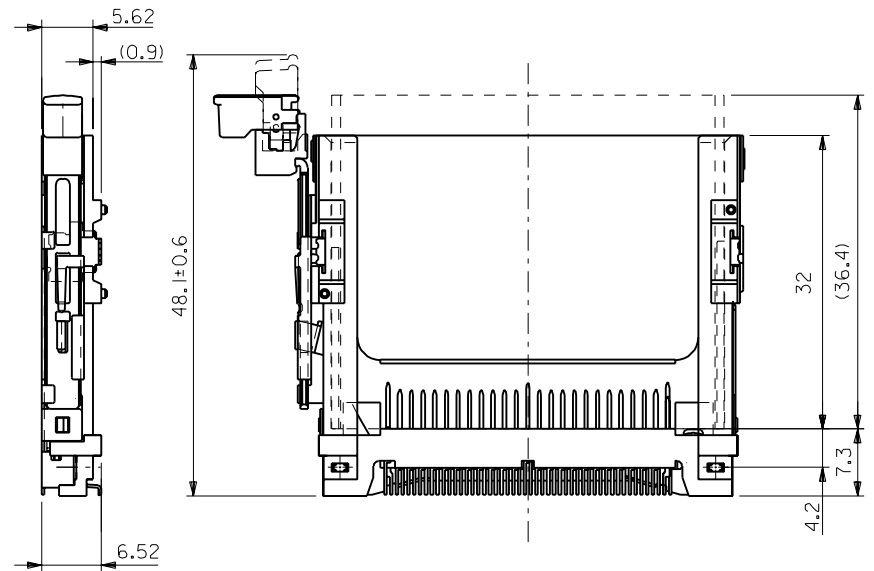
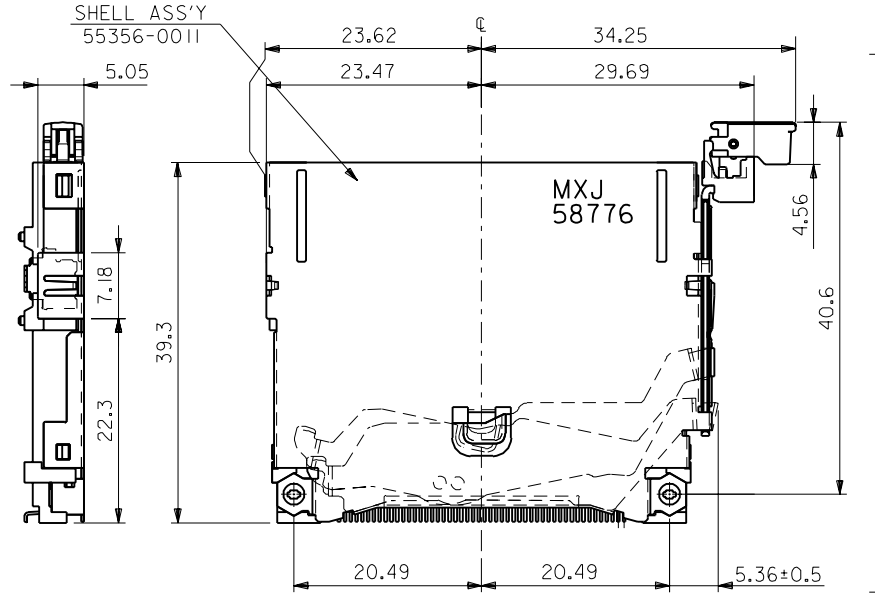


REFERENCE USE ONLY

注)
NOTES

- △1 ボタンストロークが 6mm の時、カード飛び出し量は (3.25mm)。
WHEN BUTTON PUSH STROKE IS 6mm, CARD OUT BY (3.25mm).
- 2. 適合 HEADER ASS'Y : 55340-5010(REVERSE), 55341-5010(NORMAL)
APPLICABLE HEADER ASS'Y : 55340-5010(REVERSE), 55341-5010(NORMAL)
- △3 SD-55341-003 (SD-55340-003) 参照
SEE SD-55341-003 (SD-55340-003)

SHELL ASS'Y
55356-0011



DO NOT SCALE DRAWING

EC NO. DRWN: CHK: APPR:	EC NO. DRWN: CHK: APPR:	EC NO. DRWN: CHK: APPR:	EC NO. DRWN: CHK: APPR:	A	0	DESCRIPTION	MATERIAL 材料	FINISH 仕上り	WIRE RANGE 適用線径範囲	INS. RANGE 被覆外径
						SEE SHEET 1 OF 2 参照	#	#	#	#

GENERAL TOLERANCES: (UNLESS SPECIFIED) 一般公差		SCALE 2 - 1	DESIGN UNITS <input checked="" type="checkbox"/> mm <input type="checkbox"/> INCH	THIRD ANGLE PROJECTION	DIMENSIONS: <input type="checkbox"/> mm <input type="checkbox"/> INCH <input checked="" type="checkbox"/> mm ONLY	SHT REV
10 UNDER 未満	+0.2					REVISE ON CAD ONLY
10 OVER 以上	+0.25					
30 OVER 以上	+0.3					
ANGLE 角度	+3°					

DRAWN BY & DATE <i>M. Yanaka</i> '98/08/18		CHECKED BY & DATE <i>H. Saito</i> '98/08/18		APPROVED BY & DATE <i>H. Saito</i> '98/08/18		TITLE: CF CARD CONN. EJECT MECHANISM METAL SHELL ASS'Y (FOR LEFT SIDE BUTTON)	
CAD FILENAME 55356002.S02		MATERIAL NO. SEE SHEET 1 OF 2		DRAWING NO. SD-55356-002		SHEET NO. 2	
MOLEX INCORPORATED							
THIS DRAWING CONTAINS INFORMATION THAT IS PROPRIETARY TO MOLEX INCORPORATED AND SHOULD NOT BE USED WITHOUT WRITTEN PERMISSION.							
							SIZE B