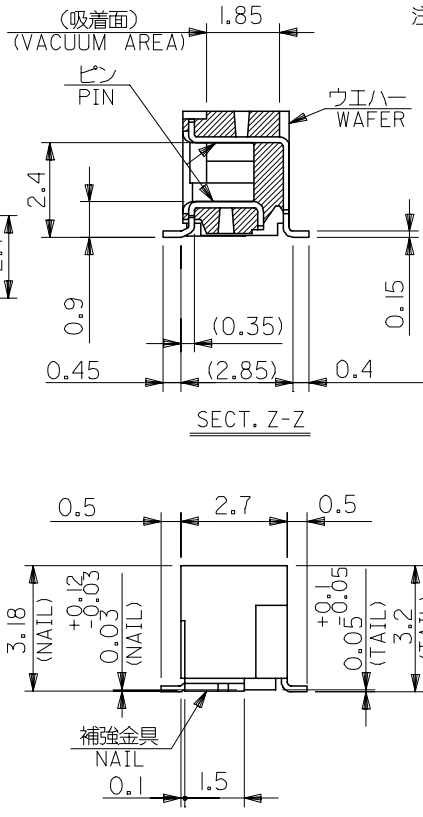
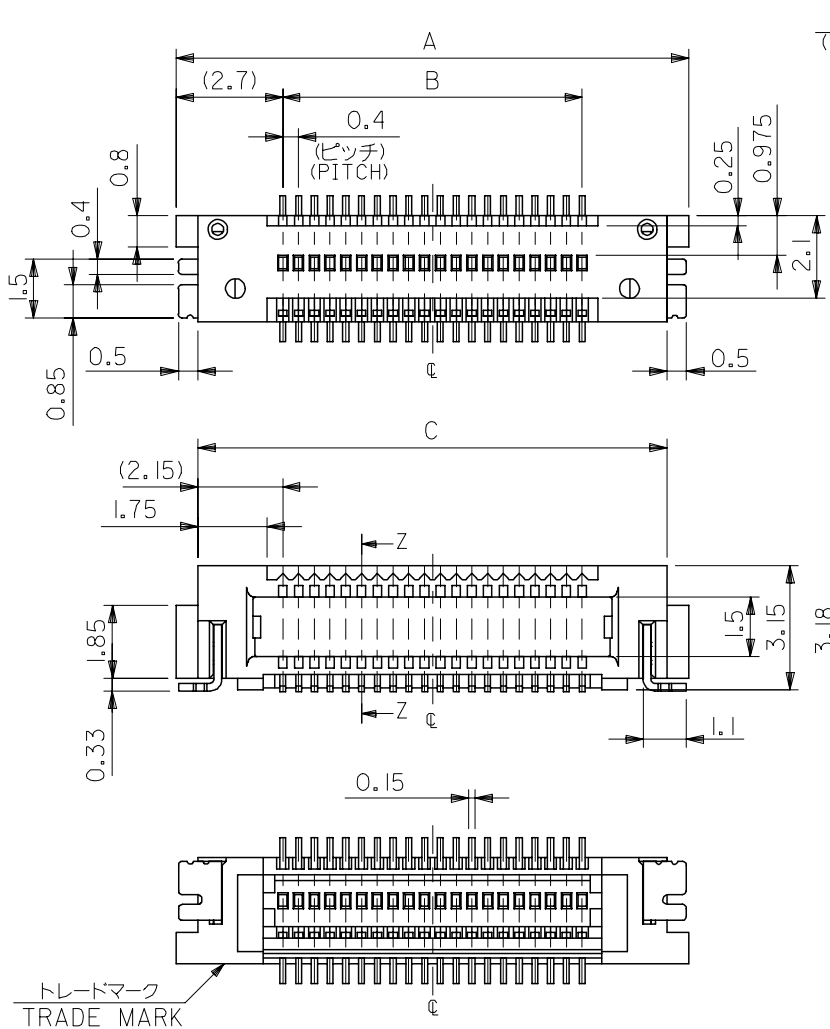


10 9 8 7 6 5 4 3 2 1



注記 NOTES:

1. 使用材料 MATERIAL
 ウエハー: 液晶ポリマー ガラス充填 UL94V-0 茶色
 WAFER: LIQUID CRYSTAL POLYMER, GLASS FILLED, UL94V-0, COLOR BROWN
 ピン: リン青銅 (t=0.15)
 PIN: PHOSPHOR BRONZE (t=0.15)
 補強金具: リン青銅 (t=0.2)
 FITTING NAIL: PHOSPHOR BRONZE (t=0.2)
2. メッキ仕様 PLATING
 ピン PIN
 金メッキ 0.25 マイクロメートル以上 (コンタクト部)
 GOLD 0.25 MICROMETER MINIMUM (CONTACT AREA)
 金メッキ 0.35 マイクロメートル以下 (テール部)
 GOLD 0.35 MICROMETER MAXIMUM (TAIL AREA)
 下地メッキ: ニッケルメッキ 1.5 マイクロメートル以上
 UNDER PLATING: NICKEL 1.5 MICROMETER MINIMUM
 補強金具 FITTING NAIL
 鍍メッキ: 1.0 マイクロメートル以上
 TIN: 1.0 MICROMETER MINIMUM
 下地メッキ: ニッケルメッキ 1.0 マイクロメートル以上
 UNDER PLATING: NICKEL 1.0 MICROMETER MINIMUM
3. 嵌合相手: 54552 シリーズ
 MATE WITH: 54552 SERIES.
4. テール平坦度は、0.08 以下
 テール及び金具の平坦度は、0.1 以下
 TAIL COPLANARITY TO BE 0.08 MAXIMUM
 TAIL AND FITTING NAIL COPLANARITY TO BE 0.1 MAXIMUM
5. 本製品は 55394-***5 の鉛フリー品である。
 THIS PRODUCT IS LEAD FREE OF 55394-***5.

20.5	21.9	17.6	23	55394-0909	90
18.5	19.9	15.6	21	55394-0809	80
10.5	11.9	7.6	13	55394-0409	40
8.5	9.9	5.6	11	55394-0309	30
6.5	7.9	3.6	9	55394-0209	20
D	C	B	A	MATERIAL NO.	CIRCUIT

MODEL NO.		55394-***9			
DIMENSION STYLE		SCALE	DESIGN UNITS		THIRD ANGLE PROJECTION
MM ONLY		---	METRIC		
DRAWN BY		DATE		TITLE	
HKAWABAT		2004/05/06		0.4 B/B CONN. PLUG ASS'Y (R/A) W/O BOSS -LEAD FREE-	
CHECKED BY		DATE		MOLEX MOLEX INCORPORATED	
KTOJO		2004/05/06			
APPROVED BY		DATE		DOCUMENT NO.	
MSASAO		2004/05/06		SD-55394-015	
MATERIAL NO.		SEE CHART			SHEET NO.
					1 OF 3

REVISED EC NO: J2006-1654 DRW: HVAJIMA 2005/12/27 CHKD: TANAKA 2006/01/05 APPR: NUKITA 2006/01/10	GENERAL TOLERANCES (UNLESS SPECIFIED)	
	10 UNDER	±0.2
	10 OVER 30 UNDER	±0.25
	30 OVER	±0.3
	ANGULAR	±3 °
REV	DRAFT WHERE APPLICABLE MUST REMAIN WITHIN DIMENSIONS	

10 9 8 7 6 5 4 3 2 1

F

F

E

E

D

D

C

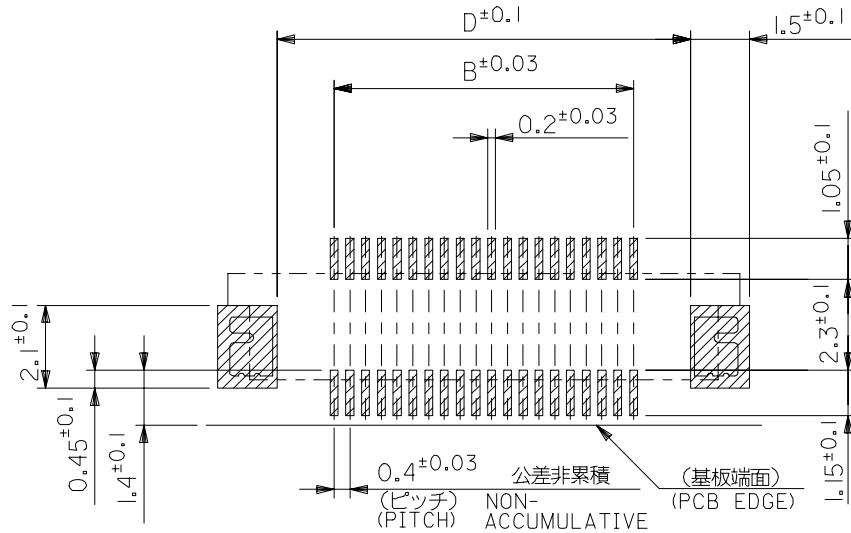
C

B

B

A

A



参考基板レイアウト (マウント面)
 RECOMMENDED P.C.BOARD
 PATTERN DIMENSION. (REFERENCE)
 (MOUNTING AREA)

MODEL NO. 55394-***9

REVISED EC NO: J2006-1654 DRW:HYAJIMA 2005/12/27 CHKD:TANAKA 2006/01/05 APPR:NUKITA 2006/01/10	GENERAL TOLERANCES (UNLESS SPECIFIED)		DIMENSION STYLE MM ONLY		SCALE ---	DESIGN UNITS METRIC	THIRD ANGLE PROJECTION	
	10 UNDER	±0.2	DRAWN BY HKAWABAT	DATE 2004/05/06	TITLE 0.4 B/B CONN.PLUG ASS'Y (R/A) W/O BOSS -LEAD FREE-			
	10 OVER 30 UNDER	±0.25	CHECKED BY KTOJO	DATE 2004/05/06				
	30 OVER	±0.3	APPROVED BY MSASAO	DATE 2004/05/06	MOLEX INCORPORATED DOCUMENT NO. SD-55394-015 SHEET NO. 2 OF 3			
	ANGULAR	±3 °	MATERIAL NO. SEE CHART					
DRAFT WHERE APPLICABLE MUST REMAIN WITHIN DIMENSIONS		SIZE A3		THIS DRAWING CONTAINS INFORMATION THAT IS PROPRIETARY TO MOLEX INCORPORATED AND SHOULD NOT BE USED WITHOUT WRITTEN PERMISSION				

9

8

7

6

5

4

3

2

10 9 8 7 6 5 4 3 2 1

F

F

E

E

D

D

C

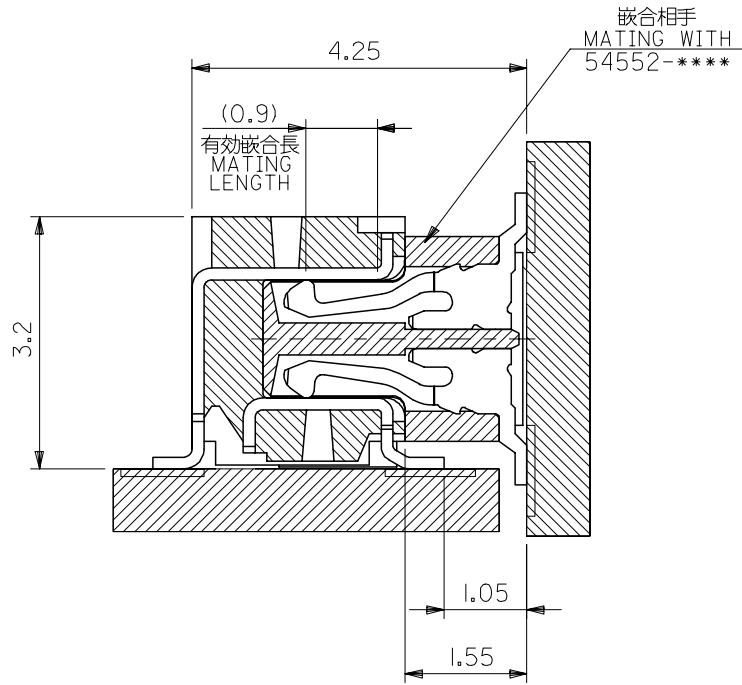
C

B

B

A

A



嵌合断面図 (参考)
MATED DRAWING (REFERENCE)

MODEL NO. 55394-****9

REVISED EC NO: J2006-1654 DRW:HYAJIMA 2005/12/27 CHK:D:TANAKA 2006/01/05 APPR:NUKITA 2006/01/10	GENERAL TOLERANCES (UNLESS SPECIFIED)		DIMENSION STYLE MM ONLY		SCALE ---	DESIGN UNITS METRIC	THIRD ANGLE PROJECTION	
	10 UNDER	±0.2	DRAWN BY HKAWABAT	DATE 2004/05/06	TITLE 0.4 B/B CONN.PLUG ASS'Y (R/A) W/O BOSS -LEAD FREE-			
	10 OVER 30 UNDER	±0.25	CHECKED BY KTOJO	DATE 2004/05/06				
	30 OVER	±0.3	APPROVED BY MSASAO	DATE 2004/05/06	MOLEX INCORPORATED			
	ANGULAR	±3 °	MATERIAL NO. SEE CHART					
DRAFT WHERE APPLICABLE MUST REMAIN WITHIN DIMENSIONS		SIZE A3		THIS DRAWING CONTAINS INFORMATION THAT IS PROPRIETARY TO MOLEX INCORPORATED AND SHOULD NOT BE USED WITHOUT WRITTEN PERMISSION				

9

8

7

6

5

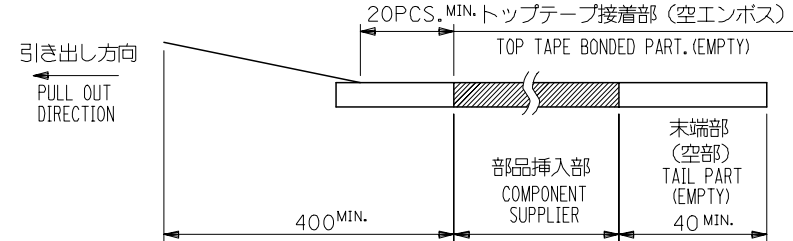
4

3

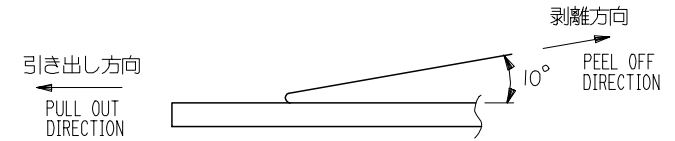
2

NOTES

- 梱包数量：1500個/リール
NUMBER OF CONNECTORS : 1500PCS/REEL
- リードテープ長さ LEAD TAPE LENGTH



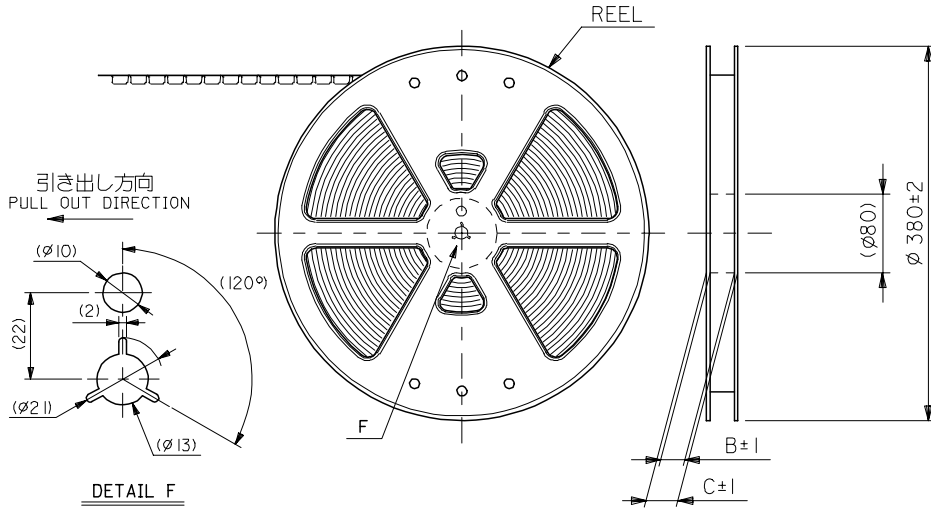
- トップテープの剥離強度：0.1～1.3N {10～130gf}
(剥離方向は下図参照)
尚、本規格値は出荷時に適用。(但し、輸送時に剥離が発生しないこと。)
PEELING OFF FORCE OF TOP TAPE : 0.1～1.3N {10～130gf}
(PEELING DIRECTION AS SHOWN IN FOLLOWING FIG.)
THIS REQUIREMENT SHOULD BE APPLIED AT SHIPMENT.
PEEL OFF SHOULD NOT BE ALLOWED , DURING TRANSPORTATION.



- 材料(MATERIAL)
キャリアテープ(CARRIER TAPE)：ポリプロピレン(POLYPROPYLENE)
トップテープ(TOPTAPE)：PET , PE , PEF
リール(REEL)：ポリスチレン(P.S) <リサイクル材を含む>
POLYSTYRENE(PS) <RECYCLE MATERIAL CONTAINED>

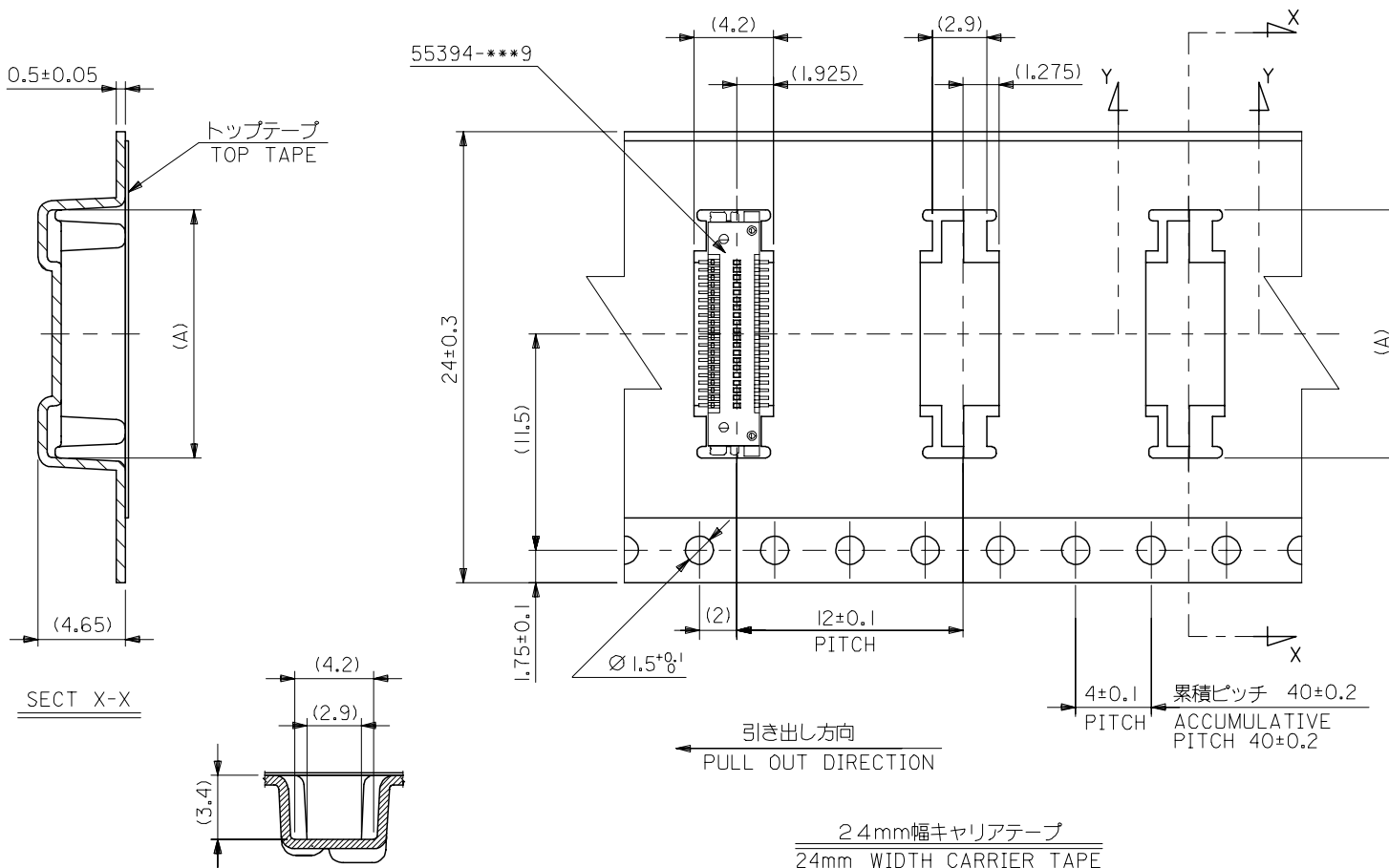
- 本製品は 55394-***6 の鉛フリー品である。
THIS PRODUCT IS LEAD FREE OF 55394-***6.

55394-9070	90
55394-8070	80
55394-4070	40
55394-3070	30
55394-2070	20
MATERIAL. NO.	極数 CIRCUIT



MODEL NO. 55394-***70

REVISED EC NO: J2006-1654 DRW:HYAJIMA 2005/12/27 CHK:D:TANAKA 2006/01/05 APPR:NUKITA 2006/01/10	GENERAL TOLERANCES (UNLESS SPECIFIED)		DIMENSION STYLE MM ONLY		SCALE ---	DESIGN UNITS METRIC	THIRD ANGLE PROJECTION		
	10 UNDER	±0.2	DRAWN BY HKAWABAT	DATE 2004/05/06	TITLE 0.4 BTB CONN PLUG ASSY RA W/O BOSS EMBSTP PKG -LEAD FREE-				
	10 OVER 30 UNDER	±0.25	CHECKED BY KTOJO	DATE 2004/05/06	MOLEX INCORPORATED				
	30 OVER	±0.3	APPROVED BY MSASAO	DATE 2004/05/06	MATERIAL NO. SEE CHART		DOCUMENT NO. SD-55394-016	SHEET NO. 1 OF 4	
	ANGULAR	±3 °	DRAFT WHERE APPLICABLE MUST REMAIN WITHIN DIMENSIONS						

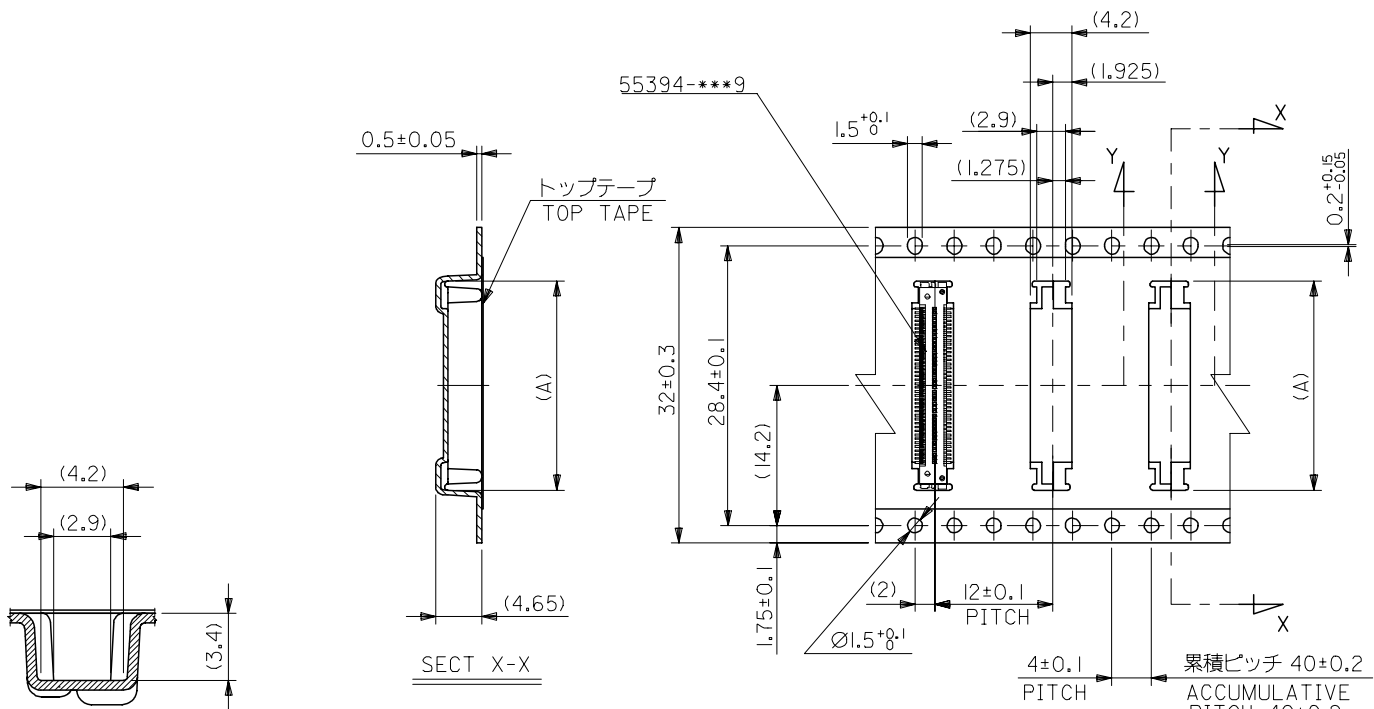


24mm幅キャリアテープ
24mm WIDTH CARRIER TAPE

24	29.4	25.4	13.2	55394-4070	40
	29.4	25.4	11.2	55394-3070	30
	29.4	25.4	9.2	55394-2070	20
キャリアテープ幅 CARRIER TAPE WIDTH	C	B	(A)	MATERIAL. NO.	極数 CIRCUIT

MODEL NO. 55394-***70

REVISED EC NO: J2006-1654 DRW:HYAJIMA 2005/12/27 CHK:D:TANAKA 2006/01/05 APPR:NUKITA 2006/01/10	GENERAL TOLERANCES (UNLESS SPECIFIED)		DIMENSION STYLE MM ONLY		SCALE ---	DESIGN UNITS METRIC	THIRD ANGLE PROJECTION
	10 UNDER	±0.2	DRAWN BY HKAWABAT	DATE 2004/05/06	TITLE 0.4 BTB CONN PLUG ASSY RA W;O BOSS EMBSTP PKG -LEAD FREE-		
	10 OVER 30 UNDER	±0.25	CHECKED BY KTOJO	DATE 2004/05/06	MOLEX INCORPORATED		
	30 OVER	±0.3	APPROVED BY MSASAO	DATE 2004/05/06	MATERIAL NO.	DOCUMENT NO. SD-55394-016	SHEET NO. 2 OF 4
	ANGULAR	±3 °	DRAFT WHERE APPLICABLE MUST REMAIN WITHIN DIMENSIONS		SIZE A3	THIS DRAWING CONTAINS INFORMATION THAT IS PROPRIETARY TO MOLEX INCORPORATED AND SHOULD NOT BE USED WITHOUT WRITTEN PERMISSION	



引き出し方向
PULL OUT DIRECTION

32mm幅キャリアテープ
32mm WIDTH CARRIER TAPE

32	37.4	33.4	21.2	55394-8070	80
キャリアテープ幅 CARRIER TAPE WIDTH	C	B	(A)	MATERIAL. NO.	極数 CIRCUIT

MODEL NO. 55394-***70

REVISED EC NO: J2006-1654 DRW:HYAJIMA 2005/12/27 CHK:D:MANAKA 2006/01/05 APPR:NUKITA 2006/01/10	GENERAL TOLERANCES (UNLESS SPECIFIED)		DIMENSION STYLE MM ONLY		SCALE ---	DESIGN UNITS METRIC	THIRD ANGLE PROJECTION
	10 UNDER	±0.2	DRAWN BY HKAWABAT	DATE 2004/05/06	TITLE 0.4 BTB CONN PLUG ASSY RA W/O BOSS EMBSTP PKG -LEAD FREE-		
	10 OVER 30 UNDER	±0.25	CHECKED BY KTOJO	DATE 2004/05/06	MOLEX INCORPORATED		
	30 OVER	±0.3	APPROVED BY MSASAO	DATE 2004/05/06	DOCUMENT NO. SD-55394-016		
	ANGULAR	±3 °	MATERIAL NO. SEE CHART		SHEET NO. 3 OF 4		
DRAFT WHERE APPLICABLE MUST REMAIN WITHIN DIMENSIONS		SIZE A3		THIS DRAWING CONTAINS INFORMATION THAT IS PROPRIETARY TO MOLEX INCORPORATED AND SHOULD NOT BE USED WITHOUT WRITTEN PERMISSION			

10 9 8 7 6 5 4 3 2 1

F

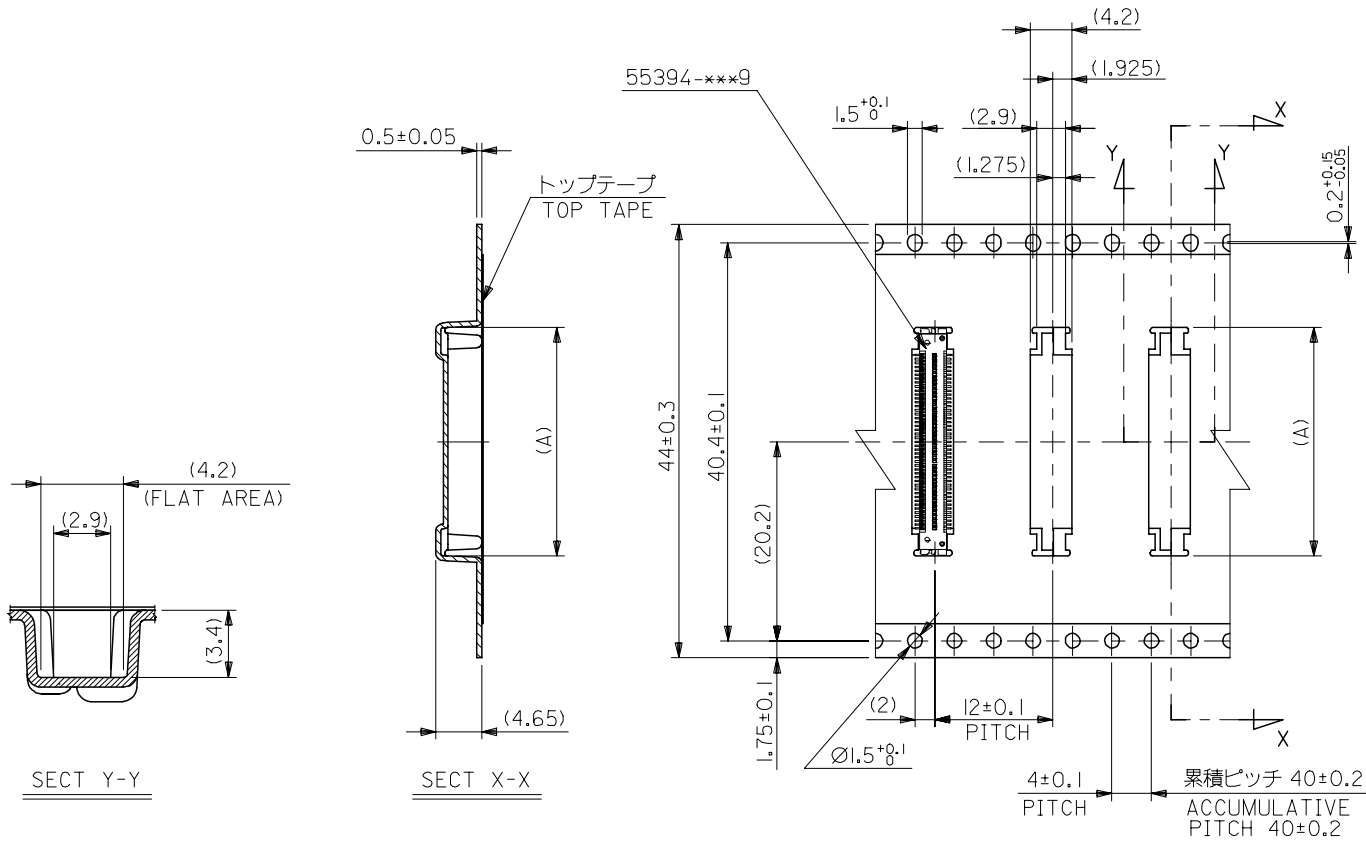
E

D

C

B

A



引き出し方向
PULL OUT DIRECTION

44mm幅キャリアテープ
44mm WIDTH CARRIER TAPE

44	49.4	45.4	23.2	55394-9070	90
キャリアテープ幅 CARRIER TAPE WIDTH	C	B	(A)	MATERIAL No.	極数 CIRCUITS

MODEL NO. 55394-***70

REVISED EC NO: J2006-1654 DRW: HVAJIMA 2005/12/27 CHK: DMTANAKA 2006/01/05 APPR: NUKITA 2006/01/10	GENERAL TOLERANCES (UNLESS SPECIFIED)		DIMENSION STYLE MM ONLY		SCALE ---	DESIGN UNITS METRIC	THIRD ANGLE PROJECTION
	10 UNDER	±0.2	DRAWN BY HKAWABAT	DATE 2004/05/06	TITLE 0.4 BTB CONN PLUG ASSY RA W/O BOSS EMBSTP PKG -LEAD FREE-		
	10 OVER 30 UNDER	±0.25	CHECKED BY KTOJO	DATE 2004/05/06	APPROVED BY MSASAO 2004/05/06		
	30 OVER	±0.3	MATERIAL NO.		DOCUMENT NO.		SHEET NO.
	ANGULAR	±3 °	SEE CHART		SD-55394-016		4 OF 4
DRAFT WHERE APPLICABLE MUST REMAIN WITHIN DIMENSIONS		THIS DRAWING CONTAINS INFORMATION THAT IS PROPRIETARY TO MOLEX INCORPORATED AND SHOULD NOT BE USED WITHOUT WRITTEN PERMISSION					