

**PLEASE CHECK WWW.MOLEX.COM FOR LATEST PART INFORMATION**

**Part Number:** [55482-0439](#)  
**Status:** **Active**  
**Overview:** Mini Mi II™  
**Description:** 1.25mm Pitch Mini Mi II™ Wire-to-Wire Adapter, without Panel Mount Clip, 4 Circuits, Lead-Free

**Documents:**

[3D Model](#) [Product Specification PS-55482-006 \(PDF\)](#)  
[Drawing \(PDF\)](#) [RoHS Certificate of Compliance \(PDF\)](#)

**General**

Product Family	Accessories
Series	<a href="#">55482</a>
Component Type	Adapter
Overview	<a href="#">Mini Mi II™</a>
Product Name	Mini Mi II™
UPC	822348171132

**Physical**

Circuits (Loaded)	4
Color - Resin	Natural
Gender	Male
Material - Metal	Brass
Material - Plating Mating	Tin
Material - Plating Termination	Tin
Material - Resin	Nylon
Net Weight	438.080/mg
Number of Rows	1
Packaging Type	Bag
Plating min - Mating	1.016µm
Plating min - Termination	1.016µm
Temperature Range - Operating	-20°C to +80°C

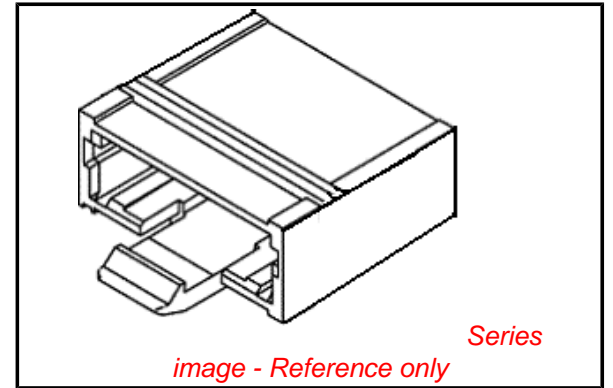
**Electrical**

Current - Maximum per Contact	1.5A
-------------------------------	------

**Material Info**

**Reference - Drawing Numbers**

Product Specification	PS-55482-006
Sales Drawing	SD-55482-005



**EU RoHS**

**ELV and RoHS Compliant**  
**REACH SVHC**  
**Contains SVHC: No**  
**Low-Halogen Status**  
**Low-Halogen**

**China RoHS**



**Need more information on product environmental compliance?**

Email [productcompliance@molex.com](mailto:productcompliance@molex.com)  
 For a multiple part number RoHS Certificate of Compliance, [click here](#)

Please visit the [Contact Us](#) section for any non-product compliance questions.

**Search Parts in this Series**

[55482Series](#)

**Use With**

[54596 IDT Housing](#)