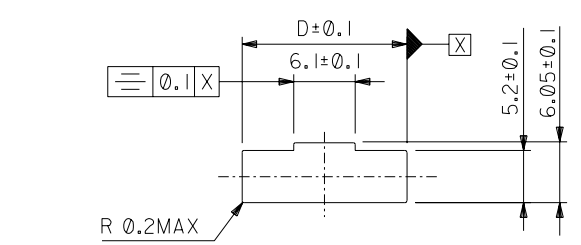
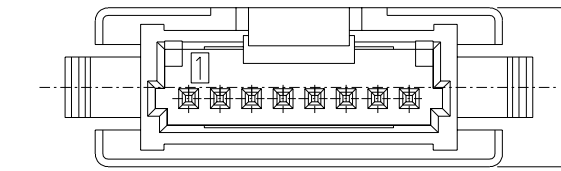
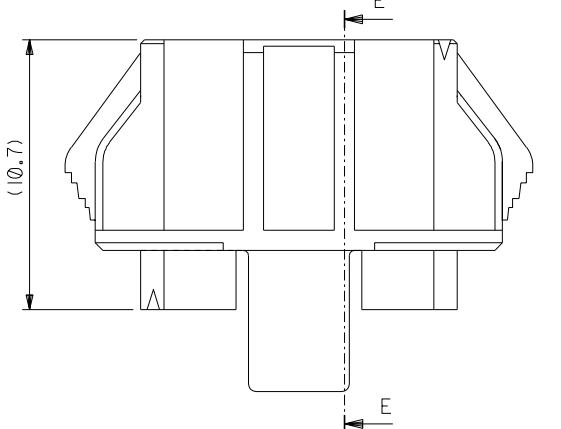
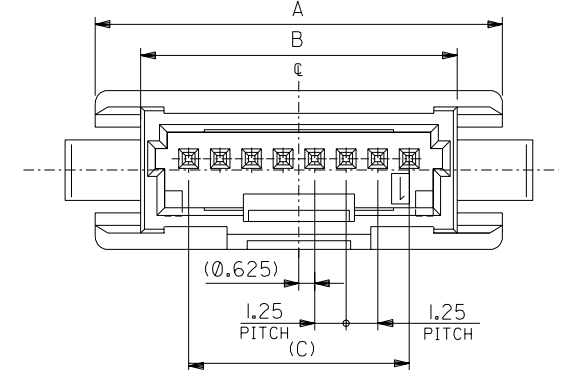
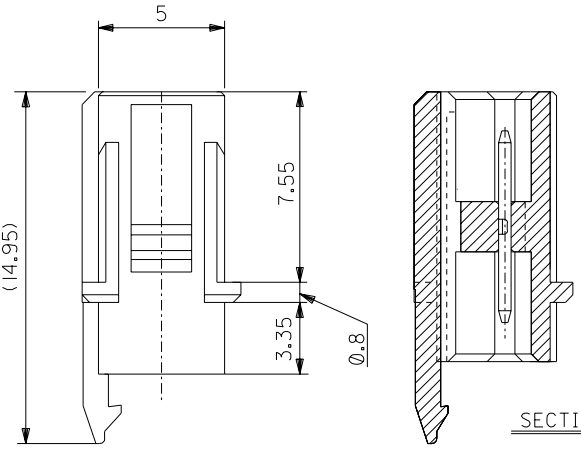


DO NOT SCALE DRAWING

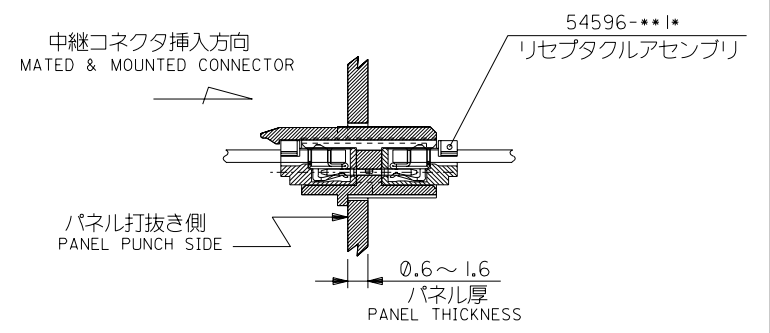
DWG. NO. SD-55482-004



推奨パネル加工寸法 (SCALE:2-1)
RECOMMENDED PANEL CUT DIMENSION



- 注記 1.材質 MATERIAL
 WAFER:66NYLON、UL94-V0
 WAFER:66NYLON, UL94-V0
 PIN:黄銅、銅下地 錫メッキ
 PIN:BRASS, PRE-TINNED
- 2.嵌合相手 MATE WITH
 リセプタクルアセンブリ:54596-***1*
 REC,ASS'Y:54596-***1*
 PIN:リン青銅、錫メッキ
 PIN:PHOSPHOR BRONZE, PRE-TINNED
- 3.本製品は55482-***10の鉛フリー品である。
 THIS PRODUCT IS LEAD FREE OF 55482-***10.



嵌合状態図
MATED & MOUNTED CONNECTOR

D	C	B	A	MATERIAL NO.	CIRCUITS
31.35	23.75	27.55	31.15	55482-2019	20
30.1	22.5	26.3	29.9	55482-1919	19
28.85	21.25	25.05	28.65	55482-1819	18
27.6	20	23.8	27.4	55482-1719	17
26.35	18.75	22.55	26.15	55482-1619	16
25.1	17.5	21.3	24.9	55482-1519	15
23.85	16.25	20.05	23.65	55482-1419	14
22.6	15	18.8	22.4	55482-1319	13
21.35	13.75	17.55	21.15	55482-1219	12
20.1	12.5	16.3	19.9	55482-1119	11
18.85	11.25	15.05	18.65	55482-1019	10
17.6	10	13.8	17.4	55482-0919	9
16.35	8.75	12.55	16.15	55482-0819	8
15.1	7.5	11.3	14.9	55482-0719	7
13.85	6.25	10.05	13.65	55482-0619	6
12.6	5	8.8	12.4	55482-0519	5
11.35	3.75	7.55	11.15	55482-0419	4
10.1	2.5	6.3	9.9	55482-0319	3
8.85	1.25	5.05	8.65	55482-0219	2

EC NO. DRAWN: CHK: APPR:	EC NO. DRAWN: CHK: APPR:	EC NO. DRAWN: CHK: APPR:	EC NO. DRAWN: CHK: APPR:	EC NO. DRAWN: CHK: APPR:	EC NO. J2004-4139 DRWN: Y.SAKIYAMA CHK: M.SASAO APPR: M.SASAO RELEASED '04/05/10	MATERIAL 材料 注記参照 SEE NOTES FINISH 仕上げ 注記参照 SEE NOTES WIRE RANGE 適用電線範囲 INS. RANGE 被覆外径	GENERAL TOLERANCES: (UNLESS SPECIFIED) 一般公差 10 UNDER 未満 ±0.2 10 OVER 以上 30 UNDER 未満 ±0.25 30 OVER 以上 ±0.3 ANGLE 角度 ±3°	55482-***19 SCALE 5:1 DESIGN UNITS mm INCH DRAWN BY & DATE Y. Sakiyama '04/05/10 CHECKED BY & DATE H. Sasaki '04/05/10 APPROVED BY & DATE H. Sasaki '04/05/10 CAD FILENAME SD-55482-004.S01	MODEL NO. DIMENSIONS: THIRD ANGLE PROJECTION mm INCH TITLE: Mini Mi II I-ROW RELAY WAFER ASS'Y -LEAD FREE- MOLEX MOLEX INCORPORATED	SHT 10F REV 1 REVISION ON CAD ONLY MATERIAL NO. SEE CHART DRAWING NO. SD-55482-004 SHEET NO. 1 OF 1 THIS DRAWING CONTAINS INFORMATION THAT IS PROPRIETARY TO MOLEX INCORPORATED AND SHOULD NOT BE USED WITHOUT WRITTEN PERMISSION.	SIZE B EN-02J(097) MXJ-54
-----------------------------------	-----------------------------------	-----------------------------------	-----------------------------------	-----------------------------------	--	---	--	--	--	--	------------------------------