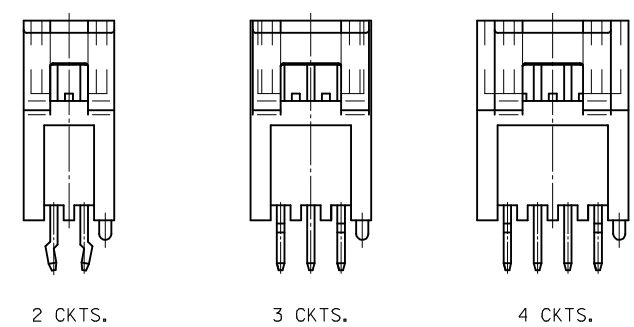
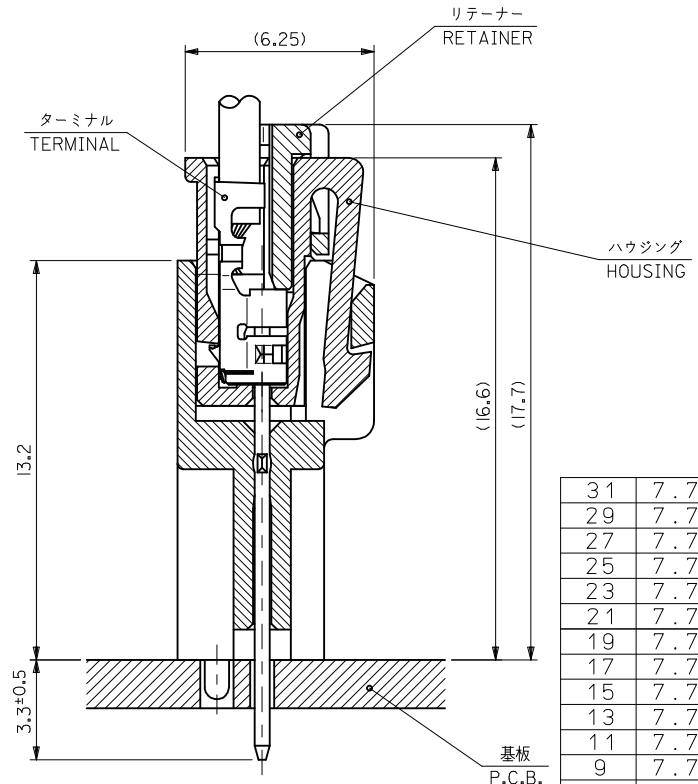


注記  
NOTE

1. 材料 MATERIAL  
 ピン : 黄銅, 銅下地錫メッキ  
 PIN : BRASS, Sn OVER Cu PLATED  
 ヘッダー : 66ナイロン ( ガラス入り : 25% ), UL94V-0  
 ( 色 : 自然色 又は 染色 )  
 HEADER : NYLON66 ( G.F. : 25% ), UL94V-0  
 ( COLOR : NATURAL OR DYED COLOR )
2. 嵌合相手 : 51216シリーズ  
 MATE WITH : 51216 SERIES
3. ソルダータールキックは、両端のピンのみとする。  
 KINK TO BE APPLIED FOR 2 PINS AT BOTH ENDS.
- △ 偶数極に適用。  
 APPLY EVEN CIRCUIT PRODUCTS.
5. 本製品は 55487-\*\*10/-\*\*12/-\*\*13/\*\*14/\*\*16 の鉛フリー品である。  
 THIS PRODUCT IS LEAD FREE OF 55487-\*\*10/-\*\*12/-\*\*13/\*\*14/\*\*16.
6. ELV及びRoHS適合品  
 ELV AND RoHS COMPLIANT

REVISED EC NO: J2009-2704 DRWN: YSHIBATA 2009/06/10 CHKD: THARUYAMA 2009/06/11 APPR: NUKITA 2009/06/11	DESCRIPTION	GENERAL TOLERANCES (UNLESS SPECIFIED)		DIMENSION STYLE MM ONLY		SCALE 4:1	DESIGN UNITS METRIC	THIRD ANGLE PROJECTION	
		10 UNDER	±0.2	DRAWN BY M. NABEI	DATE '05/05/20	TITLE 2.0 MM W TO B CONN. HEADER ASS'Y (ST.) -LEAD FREE-			
		10 OVER 30 UNDER	±0.25	CHECKED BY K. TOJO	DATE '05/05/20	MOLEX INCORPORATED			
		30 OVER	±0.3	APPROVED BY N. UKITA	DATE '05/05/20	DOCUMENT NO. SD-55487-007			
REV	DESCRIPTION	ANGULAR ±3 ° DRAFT WHERE APPLICABLE MUST REMAIN WITHIN DIMENSIONS		MATERIAL NO. 55487-**19/-**2*	SIZE A3	SHEET NO. 1 OF 2			

10 9 8 7 6 5 4 3 2 1



極数レイアウト図  
LAYOUT OF EACH CKTS.

嵌合断面図 (参考)  
LAYOUT OF EACH CKTS.

31	7.7	28	32	55487-1526		55487-1523	55487-1522	55487-1519	15
29	7.7	26	30	55487-1426		55487-1423	55487-1422	55487-1419	14
27	7.7	24	28					55487-1319	13
25	7.7	22	26	55487-1226		55487-1223	<b>55487-1222</b>	55487-1219	12
23	7.7	20	24			55487-1123		55487-1119	11
21	7.7	18	22	55487-1026	55487-1024	55487-1023	55487-1022	55487-1019	10
19	7.7	16	20	55487-0926		55487-0923	55487-0922	55487-0919	9
17	7.7	14	18	55487-0826		55487-0823	55487-0822	55487-0819	8
15	7.7	12	16					55487-0719	7
13	7.7	10	14					55487-0619	6
11	7.7	8	12	55487-0526		55487-0523	55487-0522	55487-0519	5
9	7.7	6	10					55487-0419	4
7	7.7	4	8					55487-0319	3
5	6	2	6					55487-0219	2
D	C	B	A	COLOR : GREEN 色 : 緑	COLOR : BLUE 色 : 青	COLOR : YELLOW 色 : 黄	COLOR : RED 色 : 赤	COLOR : WHITE 色 : 白	CKT 極数
TRAY PACKAGE									
オーダー番号 ORDER NO.									
CONNECTOR SERIES NO. 55487-****									

REVISED EC NO: J2009-2704 DRWN: YSHIBATA 2009/06/10 CHKD: THARUYAMA 2009/06/11 APPR: NUKITA 2009/06/11	GENERAL TOLERANCES (UNLESS SPECIFIED)		DIMENSION STYLE MM ONLY		SCALE ---	DESIGN UNITS METRIC	THIRD ANGLE PROJECTION		
	10 UNDER	±0.2	DRAWN BY M. NABEI	DATE '05/05/20	TITLE 2.0 MM W TO B CONN. HEADER ASS'Y (ST.) -LEAD FREE-				
	10 OVER 30 UNDER	±0.25	CHECKED BY K. TOJO	DATE '05/05/20	MOLEX INCORPORATED DOCUMENT NO. SD-55487-007 SHEET NO. 2 OF 2				
	30 OVER	±0.3	APPROVED BY N. UKITA	DATE '05/05/20					
ANGULAR ±3 °		MATERIAL NO. 55487-**19/-**2*		THIS DRAWING CONTAINS INFORMATION THAT IS PROPRIETARY TO MOLEX INCORPORATED AND SHOULD NOT BE USED WITHOUT WRITTEN PERMISSION					
DRAFT WHERE APPLICABLE MUST REMAIN WITHIN DIMENSIONS		SIZE A3							