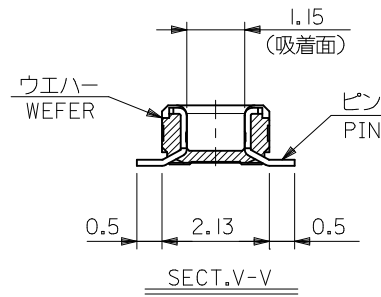
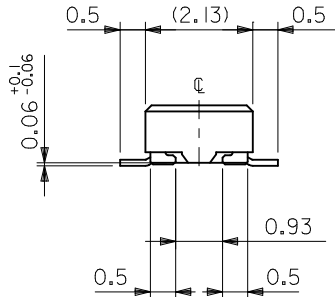


注記 NOTES:

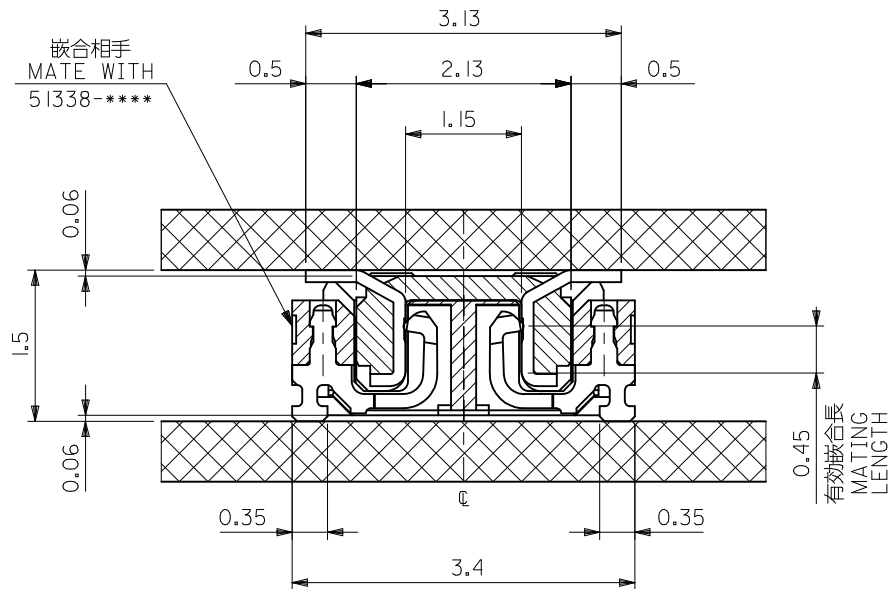
1. 使用材料 MATERIAL  
 ウエハー: 液晶ポリマー (LCP) ガラス充填 UL94V-0 (黒)  
 WAFER: LIQUID CRYSTAL POLYMER (GLASS FILLED)  
 UL94V-0 (COLOR: BLACK)  
 ピン: 黄銅 (t=0.12)  
 PIN: BRASS (t=0.12)  
 金具: リン青銅 (t=0.2)  
 FITTING NAIL: PHOSPHOR BRONZE (t=0.2)
2. メッキ仕様 PLATING  
 ピン PIN  
 金メッキ 0.2 マイクロメートル以上 (コンタクト部)  
 GOLD 0.2MICROMETER MINIMUM (CONTACT AREA)  
 金メッキ 0.4 マイクロメートル以下 (テール部)  
 GOLD 0.4MICROMETER MAXIMUM (TAIL AREA)  
 下地メッキ: ニッケルメッキ 1.5 マイクロメートル以上  
 UNDER PLATING: NICKEL 1.5MICROMETER MINIMUM  
 金具 FITTING NAIL  
 錫メッキ 1.0 マイクロメートル以上  
 TIN PLATING 1.0MICROMETER MINIMUM  
 下地メッキ: ニッケルメッキ 1.0 マイクロメートル以上  
 UNDER PLATING: NICKEL 1.0MICROMETER MINIMUM

- △ (全極数/2) = 偶数の場合に適用。  
 APPLY FOR (CIRCUIT/2)=EVEN.
4. 嵌合相手: 51338シリーズ  
 MATE WITH: 51338 SERIES.
  5. テール平坦度は、0.08以下  
 テール及び金具の平坦度は、0.1以下  
 TAIL COPLANARITY TO BE 0.08 MAXIMUM  
 TAIL AND FITTING NAIL  
 COPLANARITY TO BE 0.1 MAXIMUM
  6. 本製品は 55909-\*\*\*3 の鉛フリー品である。  
 THIS PRODUCT IS LEAD FREE OF 55909-\*\*\*3.
  7. ELV及びRoHS適合品  
 ELV AND RoHS COMPLIANT.

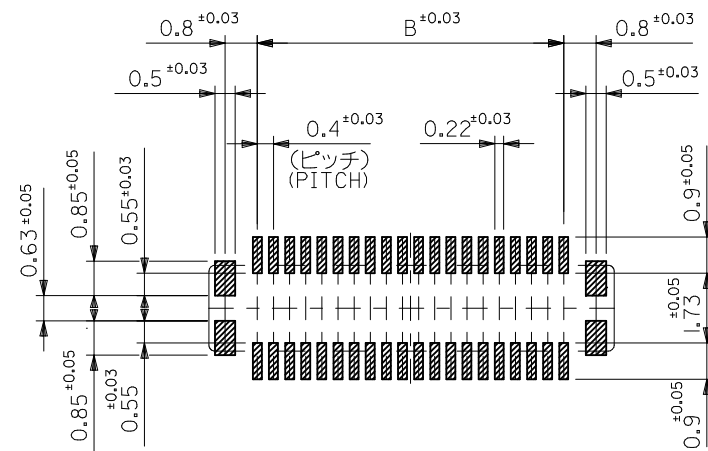


14.0	12.4	14.8	55909-6472	64
12.0	10.4	12.8	55909-5472	54
10.0	8.4	10.8	55909-4472	44
3.2	1.6	4.0	55909-9872	10
C	B	A	EMBOSSED TAPE PKG ORDER No. オーダー番号	極数 CIRCUIT

REVISED EC NO: J2010-2586 DRWN: YON002 CHKD: S. MARUYAMA APPR: MSASAO	DESCRIPTION REV	GENERAL TOLERANCES (UNLESS SPECIFIED)		DIMENSION STYLE MM ONLY		SCALE ---		DESIGN UNITS METRIC		THIRD ANGLE PROJECTION	
		10 UNDER	±0.2	DRAWN BY	DATE	TITLE					
		10 OVER 30 UNDER	±0.25	Y. NUKANOBU	2010/01/25	0.4 B-TO-B CONN. PLUG ASSY (HGT=1.5) WITH NAIL					
		30 OVER	±0.3	S. MARUYAMA	2010/01/25						
ANGULAR ±3 °		DRAFT WHERE APPLICABLE MUST REMAIN WITHIN DIMENSIONS		APPROVED BY	DATE	MOLEX INCORPORATED		CONNECTOR SERIES No.: 55909-***73			
				MATERIAL NO.	DATE	DOCUMENT NO.		SHEET NO.			
				SEE TABLE		SD-55909-005		1 OF 2			
				THIS DRAWING CONTAINS INFORMATION THAT IS PROPRIETARY TO MOLEX INCORPORATED AND SHOULD NOT BE USED WITHOUT WRITTEN PERMISSION							



嵌合断面図 (参考)  
MATED DRAWING (REFERENCE)

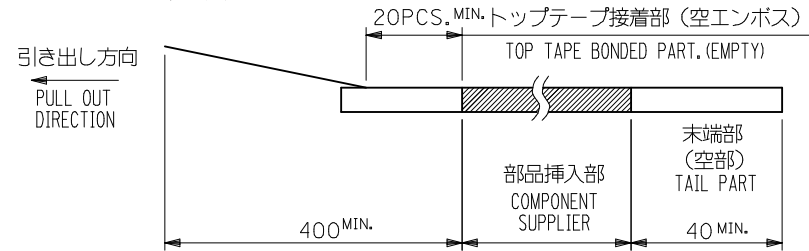
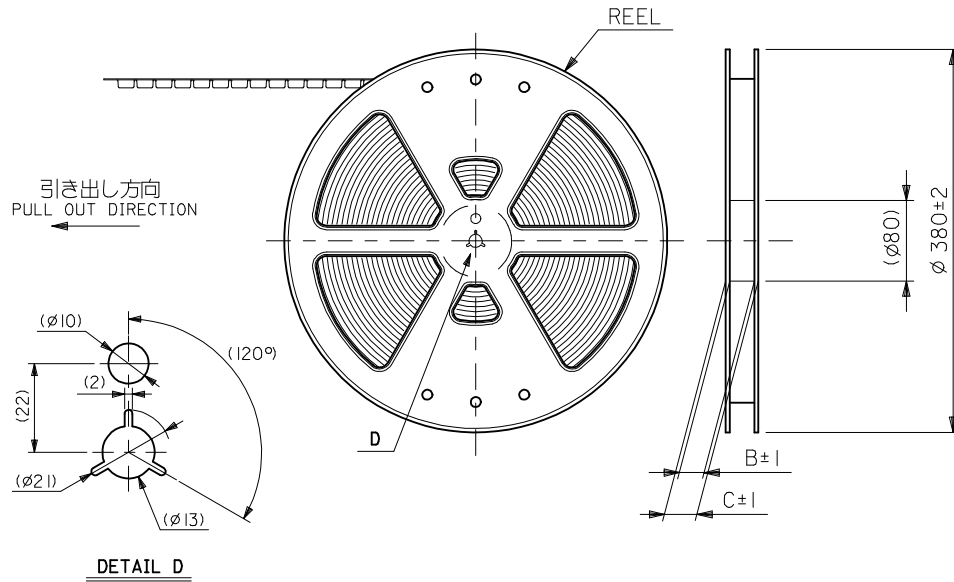


参考基板レイアウト (マウント面)  
P.W.BOARD PATTERN DIMENSION (REFERENCE)  
(MOUNTING AREA)

REVISED	EC NO: J2010-2586	2010/06/24	GENERAL TOLERANCES (UNLESS SPECIFIED)		DIMENSION STYLE		SCALE	DESIGN UNITS	CONNECTOR SERIES No.: 55909-**73	
	DRWN: YON002	2010/06/29	10 UNDER	± 0.2	MM ONLY		---	METRIC	THIRD ANGLE PROJECTION	
	CHK'D: S. MARUYAMA	2010/06/29	10 OVER 30 UNDER	± 0.25	DRAWN BY DATE		TITLE			
	APPR: MSASAO	2010/06/29	30 OVER	± 0.3	Y. NUKANOBU 2010/01/25		0.4 B-TO-B CONN. PLUG ASSY (HGT=1.5) WITH NAIL			
	REV	DESCRIPTION	ANGULAR ±3 °		CHECKED BY DATE		MOLEX INCORPORATED			
		DRAFT WHERE APPLICABLE MUST REMAIN WITHIN DIMENSIONS		M. SASAO 2010/01/25		MATERIAL NO.		DOCUMENT NO.		SHEET NO.
B				SEE SHEET 1		SD-55909-005		2 OF 2		
THIS DRAWING CONTAINS INFORMATION THAT IS PROPRIETARY TO MOLEX INCORPORATED AND SHOULD NOT BE USED WITHOUT WRITTEN PERMISSION										

NOTES

- 製品詳細寸法については、SD-55909-005 を参照下さい。  
RE DETAILED DIMENSION, SEE PRODUCT DRAWING SD-55909-005.
- 梱包数量：2500個/リール  
NUMBER OF CONNECTORS : 2500PCS/REEL
- リードテープ長さ LEAD TAPE LENGTH



4.材料

- キャリアテープ : PS
- トップテープ : PS, OTHER
- リール : PS<リサイクル材を含む>

MATERIAL

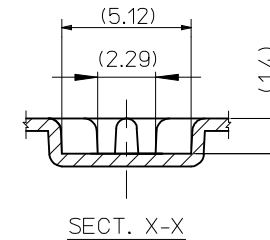
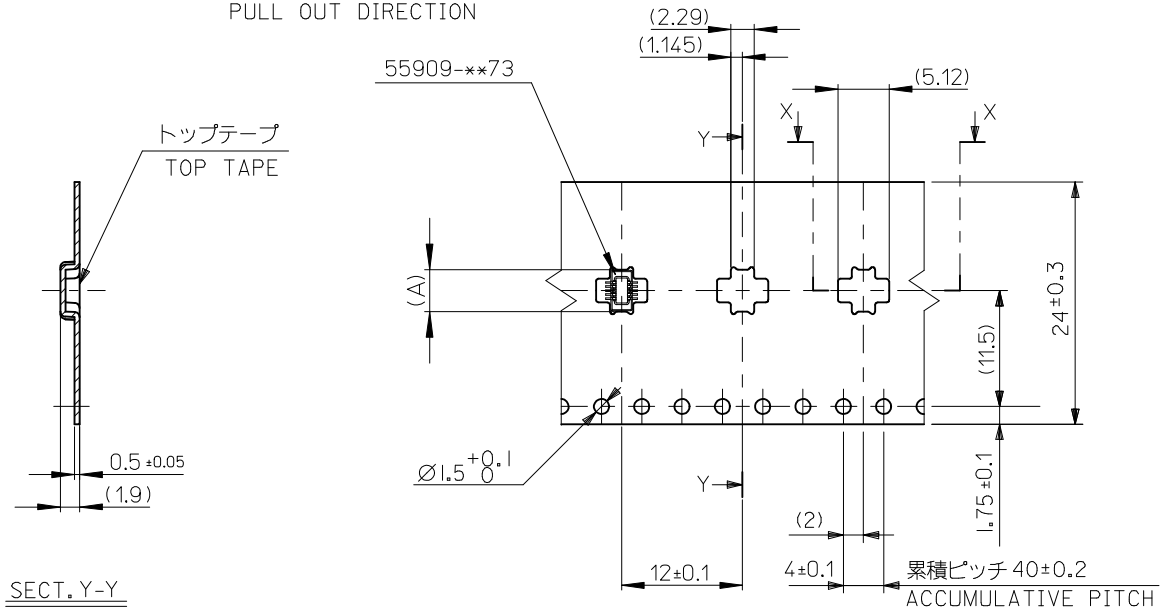
- CARRIER TAPE : PS
- TOP TAPE : PS, OTHER
- REEL : PS <RECYCLE MATERIAL CONTAINED>

5.ELV 及び RoHS 適合品。

ELV AND RoHS COMPLIANT.

REVISED EC NO.: J2015-0987 DRWN:KMIYAHARA 2015/01/28 CHKD:KTAKAKO3 2015/09/07 APPR:KMORIKAWA 2015/09/11	GENERAL TOLERANCES (UNLESS SPECIFIED)		DIMENSION STYLE MM ONLY		SCALE ---	DESIGN UNITS METRIC	MODEL NO. 55909-**-72	THIRD ANGLE PROJECTION
	0.25 UNDER	UNDER	±0.03	DRAWN BY YON002	DATE 2010/06/23	TITLE 0.4 B-TO-B CONN PLUG ASSY(HGT=1.5) EMBSTP PKG		
	0.25 OVER	0.5 UNDER	±0.05	CHECKED BY	DATE	APPROVED BY MSASAO		
	0.5 OVER	1.0 UNDER	±0.1	APPROVED BY MSASAO	DATE 2010/06/29	DOCUMENT NO. SD-55909-006		
	1.0 OVER	10 UNDER	±0.2	MATERIAL NO. SEE CHART		SHEET NO. 1 OF 3		
10 OVER	30 UNDER	±0.25	DRAFT WHERE APPLICABLE MUST REMAIN WITHIN DIMENSIONS		THIS DRAWING CONTAINS INFORMATION THAT IS PROPRIETARY TO MOLEX INCORPORATED AND SHOULD NOT BE USED WITHOUT WRITTEN PERMISSION			
30 OVER		±0.3	SIZE A3					
ANGULAR	±3 °							

引き出し方向  
PULL OUT DIRECTION



SECT. Y-Y

注記) 製品がポケット内に問題なく収まること。  
NOTE. Pocket should contain product smoothly.

24	29.4	25.4	4.16	55909-9872	10
キャリアテープ幅 CARRIER TAPE WIDTH	C	B	(A)	オーダー番号 ORDER NO.	極数 CIRCUITS

SEE SHEET 1 OF 3 EC NO.: J2015-0987 DRW: KMIYAHARA 2015/01/28 CHKD: KTANAKA03 2015/09/07 APP: KMORIKAWA 2015/09/11	GENERAL TOLERANCES (UNLESS SPECIFIED)		DIMENSION STYLE MM ONLY	SCALE ---	DESIGN UNITS METRIC	MODEL NO. 55909-**72	THIRD ANGLE PROJECTION
	0.25 UNDER	UNDER	± 0.03	DRAWN BY YON002	DATE 2010/06/23	TITLE 0.4 B-T0-B CONN PLUG ASSY(HGT=1.5) EMBSTP PKG	
	0.25 OVER	0.5 UNDER	± 0.05	CHECKED BY	DATE	APPROVED BY MSASAO	
	0.5 OVER	1.0 UNDER	± 0.1	APPROVED BY MSASAO	DATE 2010/06/29	DOCUMENT NO. SD-55909-006	
	1.0 OVER	10 UNDER	± 0.2	MATERIAL NO.	DATE	SHEET NO. 2 OF 3	
10 OVER	30 UNDER	± 0.25	SEE CHART		THIS DRAWING CONTAINS INFORMATION THAT IS PROPRIETARY TO MOLEX INCORPORATED AND SHOULD NOT BE USED WITHOUT WRITTEN PERMISSION		
30 OVER		± 0.3	SIZE A3				
ANGULAR		± 3 °	DRAFT WHERE APPLICABLE MUST REMAIN WITHIN DIMENSIONS				

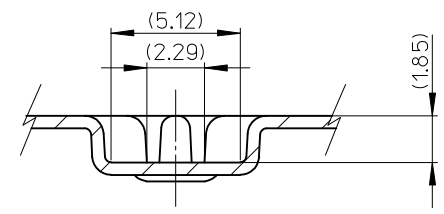
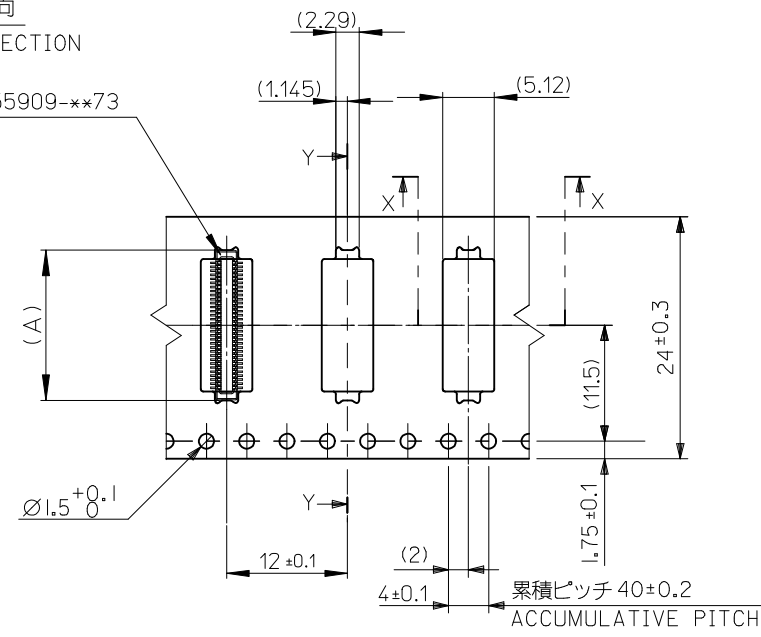
引き出し方向  
PULL OUT DIRECTION

トップテープ  
TOP TAPE

55909-\*\*-73

0.5±0.05  
(2.6)

SECT. Y-Y



SECT. X-X

注記) 製品がポケットに問題なく収まること。  
NOTE. Pocket should contain product smoothly.

24	29.4	25.4	14.96	55909-6472	64
			12.96	55909-5472	54
			10.96	55909-4472	44
キャリアテープ幅 CARRIER TAPE WIDTH	C	B	(A)	オーダー番号 ORDER NO.	極数 CIRCUITS

SEE SHEET 1 OF 3 EC NO.: J2015-0987 DRW: KMIYAHARA 2015/01/28 CHK: DKTANAKA03 2015/09/07 APPR: KMORIKAWA 2015/09/11	GENERAL TOLERANCES (UNLESS SPECIFIED)			DIMENSION STYLE MM ONLY		SCALE ---	DESIGN UNITS METRIC	55909-**-72 MODEL NO.	
	0.25 UNDER	UNDER	±0.03	DRAWN BY	DATE	TITLE			
	0.25 OVER	0.5 UNDER	±0.05	YON002	2010/06/23	0.4 B-T0-B CONN PLUG ASSY(HGT=1.5) EMBSTP PKG			
	0.5 OVER	1.0 UNDER	±0.1	CHECKED BY	DATE				
	1.0 OVER	10 UNDER	±0.2	APPROVED BY	DATE				
10 OVER	30 UNDER	±0.25	MSASAO	2010/06/29	MATERIAL NO.		DOCUMENT NO.		
30 OVER		±0.3	SEE CHART		SD-55909-006		SHEET NO.		
ANGULAR	±3 °		THIS DRAWING CONTAINS INFORMATION THAT IS PROPRIETARY TO MOLEX INCORPORATED AND SHOULD NOT BE USED WITHOUT WRITTEN PERMISSION						
DRAFT WHERE APPLICABLE MUST REMAIN WITHIN DIMENSIONS			SIZE A3						