

NOTE

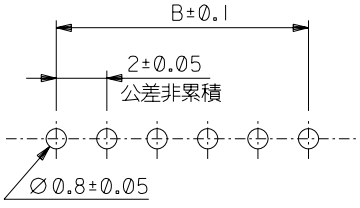
1. 嵌合相手: 51382-****
2. 偶数極(列)に適用。
3. キンフは両外側の位置に付加。

製品番号 MATERIAL NO.
55932-****

極数 CIRCUIT SIZE

色 COLOR

30	自然色(白) NATURAL(WHITE)
31	黒 BLACK
32	赤 RED
33	黄 YELLOW
34	青 BLUE
35	桃 PINK
36	緑 GREEN
37	茶 BROWN
38	橙 ORANGE
39	紫 VIOLET
51	灰 GRAY
53	蛍光黄 FLUORESCENT YELLOW
54	水 PALE BLUE
55	蛍光桃 FLUORESCENT PINK
56	黄緑 YELLOWISH GREEN
58	蛍光橙 FLUORESCENT ORANGE



推奨基板寸法
(t = 1.6)

31	28	34	55932-15**	15
29	26	32	55932-14**	14
27	24	30	55932-13**	13
25	22	28	55932-12**	12
23	20	26	55932-11**	11
21	18	24	55932-10**	10
19	16	22	55932-09**	9
17	14	20	55932-08**	8
15	12	18	55932-07**	7
13	10	16	55932-06**	6
11	8	14	55932-05**	5
9	6	12	55932-04**	4
7	4	10	55932-03**	3
5	2	8	55932-02**	2
C	B	A	△ MATERIAL NO.	CKT.

DO NOT SCALE DRAWING

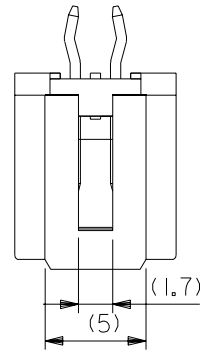
68 NO. DRWN: CH'K: APPR:	63 NO. DRWN: CH'K: APPR:	REVISED '04/05/31 62 NO. J2004-4514 DRWN: M. ERIGUCHI CH'K: K. ASAKAWA APPR: S. ICHIKAWA	REVISED '03/06/12 61 NO. J2003-3127 DRWN: N. ITO CH'K: K. ASAKAWA APPR: T. YAMAGUCHI	REVISED '03/04/04 60 NO. J2003-2421 DRWN: N. ITO CH'K: K. ASAKAWA APPR: T. YAMAGUCHI	MATERIAL 材料: 黄銅、ニッケル下地錫メッキ ハウジング: PBT
FINISH 仕上り					
WIRE RANGE 適用線径範囲					
INS. RANGE 被覆外径					

GENERAL TOLERANCES: (UNLESS SPECIFIED) 一般公差	SCALE	DESIGN UNITS <input checked="" type="checkbox"/> mm <input type="checkbox"/> INCH	PROJECTION <input checked="" type="checkbox"/> 1st ANGLE <input type="checkbox"/> 2nd ANGLE	DIMENSIONS: <input type="checkbox"/> mm <input type="checkbox"/> INCH <input checked="" type="checkbox"/> mm ONLY	SHT REV
10 UNDER 未満	±0.2	DRAWN BY & DATE T.NIITSU '02/2/8	TITLE: 2.0 W/B SINGLE CONN. PLUG HOUSING ASS'Y ST -LEAD FREE-		
10 OVER 以上	±0.25	CHECKED BY & DATE K.ASAKAWA '03/6/12	MOLEX MOLEX INCORPORATED		
30 OVER 以上	±0.3	APPROVED BY & DATE T.YAMAGUCHI '03/6/12	CAD FILENAME SD-55932-006.S01	MATERIAL NO. 55932-****	DRAWING NO. SD-55932-006
ANGLE 角度	±3°	THIS DRAWING CONTAINS INFORMATION THAT IS PROPRIETARY TO MOLEX INCORPORATED AND SHOULD NOT BE USED WITHOUT WRITTEN PERMISSION.			SHEET NO. 1 of 2

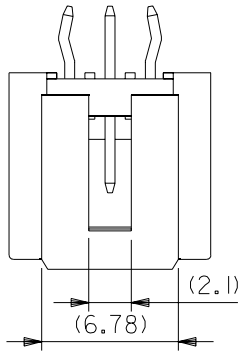
MODEL NO.: 55932-****	DIMENSIONS:	SHT	REV
10 UNDER 未満	<input type="checkbox"/> mm <input type="checkbox"/> INCH <input checked="" type="checkbox"/> mm ONLY		
10 OVER 以上			
30 OVER 以上			
ANGLE 角度			

SCALE	DESIGN UNITS <input checked="" type="checkbox"/> mm <input type="checkbox"/> INCH	PROJECTION <input checked="" type="checkbox"/> 1st ANGLE <input type="checkbox"/> 2nd ANGLE
10 UNDER 未満	±0.2	DRAWN BY & DATE T.NIITSU '02/2/8
10 OVER 以上	±0.25	CHECKED BY & DATE K.ASAKAWA '03/6/12
30 OVER 以上	±0.3	APPROVED BY & DATE T.YAMAGUCHI '03/6/12
ANGLE 角度	±3°	

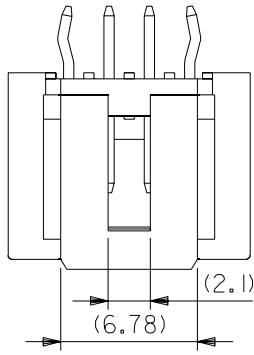
MODEL NO.: 55932-****	DIMENSIONS:	SHT	REV
10 UNDER 未満	<input type="checkbox"/> mm <input type="checkbox"/> INCH <input checked="" type="checkbox"/> mm ONLY		
10 OVER 以上			
30 OVER 以上			
ANGLE 角度			



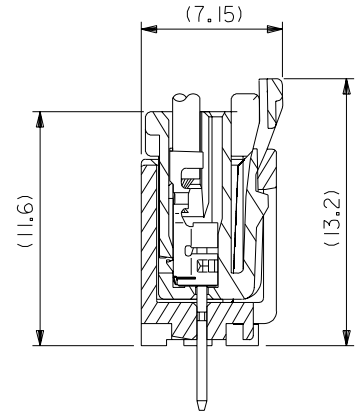
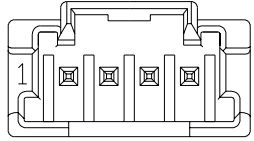
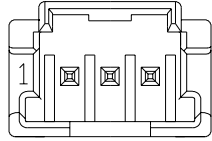
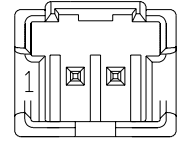
2 CIRCUIT



3 CIRCUIT



4 CIRCUIT



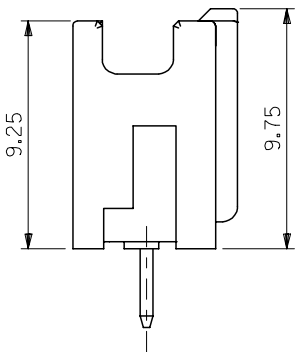
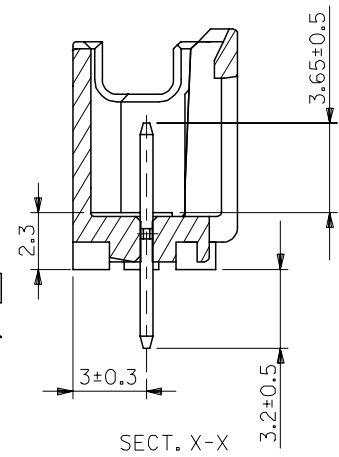
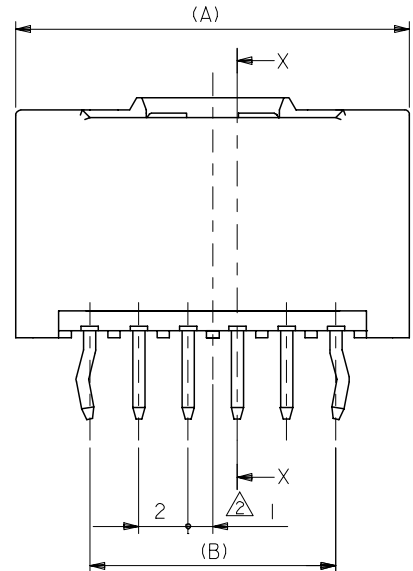
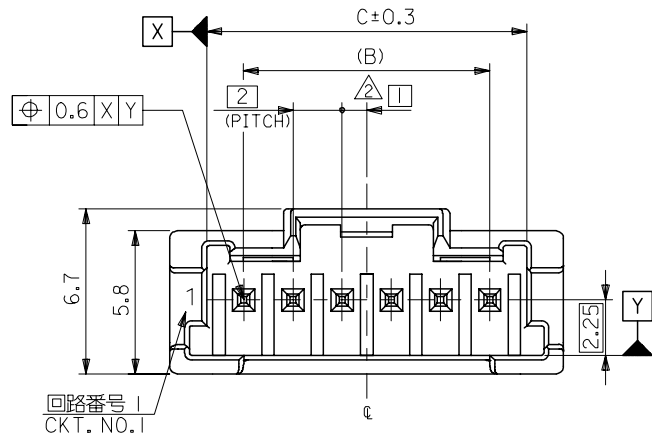
嵌合断面図

DO NOT SCALE DRAWING

E64NO. DRAWN: CHK: APPR:	E63NO. DRAWN: CHK: APPR:	REVISED '04/05/31 E62NO. J2004-4514 DRAWN: M.ERIGUCHI CHK: K.ASAKAWA APPR: S.ICHIKAWA	REVISED '03/06/12 E61NO. J2003-3127 DRAWN: N.IITO CHK: K.ASAKAWA APPR: T.YAMAGUCHI	REVISED '03/04/04 E60NO. J2003-2421 DRAWN: N.IITO CHK: K.ASAKAWA APPR: T.YAMAGUCHI	DESCRIPTION
		MATERIAL 材料 SEE SHEET 1 OF 2			
FINISH 仕上り					
WIRE RANGE 適用導線範囲					
INS. RANGE 被覆外径					

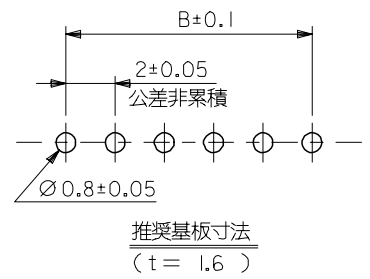
GENERAL TOLERANCES: (UNLESS SPECIFIED) 一般公差		SCALE	DESIGN UNITS <input checked="" type="checkbox"/> mm <input type="checkbox"/> INCH	PROJECTION <input checked="" type="checkbox"/> 1st ANGLE <input type="checkbox"/> mm ONLY
10 UNDER 未満	±0.2	DRAWN BY & DATE T.NIITSU '02/2/8		
10 OVER 30 UNDER 以上 未満	±0.25	CHECKED BY & DATE K.ASAKAWA '03/6/12		
30 OVER 以上	±0.3	APPROVED BY & DATE T.YAMAGUCHI '03/6/12		
ANGLE 角度	±3°	CAD FILENAME SD-55932-006.S02		

MODEL NO. : 55932-****		DIMENSIONS:		SHT	REV
		<input type="checkbox"/> mm <input type="checkbox"/> INCH <input checked="" type="checkbox"/> mm ONLY			
		TITLE: 2.0 W/B SINGLE CONN. PLUG HOUSING ASS'Y ST -LEAD FREE-			
		MOLEX INCORPORATED			
MATERIAL NO.	DRAWING NO.	SHEET NO.			
55932-****	SD-55932-006	2 of 2			
THIS DRAWING CONTAINS INFORMATION THAT IS PROPRIETARY TO MOLEX INCORPORATED AND SHOULD NOT BE USED WITHOUT WRITTEN PERMISSION.					SIZE B



NOTE

- 1. 嵌合相手：51382-****
- △ 偶数極 (列) に適用。
- 3. キングは両外側の位置に付加。
- 4. ピン：黄銅、ニッケル下地錫メッキ
ハウジング：PBT
- △ 適合リテーナー：500638シリーズ
APPLICABLE RETAINER：500638 SERIES.
- △ 製品番号 MATERIAL NO.



55932-****

極数 CIRCUIT SIZE

色 COLOR

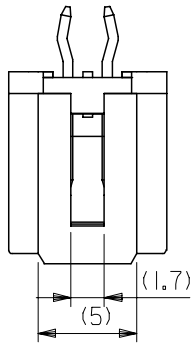
30	自然色 (白) NATURAL (WHITE)
31	黒 BLACK
32	赤 RED
33	黄 YELLOW
34	青 BLUE
35	桃 PINK
36	緑 GREEN
37	茶 BROWN
38	橙 ORANGE
39	紫 VIOLET
51	灰 GRAY
53	蛍光黄 FLUORESCENT YELLOW
54	水 PALE BLUE
55	蛍光桃 FLUORESCENT PINK
56	黄緑 YELLOWISH GREEN
58	蛍光橙 FLUORESCENT ORANGE

31	28	34	55932-15**	15
29	26	32	55932-14**	14
27	24	30	55932-13**	13
25	22	28	55932-12**	12
23	20	26	55932-11**	11
21	18	24	55932-10**	10
19	16	22	55932-09**	9
17	14	20	55932-08**	8
15	12	18	55932-07**	7
13	10	16	55932-06**	6
11	8	14	55932-05**	5
9	6	12	55932-04**	4
7	4	10	55932-03**	3
5	2	8	55932-02**	2

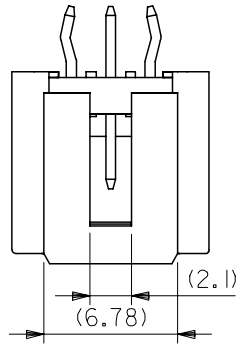
MODEL NO.: 55932-****

RELEASED EC NO: J2006-1522 DRWN: MAEDA CHKD: NUKITA APPR: NUKITA	GENERAL TOLERANCES (UNLESS SPECIFIED)		DIMENSION STYLE MM ONLY		SCALE ---	DESIGN UNITS METRIC	THIRD ANGLE PROJECTION			
	10 UNDER	±0.2	DRAWN BY YMAEDA		DATE 2005/06/13	TITLE 2.0 W/B CONN.PLUG HOUSING ASS'Y WO BOSS -LEAD FREE-				
	10 OVER 30 UNDER	±0.25	CHECKED BY MTANAKA		DATE 2005/06/13					
	30 OVER	±0.3	APPROVED BY NUKITA		DATE 2005/06/13	MOLEX INCORPORATED				
	ANGULAR	±3 °	MATERIAL NO.		DOCUMENT NO.					SHEET NO.
0	DRAFT WHERE APPLICABLE MUST REMAIN WITHIN DIMENSIONS		SIZE A3		SEE CHART		SD-55932-007		1 OF 2	

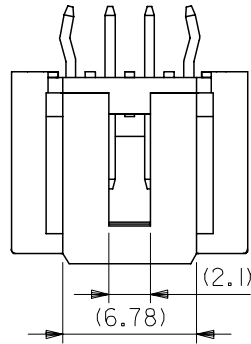
10 9 8 7 6 5 4 3 2 1



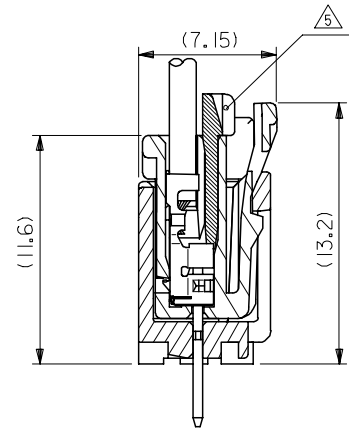
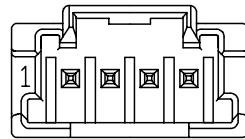
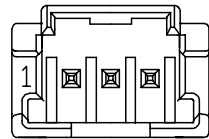
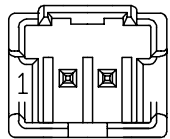
2 CIRCUIT



3 CIRCUIT



4 CIRCUIT



嵌合断面図

MODEL NO. : 55932-****

RELEASED EC NO: J2006-1522 DRWN: MAEDA CHK: NUKITA APPR: NUKITA 0	2005/11/08 2005/11/08 2005/11/09	GENERAL TOLERANCES (UNLESS SPECIFIED)		DIMENSION STYLE MM ONLY	SCALE ---	DESIGN UNITS METRIC	THIRD ANGLE PROJECTION	
	10 UNDER ± 0.2		10 ^{OVER} 30 UNDER ± 0.25		DRAWN BY YMAEDA		DATE 2005/06/13	
	30 ^{OVER} ± 0.3		ANGULAR ± 3 °		CHECKED BY MTANAKA		DATE 2005/06/13	
	DRAFT WHERE APPLICABLE MUST REMAIN WITHIN DIMENSIONS		SEE CHART		APPROVED BY NUKITA		DATE 2005/06/13	
					MATERIAL NO.		DOCUMENT NO.	

2.0 W/B CONN.PLUG HOUSING ASS'Y WO BOSS -LEAD FREE-

MOLEX INCORPORATED

SD-55932-007

THIS DRAWING CONTAINS INFORMATION THAT IS PROPRIETARY TO MOLEX INCORPORATED AND SHOULD NOT BE USED WITHOUT WRITTEN PERMISSION

SHEET NO. 2 OF 2