

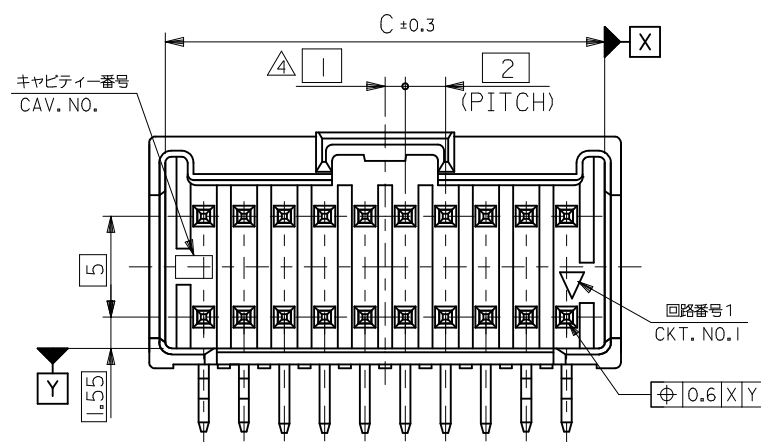
注記

1. 一般公差 : ±0.5
GENERAL TOLERANCES: ±0.5
 2. 各部の反りは2.0MAX.
WARP: 2.0MAX.
- ③ トレイの中の製品の向きは (a) 又は (b) とし、かつ同一トレイ中の製品の向きはどちらか一方で統一
PRODUCT DIRECTION SHOULD BE (a) OR (b).
ALL PRODUCTS MUST FACED THE SAME DIRECTION IN THE TRAY.

55959-**7*
55959-**3*
適用製品番号
APPLICABLE PART No.

RELEASED	EC NO: J2009-0955	DRWN: YOKUZONO 2008/10/20	CHKD: HARUYAMA 2008/10/20	APPR: NUKITA 2008/10/20	GENERAL TOLERANCES (UNLESS SPECIFIED)	DIMENSION STYLE MM ONLY	SCALE 1:2	DESIGN UNITS METRIC	THIRD ANGLE PROJECTION
	0	10 UNDER	± ---	10 OVER 30 UNDER	± ---	DRAWN BY Y. TOKUZONO	DATE 2008/10/17	TITLE TRAY FOR 55959 (2.0MM W-T-B DUAL CONN. DIP PLUG HOUSING ASS'Y)	
		30 OVER	± ---		± ---	CHECKED BY T. HARUYAMA	DATE 2008/10/17	APPROVED BY N. UKITA	DATE 2008/10/17
		ANGULAR	± --- °			MATERIAL NO. 098910030	DOCUMENT NO. SD-55959-001	MOLEX INCORPORATED	
	DRAFT WHERE APPLICABLE MUST REMAIN WITHIN DIMENSIONS				SIZE A3	THIS DRAWING CONTAINS INFORMATION THAT IS PROPRIETARY TO MOLEX INCORPORATED AND SHOULD NOT BE USED WITHOUT WRITTEN PERMISSION			
									SHEET NO. 1 OF 1

10 9 8 7 6 5 4 3 2 1



注記 NOTES

- 材料 MATERIAL
 PIN : 黄銅, 錫メッキ
 HOUSING : PBT (ガラス入り: 15%), UL94V-0
- 嵌合相手 : 51353シリーズ
 MATE WITH : 51353 SERIES
- ソルダーテールキックは、両端の8ピンのみとする。
 KINK TO BE APPLIED FOR 8 PINS AT BOTH ENDS.

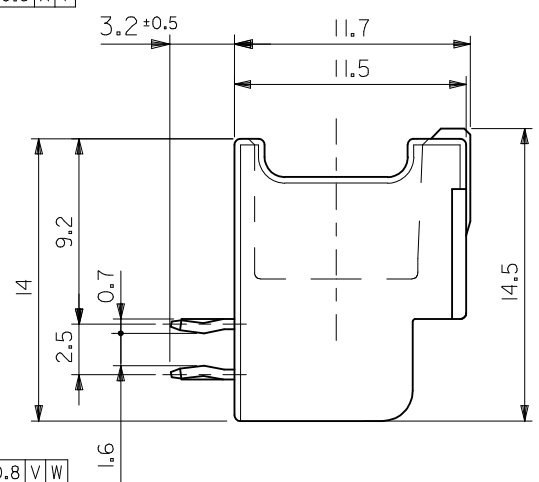
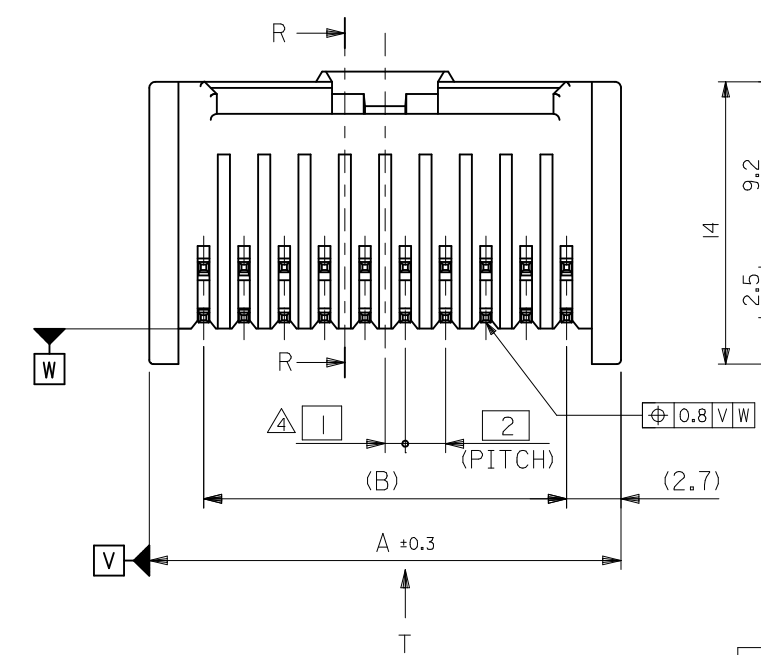
△ (全極数/2) = 偶数の場合に適用。
 APPLY FOR (CIRCUIT/2)=EVEN

△ 製品番号 MATERIAL NO.
 55959-***3*

極数 CIRCUIT SIZE 色 COLOR

6. ELV 及びRoHS適合品
 ELV AND RoHS COMPLIANT

ナチュラル (白) NATURAL (WHITE)	0
黒 BLACK	1
赤 RED	2
黄 YELLOW	3
青 BLUE	4
桃 PINK	5
緑 GREEN	6
茶 BROWN	7
橙 ORANGE	8
紫 VIOLET	9

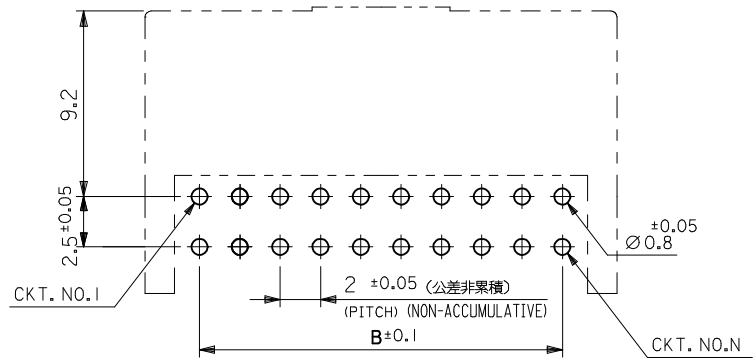


41.8	38	43.4	55959-403*	40
39.8	36	41.4	-383*	38
37.8	34	39.4	-363*	36
35.8	32	37.4	-343*	34
33.8	30	35.4	-323*	32
31.8	28	33.4	-303*	30
29.8	26	31.4	-283*	28
27.8	24	29.4	-263*	26
25.8	22	27.4	-243*	24
23.8	20	25.4	-223*	22
21.8	18	23.4	-203*	20
19.8	16	21.4	-183*	18
17.8	14	19.4	-163*	16
15.8	12	17.4	-143*	14
13.8	10	15.4	-123*	12
11.8	8	13.4	-103*	10
9.8	6	11.4	55959-083*	8

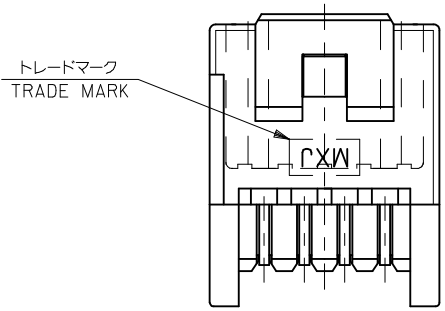
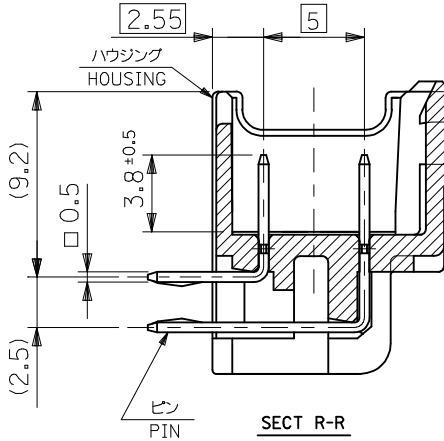
55959-***3*		
C	B	A
CONNECTOR SERIES NO.		△ MATERIAL NO. CKT. ORDER NO.

REVISED EC NO: J2014-1085 DRWN: YAJI MA01 2014/01/09 CHKD: APPR: NUKITA 2014/01/09	GENERAL TOLERANCES (UNLESS SPECIFIED)		DIMENSION STYLE MM ONLY		SCALE ---		DESIGN UNITS METRIC		THIRD ANGLE PROJECTION	
	10 UNDER	± 0.2	DRAWN BY		DATE		TITLE		2.0 W-B CONN. DUAL DIP PLUG HSG ASS'Y R/A -LEAD FREE- molex	
	10 OVER 30 UNDER	± 0.25	CHECKED BY		DATE					
	30 OVER	± 0.3	APPROVED BY		DATE					
	ANGULAR ± 3 °		MATERIAL NO.		DOCUMENT NO.		SHEET NO.			
DRAFT WHERE APPLICABLE MUST REMAIN WITHIN DIMENSIONS		SEE NOTES		SD-55959-003		1 OF 3				
		SIZE A3		THIS DRAWING CONTAINS INFORMATION THAT IS PROPRIETARY TO MOLEX INCORPORATED AND SHOULD NOT BE USED WITHOUT WRITTEN PERMISSION						

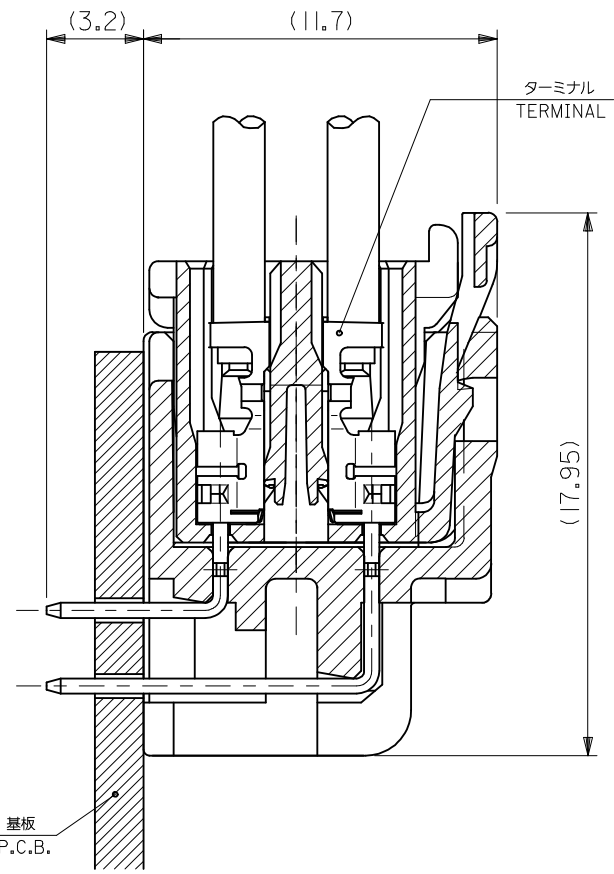
9 8 7 6 5 4 3 2



基板取付け推奨寸法 (マウント面)
 RECOMMENDED P.C. BOARD
 HOLE DIMENSION
 (MOUNTING SIDE)
 (t = 1.2, 1.6)



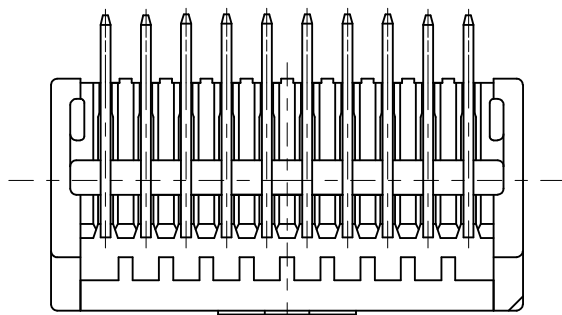
8 CIRCUIT



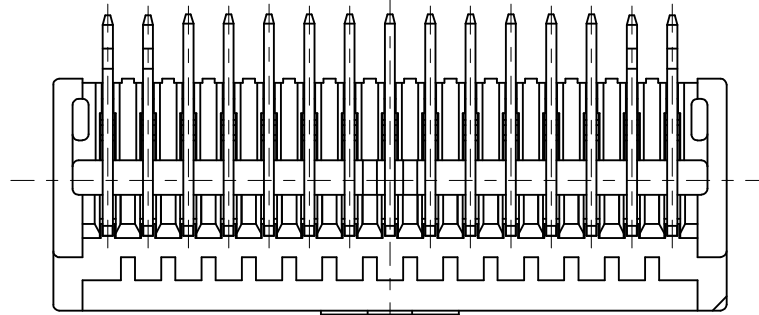
嵌合断面図 (参考)
 MATED DRAWING (REF.)

REVISED EC NO: J2014-1085 DRWN: TYAJ/MA01 2014/01/09 CHKD: APPR: NUK/ITA 2014/01/09	GENERAL TOLERANCES (UNLESS SPECIFIED)		DIMENSION STYLE MM ONLY	SCALE ---	55959-***3	DESIGN UNITS METRIC	CONNECTION SERIES NO.
	10 UNDER	± 0.2	DRAWN BY	DATE	TITLE 2.0 W-B CONN. DUAL DIP PLUG HSG ASS'Y R/A -LEAD FREE-		
	10 OVER 30 UNDER	± 0.25	CHECKED BY	DATE			
	30 OVER	± 0.3	APPROVED BY	DATE			
ANGULAR ± 3 °		MATERIAL NO.	SEE SHEET 1	DOCUMENT NO.	SD-55959-003	SHEET NO. 2 OF 3	
DRAFT WHERE APPLICABLE MUST REMAIN WITHIN DIMENSIONS		SIZE A3	THIS DRAWING CONTAINS INFORMATION THAT IS PROPRIETARY TO MOLEX INCORPORATED AND SHOULD NOT BE USED WITHOUT WRITTEN PERMISSION				

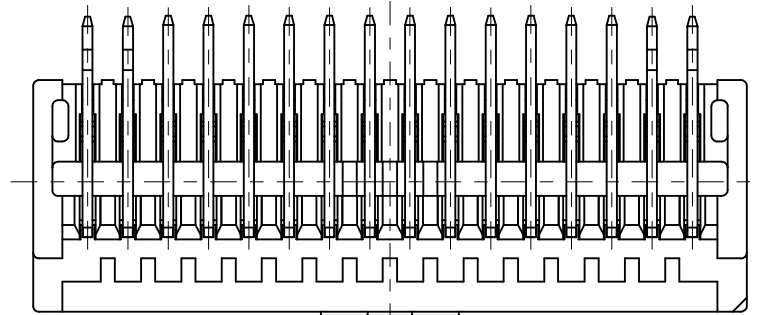
10 9 8 7 6 5 4 3 2 1



8-20 CIRCUIT



22,26,30,34,38 CIRCUIT



24,28,32,36,40 CIRCUIT

VIEW "T"

REVISED EC NO: J2014-1085 DRWN:TYAJ/MA01 2014/01/09 CHKD: APPR:NUK/ITA 2014/01/09	GENERAL TOLERANCES (UNLESS SPECIFIED)		DIMENSION STYLE MM ONLY	SCALE ---	55959-*** DESIGN UNITS METRIC	CONNECTOR SERIES NO.
	10 UNDER	±0.2	DRAWN BY	DATE	THIRD ANGLE PROJECTION	
	10 OVER 30 UNDER	±0.25	CHECKED BY	DATE	TITLE 2.0 W-B CONN. DUAL DIP PLUG HSG ASS'Y R/A -LEAD FREE-	
	30 OVER	±0.3	APPROVED BY	DATE	DOCUMENT NO. SD-55959-003	
ANGULAR ±3 °		MATERIAL NO. SEE SHEET 1		SHEET NO. 3 OF 3		
DRAFT WHERE APPLICABLE MUST REMAIN WITHIN DIMENSIONS		THIS DRAWING CONTAINS INFORMATION THAT IS PROPRIETARY TO MOLEX INCORPORATED AND SHOULD NOT BE USED WITHOUT WRITTEN PERMISSION				

9 8 7 6 5 4 3 2