

DWG. NO. SD-56387-002

8 7 6 5 4 3 2 1

F

D

C

B

B

DO NOT SCALE DRAWING

8 7 6 5 4 3 2 1

F

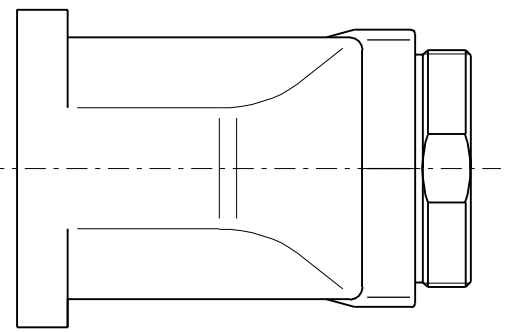
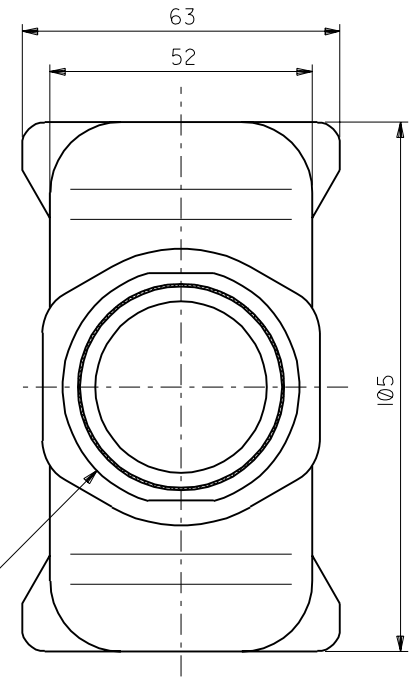
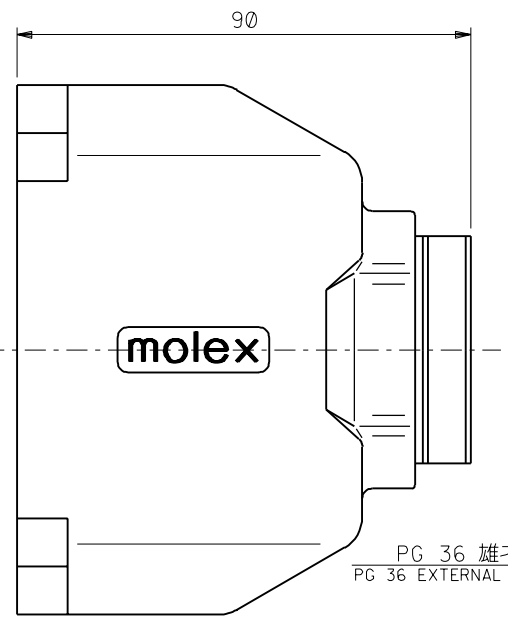
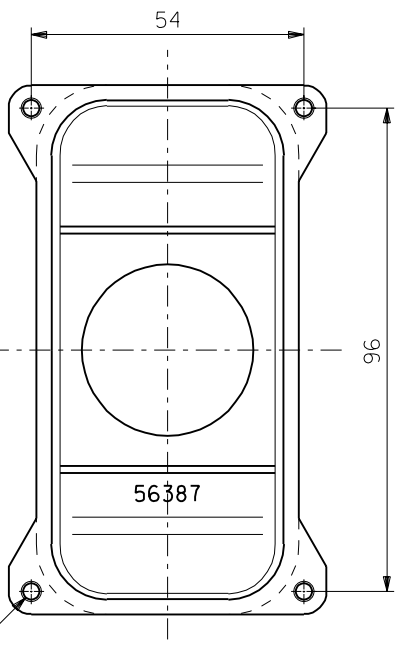
E

D

C

B

A



注)  
NOTES

- 適用リセプタクルシェルアッセンブリ : 58719-\*\*\*\*0  
APPLICABLE RECEPTACLE SHELL ASS'Y : 58719-\*\*\*\*0
- 適用エンドベルキャップセット : 58866-\*\*\*\*  
APPLICABLE END BELL CAP SET : 58866-\*\*\*\*
- 適用取り付けねじ (リセプタクルシェルアッセンブリ) : M4×10  
APPLICABLE SCREW (RECEPTACLE SHELL ASS'Y) : M4×10

56387-0000	56387-0*00
MATERIAL No.	MODEL No.

EC NO. DRWN: CHK: APPR:	EC NO. DRWN: CHK: APPR:	EC NO. DRWN: CHK: APPR:	EC NO. DRWN: CHK: APPR:	EC NO. DRWN: CHK: APPR:	RELEASED '01/01/22 EC NO. JD2001-0972 DRWN: S.AKIYAMA CHK: J.MIYAZAWA APPR: H.IKESUGI	MATERIAL 材料	— # —	GENERAL TOLERANCES: (UNLESS SPECIFIED) 一般公差 10 UNDER 未満 ±0.2 10 OVER 30 UNDER 以上 未満 ±0.25 30 OVER 以上 ±0.3 WIRE RANGE 適用 電線 範囲 — # — ANGLE 角度 ±3°	SCALE 1-1	DESIGN UNITS mm INCH	THIRD ANGLE PROJECTION	DIMENSIONS: mm INCH mm ONLY	SHT	REV
						FINISH 仕上げ	— # —		DRAWN BY & DATE S. Akiyama '01/01/22	TITLE: POWER CONN. 48P W TO W TYPE COVER				
						WIRE RANGE 適用 電線 範囲	— # —		CHECKED BY & DATE M. Masawa '01/01/22	MOLEX INCORPORATED				
						INS. RANGE 被覆 外径	— # —		APPROVED BY & DATE H. Ikessugi '01/01/22	MATERIAL NO. 56387002.S01	DRAWING NO. SD-56387-002	SHEET NO. 1 OF 1		

THIS DRAWING CONTAINS INFORMATION THAT IS PROPRIETARY TO MOLEX INCORPORATED AND SHOULD NOT BE USED WITHOUT WRITTEN PERMISSION.

56387002.S01