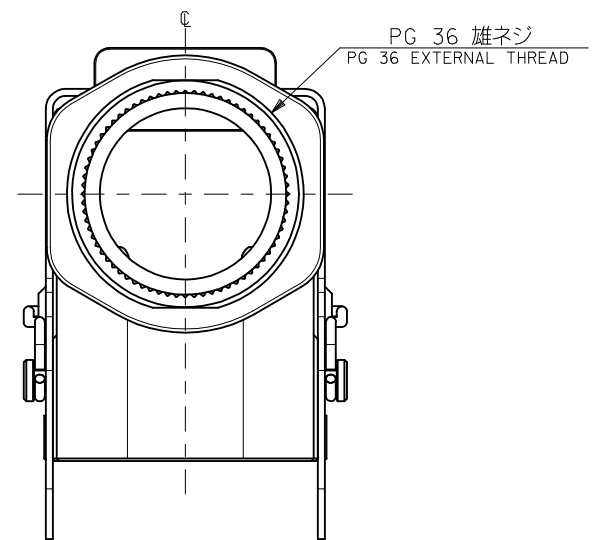
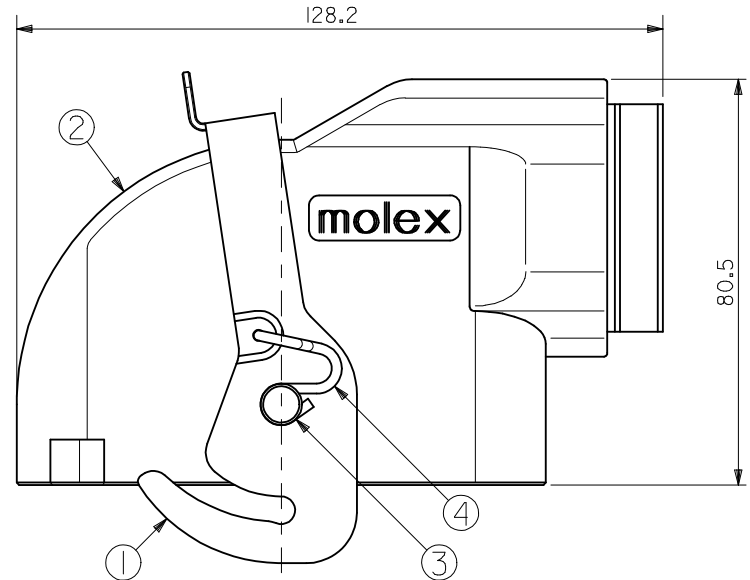
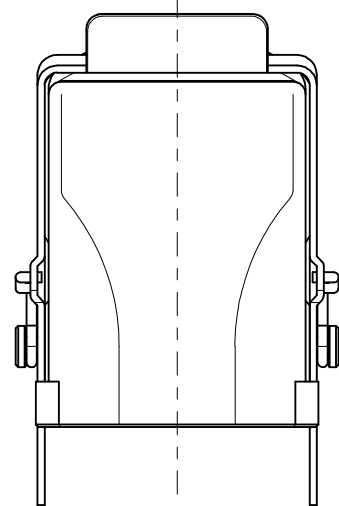
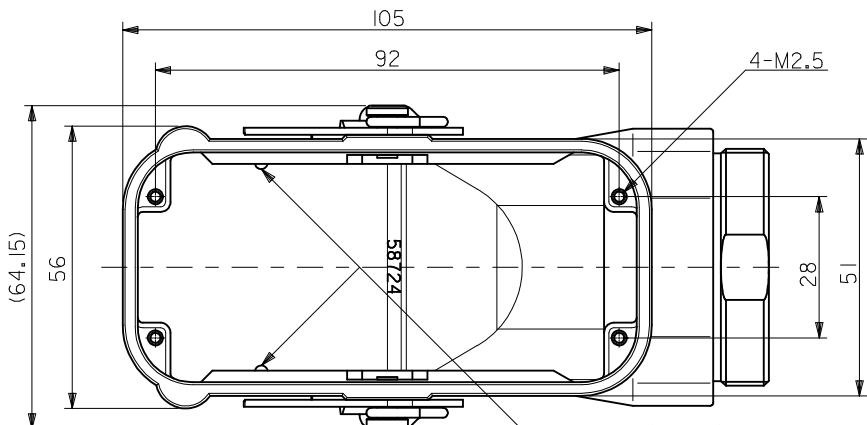


10 9 8 7 6 5 4 3 2 1



注記:  
NOTES.

1. 適用プラグシェルアッセンブリ  
APPLICABLE PLUG SHELL ASS'Y
  - 1.) TYPE A : 58721-0010
  - 2.) TYPE B : 58721-0020
2. 適用エンドベルキャップセット  
APPLICABLE END BELL CAP SET  
58866-\*\*\*\*



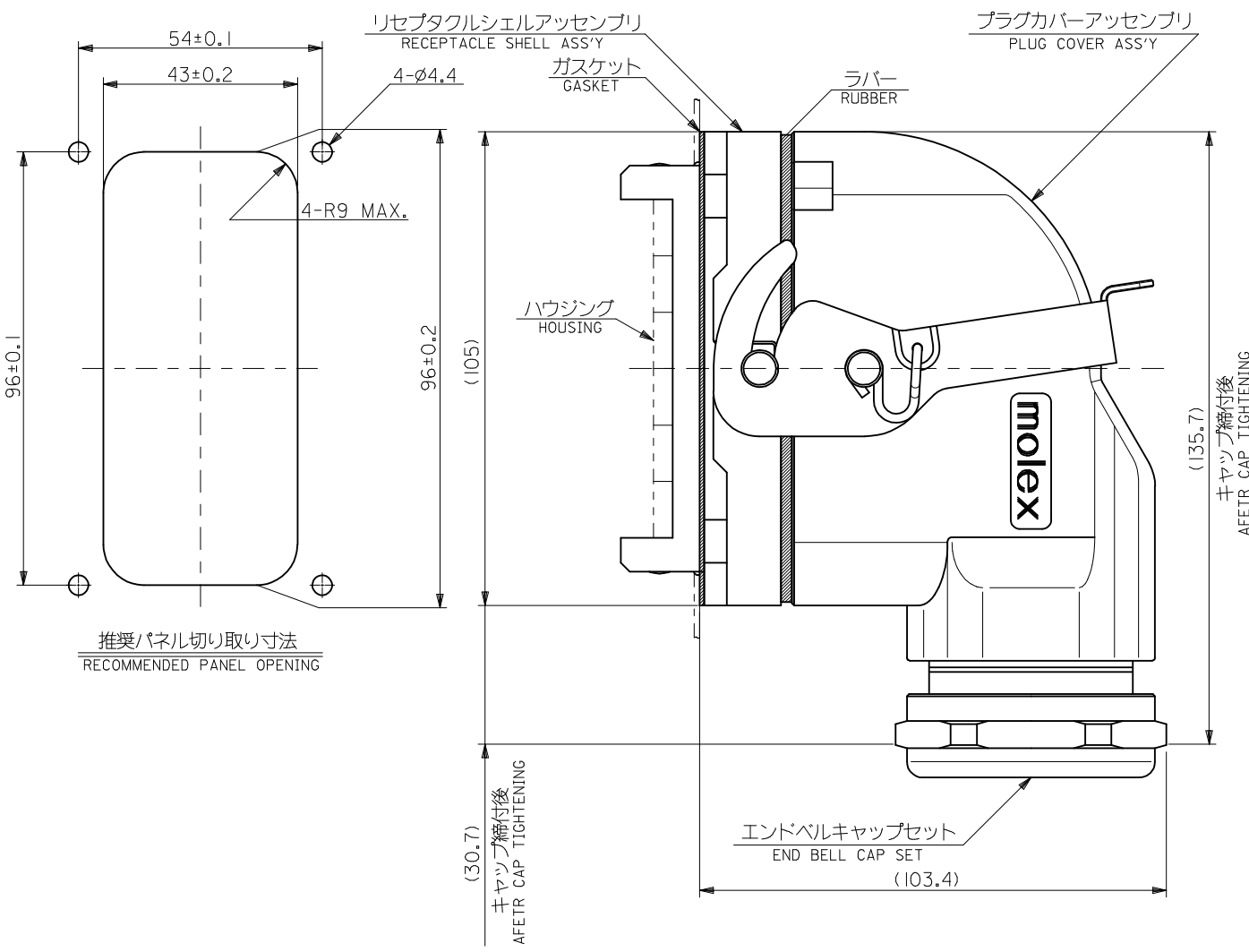
部番 No.	部品名 PART NAME	数量 QTY.	材質 MATERIAL	記事 ARTICLE
①	レバー LEVER	1	鋼 STEEL	塗装処理 PAINTING
②	プラグカバー PLUG COVER	1	アルミニウム合金 ALUMINIUM ALLOY	—
③	ロックピン LOCKING PIN	2	ステンレス STAINLESS STEEL	—
④	レバースプリング LEVER SPRING	2	ステンレス STAINLESS STEEL	—

シェル挿入方向キー  
POLARIZATIONS KEY FOR SHELL

58723-1010	58723-****
MATERIAL NO.	MODEL NO.

REVISED EC NO: J2009-0816 DRWN: YMAEDA CHKD: NUKITA APPR: NUKITA	DESCRIPTION REV	GENERAL TOLERANCES (UNLESS SPECIFIED)		DIMENSION STYLE MM ONLY		SCALE ---	DESIGN UNITS METRIC		THIRD ANGLE PROJECTION	
		10 UNDER	±0.2	DRAWN BY SAKIYAMA	DATE 2002/05/13	TITLE POWER CONN. 48P RIGHT-ANGLE PLUG COVER ASS'Y				
		10 OVER 30 UNDER	±0.25	CHECKED BY JMIYAZAWA	DATE 2002/05/14	MOLEX INCORPORATED				
		30 OVER	±0.3	APPROVED BY YITO	DATE 2002/05/14	MATERIAL NO. SEE CHART DOCUMENT NO. SD-58723-006 SHEET NO. 1 OF 2				
ANGULAR ±3 °		DRAFT WHERE APPLICABLE MUST REMAIN WITHIN DIMENSIONS		THIS DRAWING CONTAINS INFORMATION THAT IS PROPRIETARY TO MOLEX INCORPORATED AND SHOULD NOT BE USED WITHOUT WRITTEN PERMISSION						

10 9 8 7 6 5 4 3 2 1



注記:  
NOTES:

1. 関連図面  
RELATION DRAWING
- リセプタクルシェルアッセンブリ : SD-58719-002  
RECEPTACLE SHELL ASS'Y
  - プラグシェルアッセンブリ : SD-58721-002  
PLUG SHELL ASS'Y
  - カバーアッセンブリ : SD-58723-006  
PLUG COVER ASS'Y
  - エンドベルキャップセット : SD-58866-002  
END BELL CAP SET
  - ピンハウジング : SD-51194-002  
SD-51203-002  
PIN HOUSING
  - ソケットハウジング : SD-51195-002  
SD-51204-002  
SOCKET HOUSING
  - ターミナル (ピン) : SD-5558GS\*\*  
SD-50637-\*\*\*\*  
SD-59320-001  
TERMINAL (PIN)
  - ターミナル (ソケット) : SD-5556GS\*\*  
SD-50638-\*\*\*\*  
SD-59319-001  
TERMINAL (SOCKET)

2. 関連規格  
RELATION NORMATIVE
- VDE0110 250V 汚染度Ⅲ  
過電圧カテゴリーⅡに適合  
APPLICABLE 250V POLLUTION DEGREE  
AND OVER VOLTAGE CATEGORY
- 保護等級 IP65  
DEGREE OF PROTECTION

推奨パネル切り取り寸法  
RECOMMENDED PANEL OPENING

REVISED	EC NO.: J2009-0816	2008/11/05	GENERAL TOLERANCES (UNLESS SPECIFIED)		DIMENSION STYLE MM ONLY		SCALE ---	DESIGN UNITS METRIC	THIRD ANGLE PROJECTION	
	DRWN: YMAEDA	2008/12/19	10 UNDER	±0.2	DRAWN BY	DATE	TITLE			
	CHKD: NUKITA	2008/12/19	10 OVER 30 UNDER	±0.25	CHECKED BY	DATE	POWER CONN. 48P RIGHT-ANGLE PLUG COVER ASS'Y			
	APPR: NUKITA	2008/12/19	30 OVER	±0.3	APPROVED BY	DATE				
	REV	DESCRIPTION	ANGULAR ±3 °		MATERIAL NO.		MOLEX INCORPORATED			
B		DRAFT WHERE APPLICABLE MUST REMAIN WITHIN DIMENSIONS		SEE CHART		DOCUMENT NO. SD-58723-006				
				SIZE A3		THIS DRAWING CONTAINS INFORMATION THAT IS PROPRIETARY TO MOLEX INCORPORATED AND SHOULD NOT BE USED WITHOUT WRITTEN PERMISSION				
						SHEET NO.		2 OF 2		