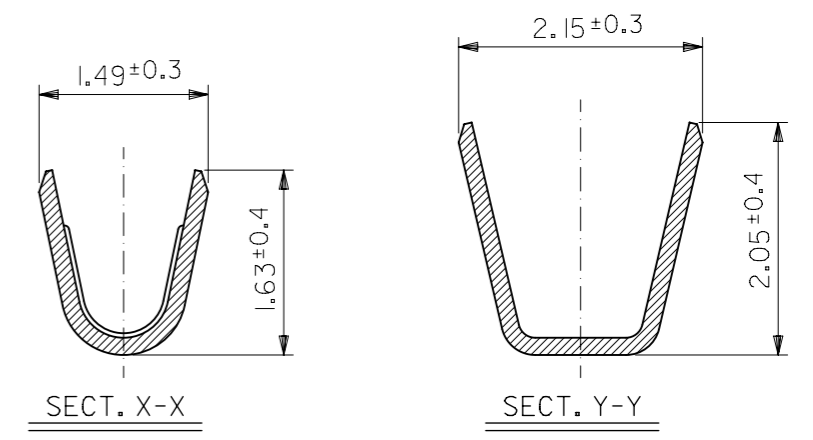
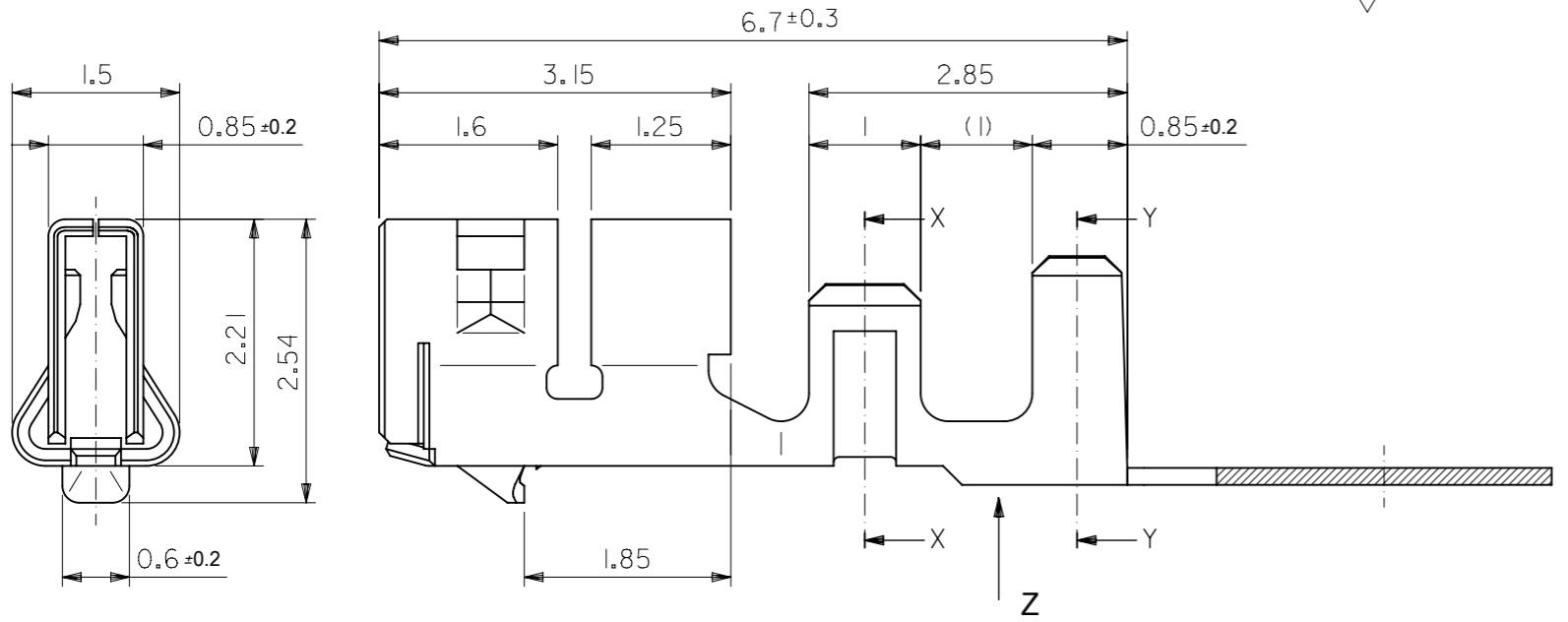
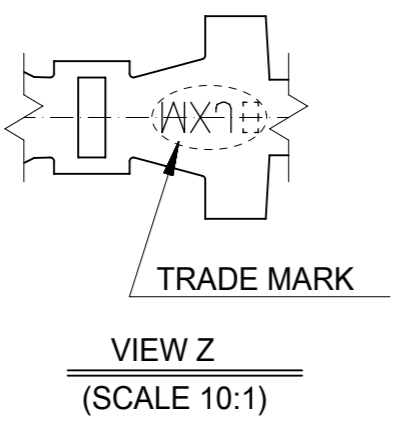


注記
NOTES

1. 使用材料 : リン青銅、錫メッキ (t = 0.15)
MATERIAL : PRE-TINNED PHOSPHOR BRONZE
2. 適合ハウジング : 51216シリーズ
APPLICABLE HOUSING : 51216 SERIES
3. 適合ハウジングアセンブリ : 505596シリーズ
APPLICABLE HOUSING ASSEMBLY : 505596 SERIES
4. トレードマーク : MXプラス1文字の製造工場を示すアルファベットにて表示。
但し"J"はJAPANを示す (MXJ)
FORMED BY MX AND 1 MORE LETTER OF ALPHABET WHICH MEAN THE MANUFACTORY.
BUT "J" MEANS JAPAN. (TO TRAD MARK) (e.g. MXJ)
5. 適用電線 : AWG #22-#28
APPLICABLE WIRE : AWG #22-#28
6. 被覆外径 : $\phi 1.5\text{mmMAX}$
INSULATION OUTSIDE DIMENSION : $\phi 1.5\text{mmMAX}$
7. 圧着仕様については、圧着仕様書 CS-59370-003を参照願います。
PLEASE REFER TO CRIMPING SPECIFICATION CS-59370-003
8. ATS-57427-0000 圧着視覚教材を参照願います。
PLEASE REFER TO CRIMPING AID ATS-57427-0000.



$\phi 1.5\text{mm MAX.}$	AWG #22-#28	593708100	バラ状 LOOSE
		593708000	連鎖状 CHAIN
絶縁被覆外形範囲 INS. RANGE	適用電線範囲 WIRE RANGE	製品番号 MATERIAL NO.	端子形状 FORM



THIS DRAWING CONTAINS INFORMATION THAT IS PROPRIETARY TO MOLEX ELECTRONIC TECHNOLOGIES, LLC AND SHOULD NOT BE USED WITHOUT WRITTEN PERMISSION

EC NO: 169859 DRWN: HKOBAYASHI CHK'D: SAKIYAMA APPR: TKANEKO	2017/12/21	GENERAL TOLERANCES (UNLESS SPECIFIED)	DIMENSION UNITS	SCALE				
	2017/12/21	ANGULAR TOL $\pm 3.0^\circ$	mm	15:1				
	2017/12/21	4 PLACES ± 0.2	DRWN BY	DATE		2.0 WIRE TO BOARD CONN. CRIMP RECEPTACLE		
		3 PLACES ± 0.2	KYAMADA02	2016/08/25				
		2 PLACES ± 0.2	CHK'D BY	DATE		PRODUCT CUSTOMER DRAWING		
	1 PLACE ± 0.2	KASAKAWA	2016/08/30					
	0 PLACES ± 0.2	APPR BY	DATE	SERIES	MATERIAL NUMBER	CUSTOMER		
		TKANEKO	2016/09/02	59370	SEE TABLE	GENERAL MARKET		
		DRAFT WHERE APPLICABLE MUST REMAIN WITHIN DIMENSIONS	DRAWING SIZE	THIRD ANGLE PROJECTION	DOCUMENT NUMBER	DOC TYPE	DOC PART	SHEET NUMBER
A1	REV		A3		SD-59370-004	PSD	001	1 OF 1