

PLEASE CHECK WWW.MOLEX.COM FOR LATEST PART INFORMATION

Part Number: [0640021215](#)
Status: **Active**
Description: 2.50mm Pitch, Wire-to-Board Housing, Female, 12 Circuits, UL94HB, Gray with White TPA

Documents:

3D Model	Product Specification PS-104000-001-013 (PDF)
Drawing (PDF)	Packaging Specification PK-64002-001-001 (PDF)
3D Model (PDF)	RoHS Certificate of Compliance (PDF)

General

Product Family	Crimp Housings
Series	64002
Application	Power, Wire-to-Board
Product Name	N/A
UPC	756054579169

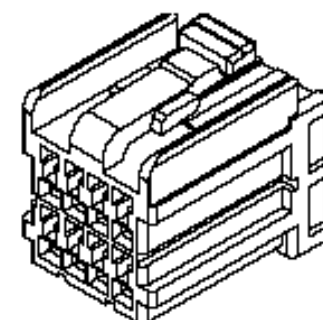
Physical

Circuits (maximum)	12
Color - Resin	Gray, Natural
Gender	Receptacle
Glow-Wire Capable	No
Keying to Mating Part	N/A
Lock to Mating Part	None
Material - Resin	Polyester
Net Weight	2.960/g
Number of Rows	2
Packaging Type	Bag
Panel Mount	No
Pitch - Mating Interface	2.50mm
Pitch - Termination Interface	2.50mm
Polarized to Mating Part	Yes
Ports	1
Stackable	No
Temperature Range - Operating	-30° to +85°C

Material Info

Reference - Drawing Numbers

Packaging Specification	PK-64002-001-001
Product Specification	PS-104000-001-013
Sales Drawing	SD-64002-001



Series image - Reference only

EU ELV

Compliant

EU RoHS

Compliant

REACH SVHC

Not Contained Per -
ECHA_01_2020 (16
January 2020

Halogen-Free

Status

Not Reviewed

For more information, please visit [Contact US](#)

China ROHS	Not Relevant
ELV	Compliant
RoHS Phthalates	Not Contained

Search Parts in this Series

[64002 Series](#)

Mates With

[53874](#) Wire-to-Board Header, [68145](#) Wire-to-Board Header, [68151](#) Wire-to-Board Header

Use With

[50654](#) Female Crimp Terminal