

LEFT WIRE OUTPUT

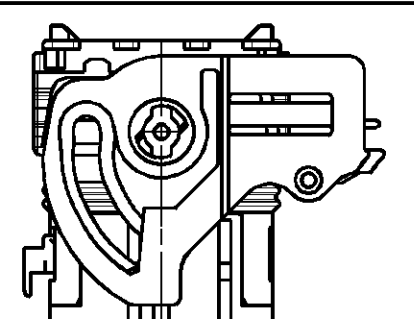
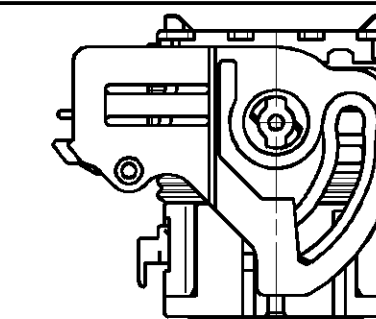
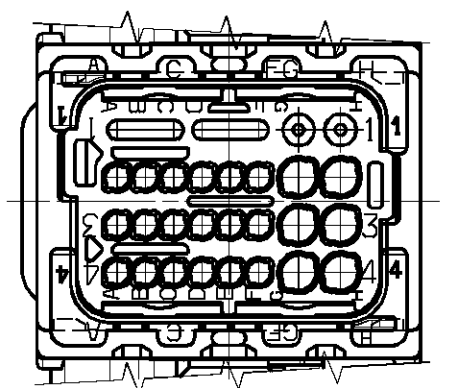
LOCKING LEVER NOT SHOWN

Scale 2:1

A-A

LOCKING LEVER NOT SHOWN

LINE N° 1 CLOSED
YELLOW BACK GRID VERSION

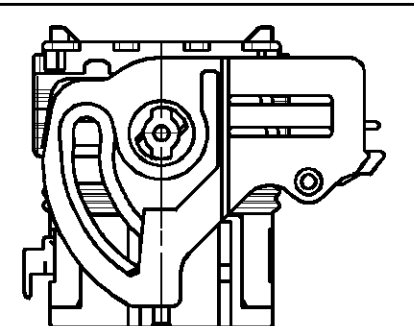
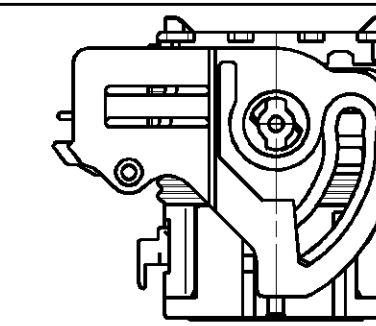
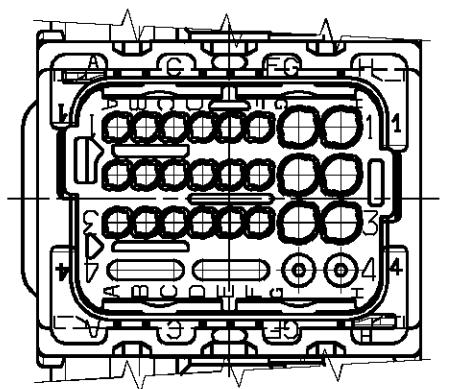


LEFT WIRE OUTPUT

RIGHT WIRE OUTPUT

MATERIAL NUMBER	COLOR	MATERIAL NUMBER	COLOR
0643192211	BLACK	0643194211	BLACK
-	GREY	-	GREY
-	BROWN	-	BROWN
0643192216	BLUE	0643194216	BLUE

LINE N° 4 CLOSED
GREEN BACK GRID VERSION



LEFT WIRE OUTPUT

RIGHT WIRE OUTPUT

MATERIAL NUMBER	COLOR	MATERIAL NUMBER	COLOR
-	BLACK	-	BLACK
0643192218	GREY	0643194218	GREY
-	BROWN	-	BROWN
0643192226	BLUE	0643194226	BLUE

NOTES

1-FOR ILLUSTRATION PURPOSE THE FEMALE HOUSING SHOWN IS THE RIGHT WIRE OUTPUT VERSION CODING 1

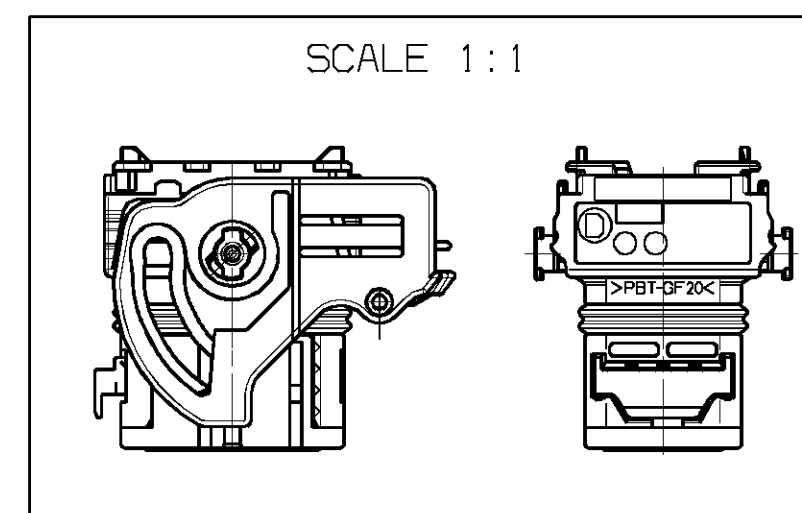
2-APPLICATION SPECIFICATION: AS-64319-001

3-WIRES EXTERNAL DIAMETER USED:
FOR CP0,6 TERMINAL: USE WIRES WITH AN EXTERNAL DIAMETER BETWEEN Ø1,25MM MIN AND Ø1,90MM MAX
FOR CP1,5 TERMINAL: USE WIRES WITH AN EXTERNAL DIAMETER BETWEEN Ø1,80MM MIN AND Ø2,80MM MAX

4-THE CONNECTOR FITS WITH WIRE CAP (32WAY) MOLEX P/N 0643191201

5-BLIND PLUG FOR 0,6 AND 1,5 CAVITIES (MOLEX P/N 0643251010 AND 0643251023) MUST BE USED ON THIS PART

6-DELIVERED PRODUCT WEIGHT: 27,6 g



REF.	DESIGNATION	MATERIAL	COLOR
7	MAT SEAL	SILICONE	GREEN
6	BACK GRID 24 WAY	>PBT-GF20<	COLOR LINKED TO LINE CLOSED
5	LOCKING LEVER SIZE 2	>PBT-GF30<	BLACK
4	SECONDARY LOCK	>PBT-GF20<	GREEN
3	PERIPHERAL SEAL SIZE 2	SILICONE	BLUE
2	BACK PART	>PBT-GF20<	BLACK
1	FRONT PART	>PBT-GF20<	COLOR LINKED TO KEYING

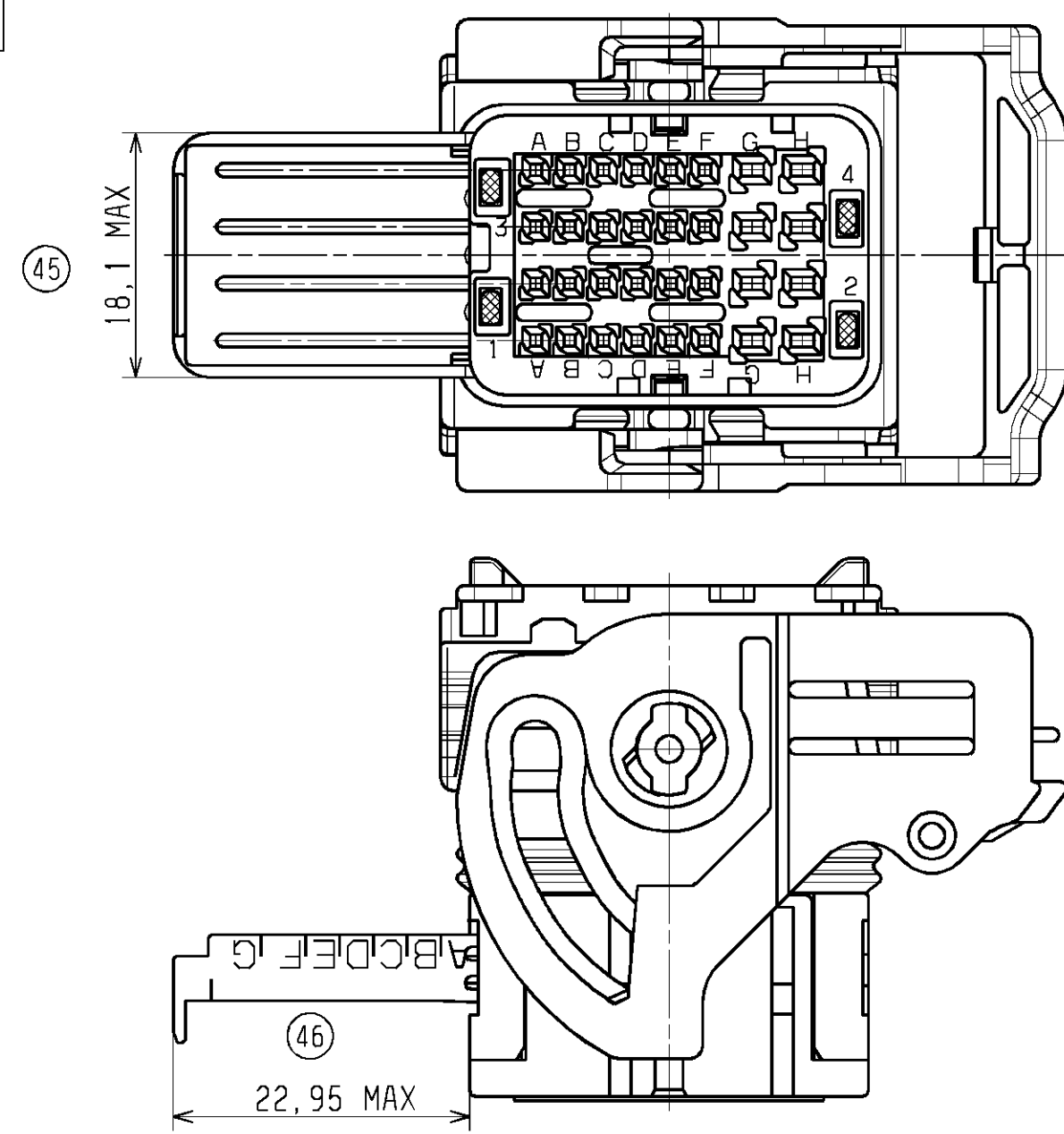
MARKINGS	
1	Assembled part tracability day + year
2	Terminal cavities identification
3	Lever position indicator: "D" LETTER VISIBLE= part with "LEVER ON THE RIGHT" "G" LETTER VISIBLE= part with "LEVER ON THE LEFT"
4	Supplier identification
5	Material identification

FIRST RELEASE EC NO: G2008-0473 DRAWN: TBADAROUX 2008/05/30 CHK'D: PGRANDCLAUDE 2008/05/30 APPR: CBOUCHAN 2008/05/30	DESCRIPTION
--	-------------

GENERAL TOLERANCES (UNLESS SPECIFIED)		DIMENSION STYLE MM ONLY		SCALE 2.5:1	DESIGN UNITS METRIC	FIRST ANGLE PROJECTION
PLACES	TOLERANCE	mm	INCH	TITLE		
4 PLACES	±			CMC CONNECTOR 24 WAY MAT SEAL VERSION		
3 PLACES	±					
2 PLACES	± 0.1					
1 PLACE	± 0.1					
ANGULAR ± 2°				MOLEX INCORPORATED		
DRAFT WHERE APPLICABLE MUST REMAIN WITHIN DIMENSIONS		SEE CHART		DOCUMENT NO. SD-64319-003		SHEET NO. 1 OF 2
		THIS DRAWING CONTAINS INFORMATION THAT IS PROPRIETARY TO MOLEX INCORPORATED AND SHOULD NOT BE USED WITHOUT WRITTEN PERMISSION				

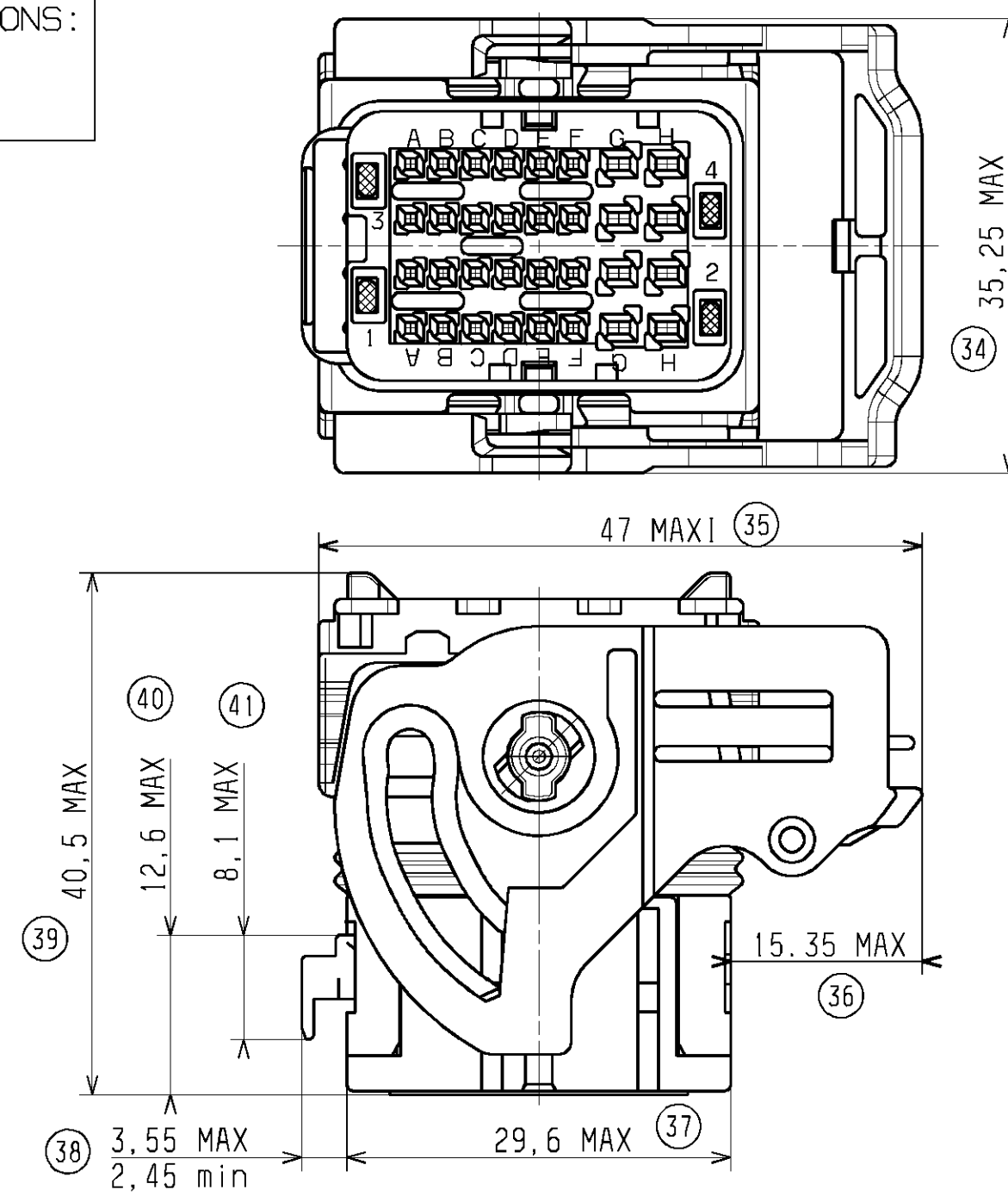
CONNECTOR OVERALL DIMENSIONS:
SECONDARY LOCKING FULLY OPENED
FOR TERMINAL INSERTION

RIGHT WIRE OUTPUT

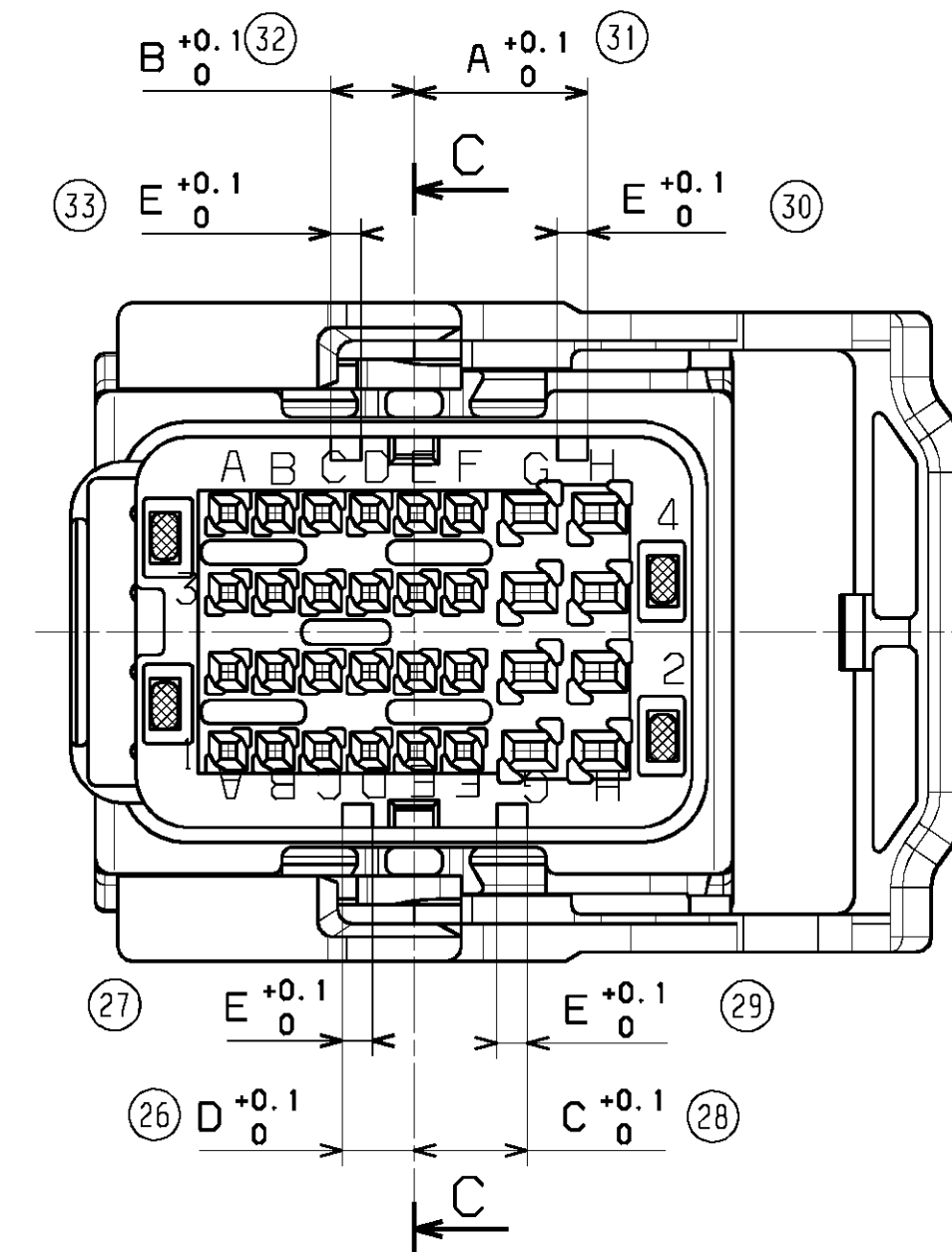


CONNECTOR OVERALL DIMENSIONS:
SECONDARY LOCKING IN
DELIVERY POSITION

RIGHT WIRE OUTPUT

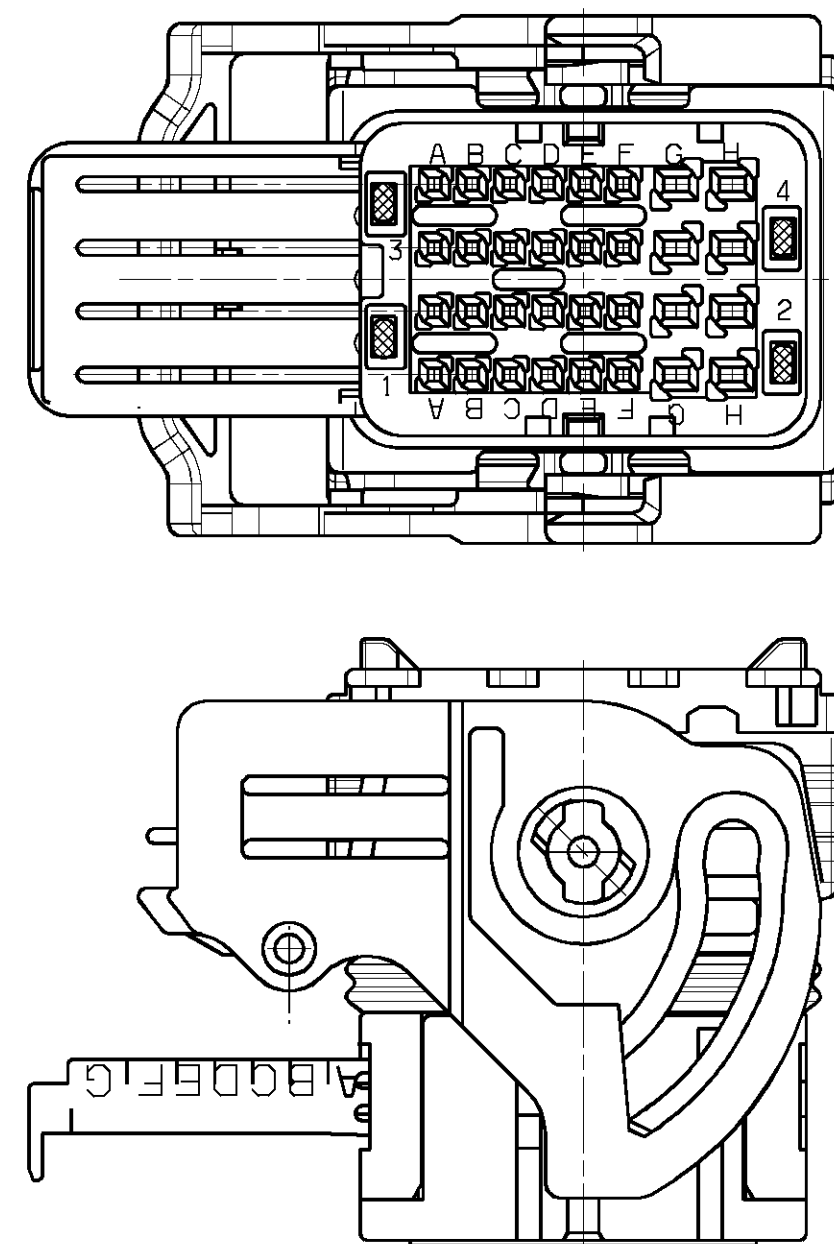


CODING POSITION



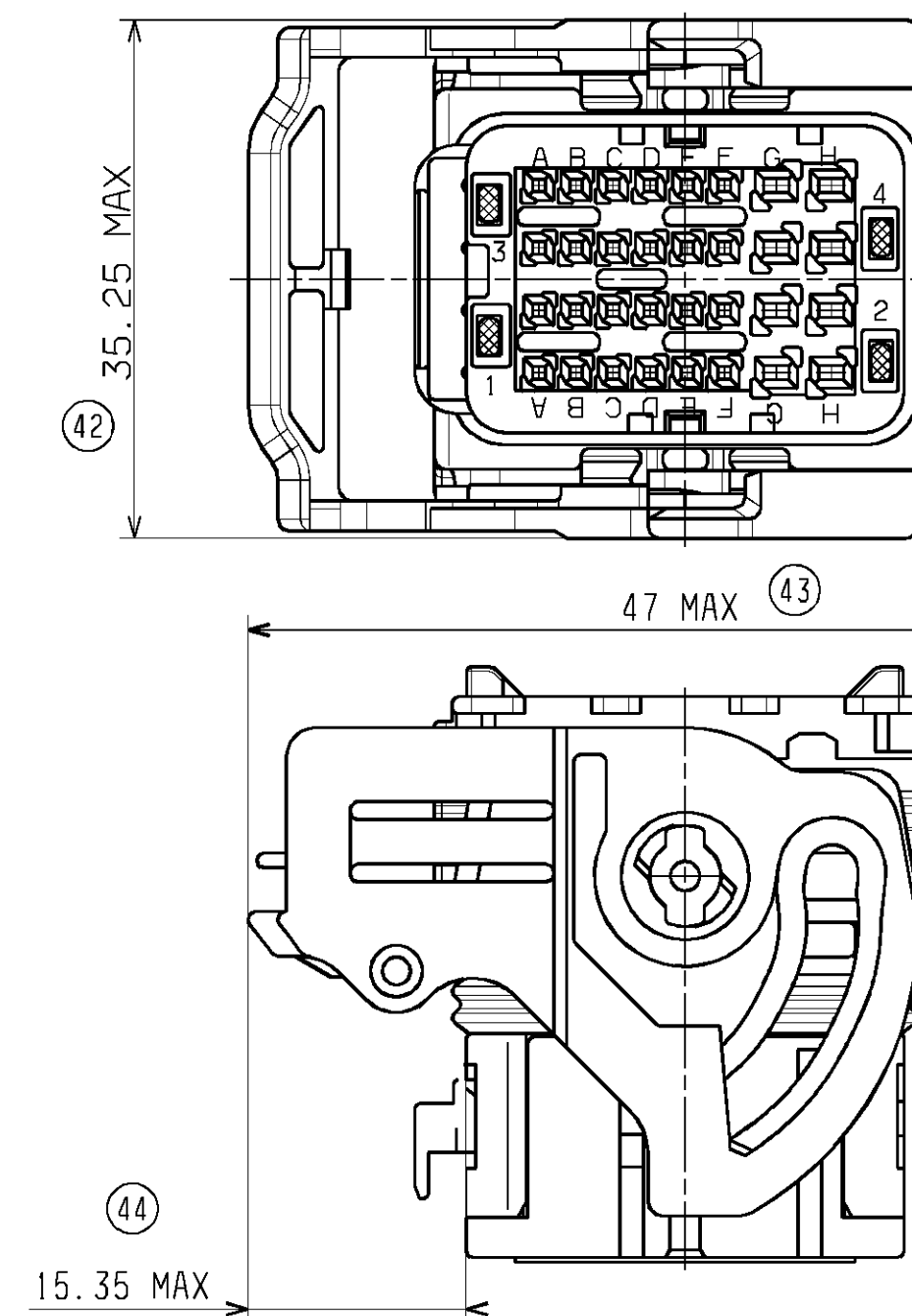
CONNECTOR OVERALL DIMENSIONS:
SECONDARY LOCKING FULLY OPENED
FOR TERMINAL INSERTION

LEFT WIRE OUTPUT

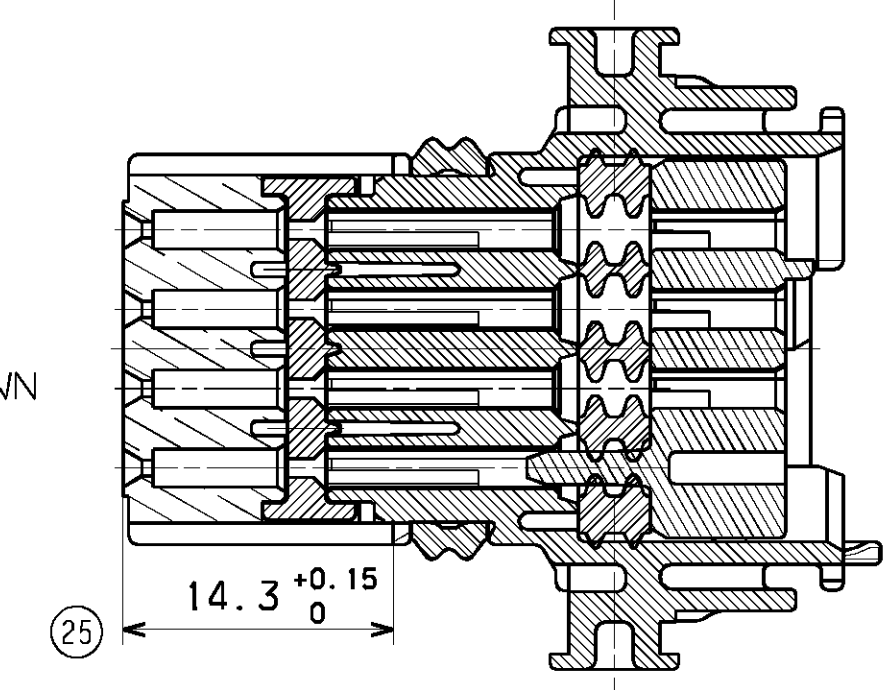


CONNECTOR OVERALL DIMENSIONS:
SECONDARY LOCKING IN
DELIVERY POSITION

LEFT WIRE OUTPUT



C-C
LEVER NOT SHOWN



COLOR	KEYING	A $\begin{smallmatrix} +0.1 \\ 0 \end{smallmatrix}$	B $\begin{smallmatrix} +0.1 \\ 0 \end{smallmatrix}$	C $\begin{smallmatrix} +0.1 \\ 0 \end{smallmatrix}$	D $\begin{smallmatrix} +0.1 \\ 0 \end{smallmatrix}$	E $\begin{smallmatrix} +0.1 \\ 0 \end{smallmatrix}$
BLACK	1	9,2	4,4	6	4,4	1,6
GREY	2	7,6	6	9,2	6	1,6
BROWN	3	6	7,6	9,2	9,2	1,6
BLUE	5	4,4	7,6	6	6	1,6

TERMINALS USED	CAVITIES IDENTIFICATION	MOLEX PART NUMBER			
		TIN PLATED TERMINAL		GOLD PLATED TERMINAL 1.27µm min	
FEMALE TERMINAL 0.635 A1 to F1 A2 to F2 A3 to F3 A4 to F4		(0,35 to 0,44 mm ²)	(0,5 mm ²)	(0,35 to 0,44 mm ²)	(0,5 mm ²)
		0643221019	0643221039	0643221229	0643221239
			(0,75 mm ²)		(0,75 mm ²)
		0643221029		0643221219	
FEMALE TERMINAL 1.50 G1 to G4 H1 to H4		(0,75 to 1 mm ²)	(>1 to 2 mm ²)	(0,75 to 1 mm ²)	(>1 to 2 mm ²)
		0643231029	0643231039	0643231319	0643231219

FIRST RELEASE
EC NO: G2008-0473
DRAWN: TBADAROUX 2008/05/30
CHKD: PGRANDCLAUDE 2008/05/30
APPR: CBOUCHAN 2008/05/30

GENERAL TOLERANCES (UNLESS SPECIFIED)

	mm	INCH
4 PLACES	±	±
3 PLACES	±	±
2 PLACES	± 0.1	±
1 PLACE	± 0.1	±
ANGULAR	± 2°	

DRAFT WHERE APPLICABLE
MUST REMAIN
WITHIN DIMENSIONS

DIMENSION STYLE
MM ONLY

SCALE
2:1

DESIGN UNITS
METRIC

FIRST ANGLE
PROJECTION

DRAWN BY
TBADAROUX

DATE
2008/05/23

CHECKED BY
PGRANDCLAUDE

DATE
2008/05/23

APPROVED BY
CBOUCHAN

DATE
2008/05/23

MATERIAL NO.
SEE SHEET 1

DOCUMENT NO.
SD-64319-003

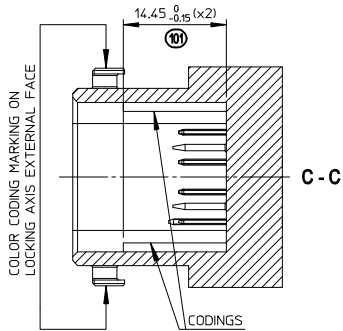
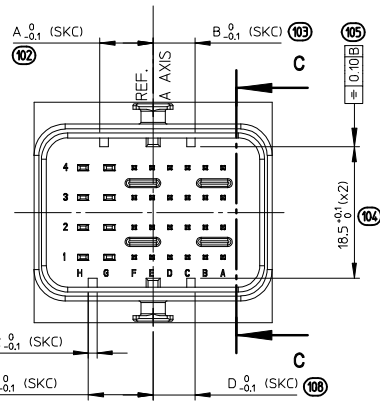
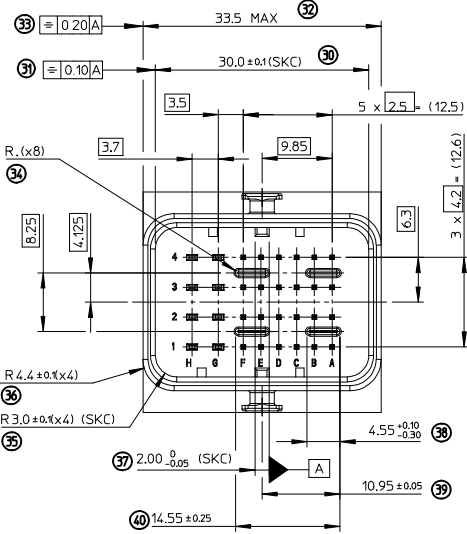
SHEET NO.
2 OF 2

TITLE
CMC CONNECTOR 24 WAY
MAT SEAL VERSION

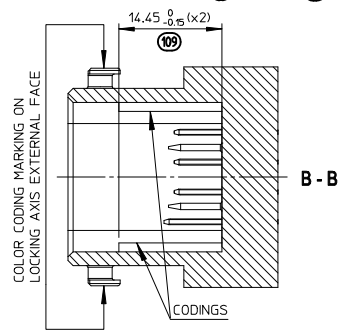
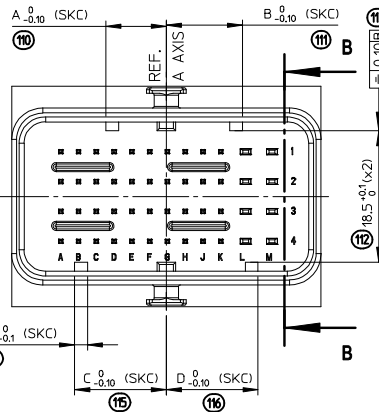
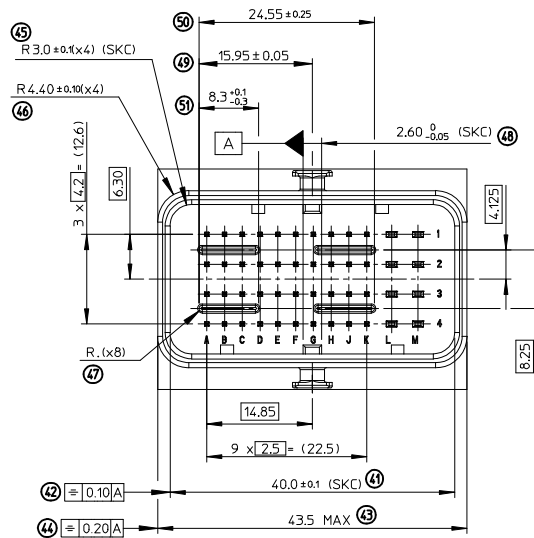
MOLEX INCORPORATED

THIS DRAWING CONTAINS INFORMATION THAT IS PROPRIETARY TO MOLEX
INCORPORATED AND SHOULD NOT BE USED WITHOUT WRITTEN PERMISSION

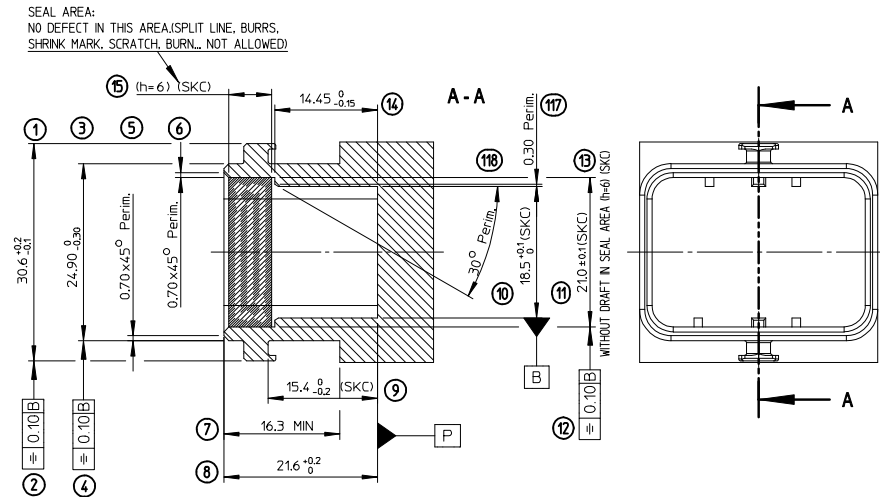
INTERFACE FOR HYBRID MODULE T2 (32 WAY)



INTERFACE FOR HYBRID MODULE T3 (48 WAY)



INTERFACES FOR HYBRID MODULES T2 (32 WAY) AND T3 (48 WAY)



HEADERS CODINGS

(CODING 2 SHOWN)

HEADER'S CODINGS FOR MODULE T2 (32W)					
COLOR	CODINGS	DIM. A	DIM. B	DIM. C	DIM. D
BLACK	1	9.1	4.3	5.9	4.3
GREY	2	7.5	5.9	9.1	5.9
BROWN	3	5.9	7.5	9.1	9.1
GREEN	4	7.5	9.1	4.3	4.3
BLUE	5	4.3	7.5	5.9	5.9
YELLOW	6	9.1	7.5	4.3	7.5

(CODING 3 SHOWN)

HEADER'S CODINGS FOR MODULE T3 (48W)					
COLOR	CODINGS	DIM. A	DIM. B	DIM. C	DIM. D
BLACK	1	12.9	6.3	8.5	6.3
GREY	2	10.7	8.5	12.9	8.5
BROWN	3	8.5	10.7	12.9	12.9
GREEN	4	10.7	12.9	6.3	6.3
BLUE	5	6.3	10.7	8.5	8.5
YELLOW	6	12.9	10.7	6.3	10.7

(SKC) SPECIAL KEY CHARACTERISTIC
 QUANTITY PER INDIVIDUAL SHEET
 (SKC) = 20

NOTE:

1- HEADER: ELASTICITY MODULUS: 8000Mpa min.
 (INITIAL CONDITION BEFORE AGEING)

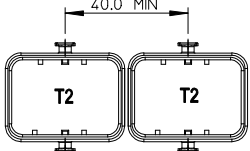
REVISED EC NO: GZ009-0185 DRWN: GDESBRUERES 2008/12/10 CHKD: J.GIURIATO 2008/12/11 APPR: O.PLESSIS 2008/12/15	GENERAL TOLERANCES (UNLESS SPECIFIED)		DIMENSION STYLE MM ONLY	SCALE 2:1	DESIGN UNITS METRIC	FIRST ANGLE PROJECTION
	4 PLACES ± --- ± --- 3 PLACES ± --- ± --- 2 PLACES ± 0.10 ± --- 1 PLACE ± 0.10 ± ---	m/m INCH	DRAWN BY DATE G. DESBRUERES 2008/10/02	TITLE INTERFACES FOR MODULES 32 & 48 CKT CMC	DOCUMENT NO. SD-98644-006	
	ANGULAR ± 2°	DRAFT WHERE APPLICABLE MUST REMAIN WITHIN DIMENSIONS	CHECKED BY DATE J. GIURIATO 2008/10/03	APPROVED BY DATE O. PLESSIS 2008/10/06	MATERIAL NO. N/A	MOLEX INCORPORATED
	A	DESCRIPTION	APPROVED BY DATE O. PLESSIS 2008/10/06	MATERIAL NO. N/A	THIS DRAWING CONTAINS INFORMATION THAT IS PROPRIETARY TO MOLEX INCORPORATED AND SHOULD NOT BE USED WITHOUT WRITTEN PERMISSION	MOLEX

CONNECTOR ON HEADER - OVERALL DIMENSIONS

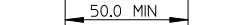
MULTI-HEADERS LAYOUT

LAYOUT FOR TWO INTERFACES T2 (32W)

FOR SAME HARNESS EXIT CONFIGURATION

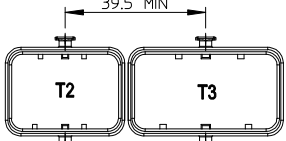


FOR OPPOSITE HARNESS EXIT CONFIGURATION

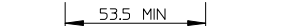


LAYOUT FOR TWO INTERFACES T2 (32W) AND T3 (48W)

FOR SAME HARNESS EXIT CONFIGURATION

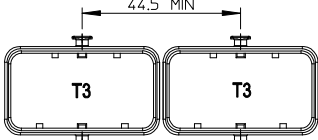


FOR OPPOSITE HARNESS EXIT CONFIGURATION

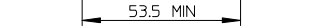


LAYOUT FOR TWO INTERFACES T3 (48W)

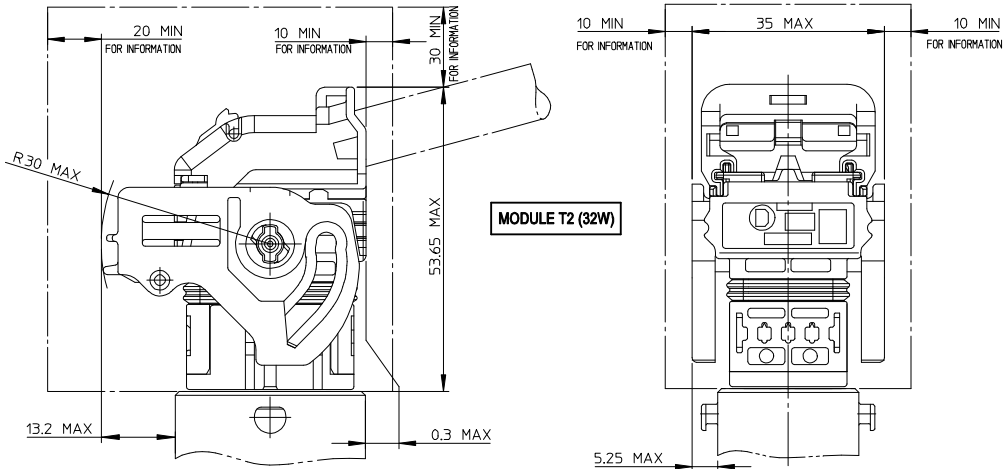
FOR SAME HARNESS EXIT CONFIGURATION



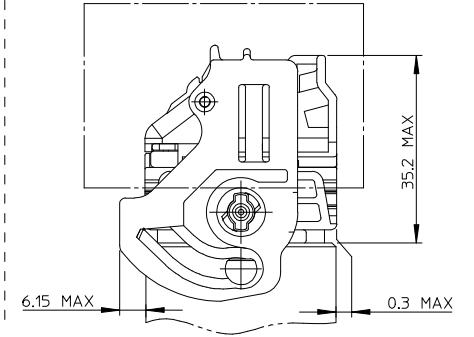
FOR OPPOSITE HARNESS EXIT CONFIGURATION



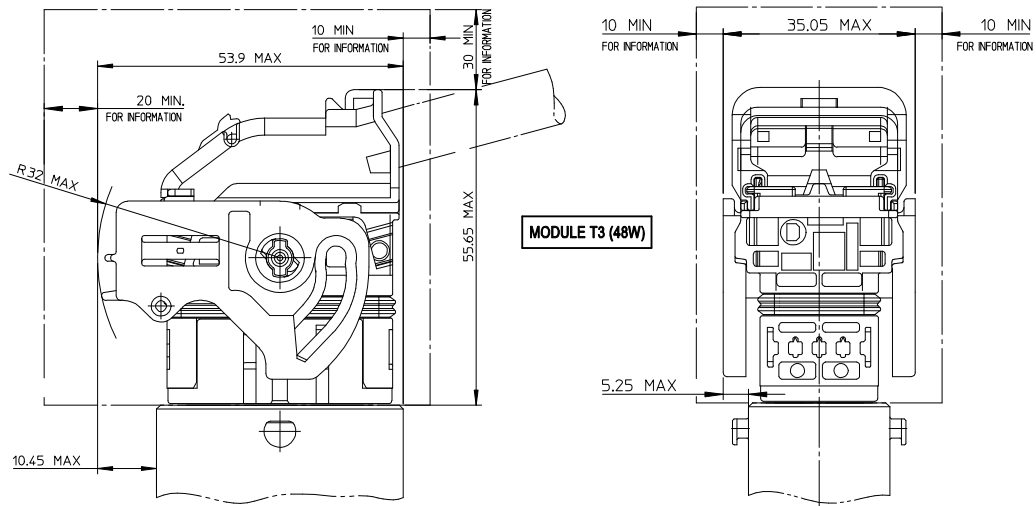
UNLOCKED CONNECTOR - OVERALL DIMENSIONS



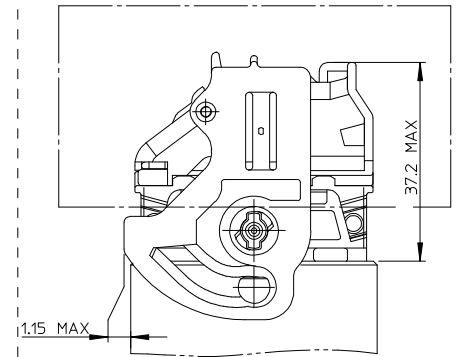
LOCKED CONNECTOR - OVERALL DIMENSIONS



UNLOCKED CONNECTOR - OVERALL DIMENSIONS



LOCKED CONNECTOR - OVERALL DIMENSIONS



LEGEND:



FREE VOLUME FOR MANUAL LOCKING AND UNLOCKING
DIMENSIONS GIVEN FOR INFORMATION ONLY TO BE
CONFIRMED BASED UPON VEHICLE CONFIGURATION.

(SKC) SPECIAL KEY CHARACTERISTIC

QUANTITY PER INDIVIDUAL SHEET

(SKC) = 0

NOTE:

1- T2 = 32 WAY / T3 = 48 WAY

REVISED
ECL NO: G2009-0185
DRAWING: DESBRUERES 2008/12/10
CHKD: J.GIURIATO 2008/12/11
APPR: PLESSIS 2008/12/15

DESCRIPTION

GENERAL TOLERANCES (UNLESS SPECIFIED)

	mm	INCH
4 PLACES	± 0.10	± 0.004
3 PLACES	± 0.15	± 0.005
2 PLACES	± 0.20	± 0.008
1 PLACE	± 0.30	± 0.012
ANGULAR ± 2°		

DRAFT WHERE APPLICABLE
MUST REMAIN
WITHIN DIMENSIONS

DIMENSION STYLE

MM ONLY	DATE
DRAWN BY	G. DESBRUERES 2008/10/02
CHECKED BY	DATE
APPROVED BY	J. GIURIATO 2008/10/03
DATE	DATE
APPROVED BY	O. PLESSIS 2008/10/06
DATE	DATE
MATERIAL NO.	

DRAFT WHERE APPLICABLE
MUST REMAIN
WITHIN DIMENSIONS

SCALE

1:1	DESIGN UNITS
1:1	METRIC

DOCUMENT NO.
SD-98644-006

FIRST ANGLE PROJECTION

TITLE
INTERFACES FOR MODULES 32 & 48 CKT CMC GENERIC SALES DRAWING
MOLEX MOLEX INCORPORATED

SHEET NO.
3 OF 3