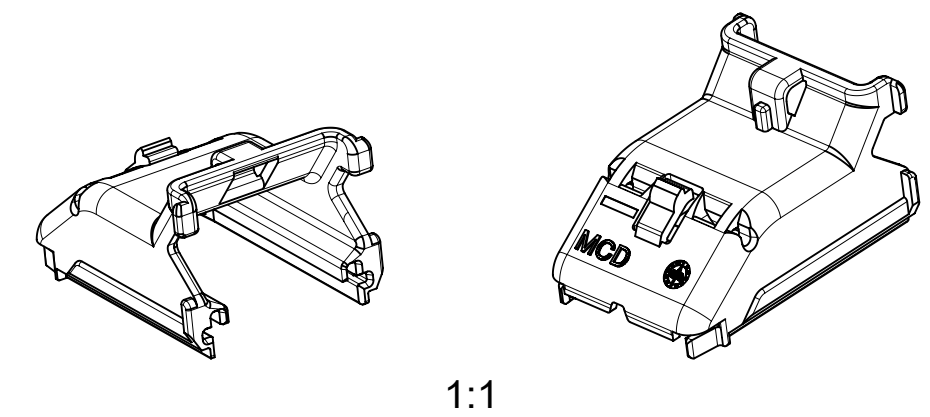
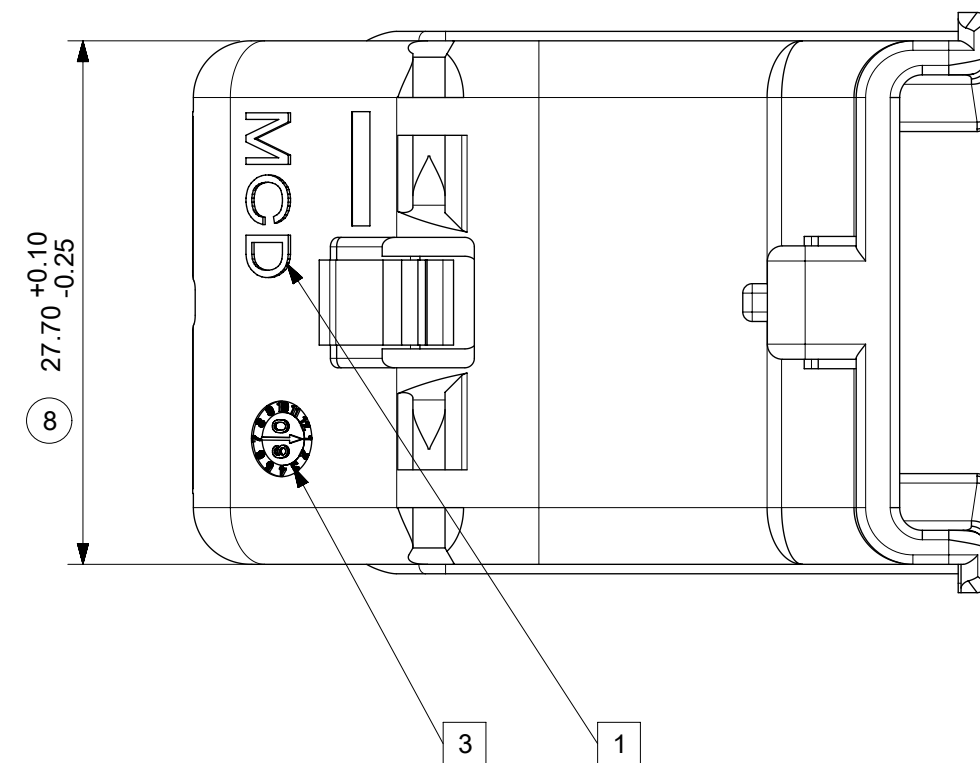
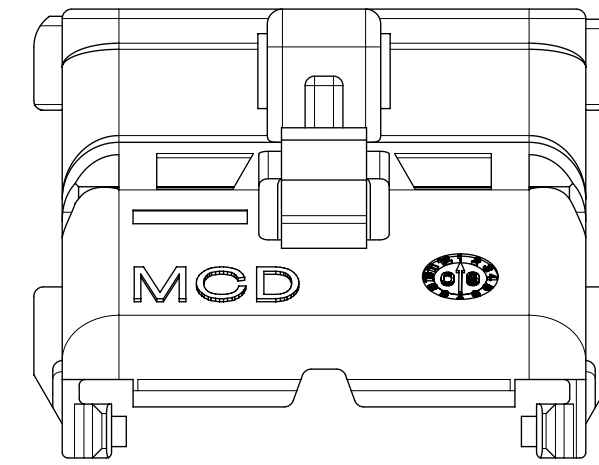
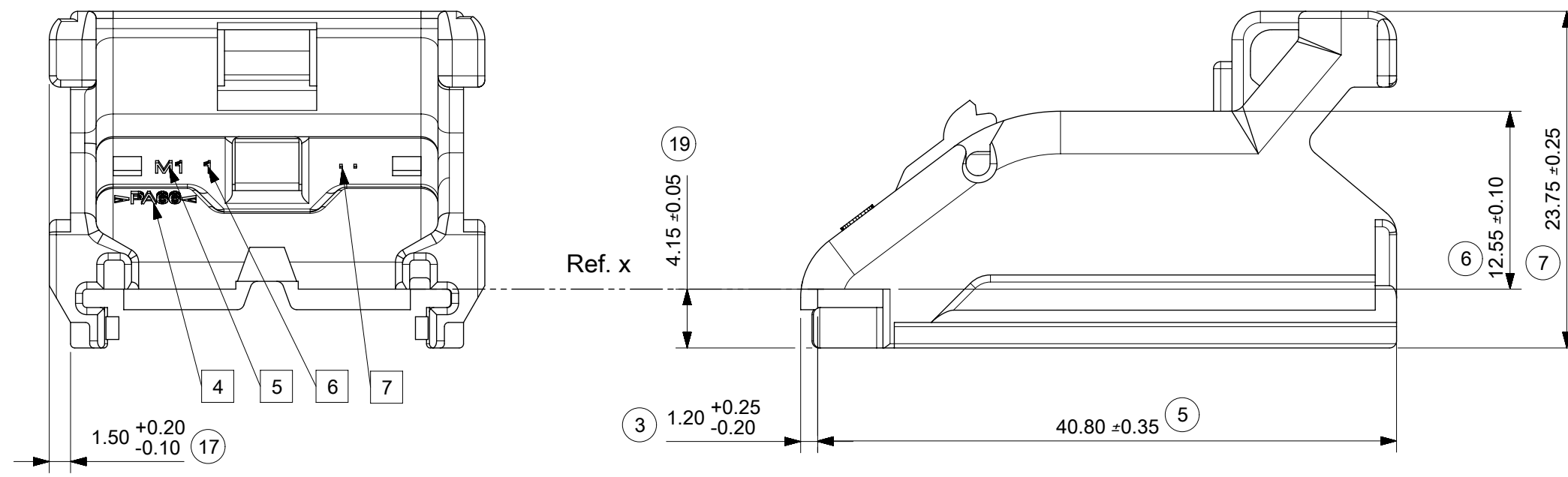
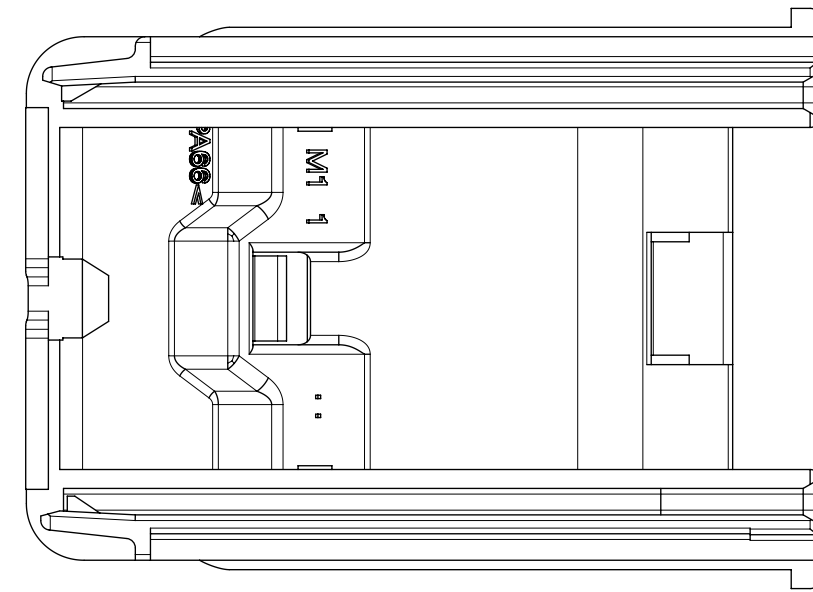


NOTES :

- 1- MATERIAL: PA 6.6 BLACK heat stabilized.
- 2- DELIVERED PRODUCT WEIGHT: 5.0 g.
- 3- RELATED COUNTERPART FEMALE CONNECTORS (CMC 48 WAYS, 28 WAYS).
- 4- ALL DIMENSIONS ARE TAKE OVER FROM THE 3D MODEL.

MARKINGS :

- 1 Supplier identification.
- 3 Date: MONTH/YEAR.
- 4 Material.
- 5 Mould identification M1 or M2.
- 6 Print identification (number).
- 7 Revision level



THIS DRAWING CONTAINS INFORMATION THAT IS PROPRIETARY TO MOLEX ELECTRONIC TECHNOLOGIES, LLC AND SHOULD NOT BE USED WITHOUT WRITTEN PERMISSION																	
DIMENSION UNITS		SCALE		CURRENT REV DESC: NX RE-MASTERING													
mm		2.5:1		<p style="text-align: center;">molex</p> <p style="text-align: center;">CMC WIRE CAP 48, 28 WAY MAT SEAL VERSION</p> <p style="text-align: center;">PRODUCT CUSTOMER DRAWING</p> <table border="1" style="width: 100%;"> <tr> <td>DOCUMENT NUMBER</td> <td>DOC TYPE</td> <td>DOC PART</td> <td>REVISION</td> </tr> <tr> <td style="text-align: center;">SD-64320-002</td> <td style="text-align: center;">PSD</td> <td style="text-align: center;">001</td> <td style="text-align: center;">D1</td> </tr> </table>						DOCUMENT NUMBER	DOC TYPE	DOC PART	REVISION	SD-64320-002	PSD	001	D1
DOCUMENT NUMBER	DOC TYPE	DOC PART	REVISION														
SD-64320-002	PSD	001	D1														
GENERAL TOLERANCES (UNLESS SPECIFIED)																	
ANGULAR TOL		± 2°															
4 PLACES		± 0.1															
3 PLACES		± 0.1															
2 PLACES		± 0.1															
1 PLACE		± 0.1															
0 PLACES		±															
DRAFT WHERE APPLICABLE MUST REMAIN WITHIN DIMENSIONS				FIRST ANGLE PROJECTION		DRAWING		SERIES									
		A2-SIZE		64320		MATERIAL NUMBER		CUSTOMER									
				0643201301		GENERAL MARKET		SHEET NUMBER									
								1 OF 1									