

Distributed by:

**JAMECO**<sup>®</sup>  
ELECTRONICS

**www.Jameco.com ♦ 1-800-831-4242**

The content and copyrights of the attached  
material are the property of its owner.

Jameco Part Number 1444341

10 9 8 7 6 5 4 3 2 1

F F

E E

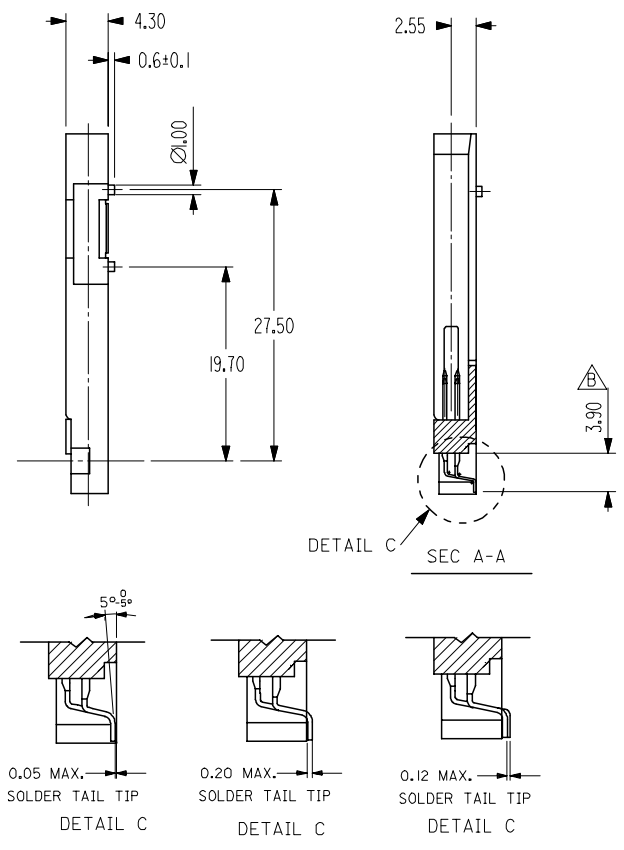
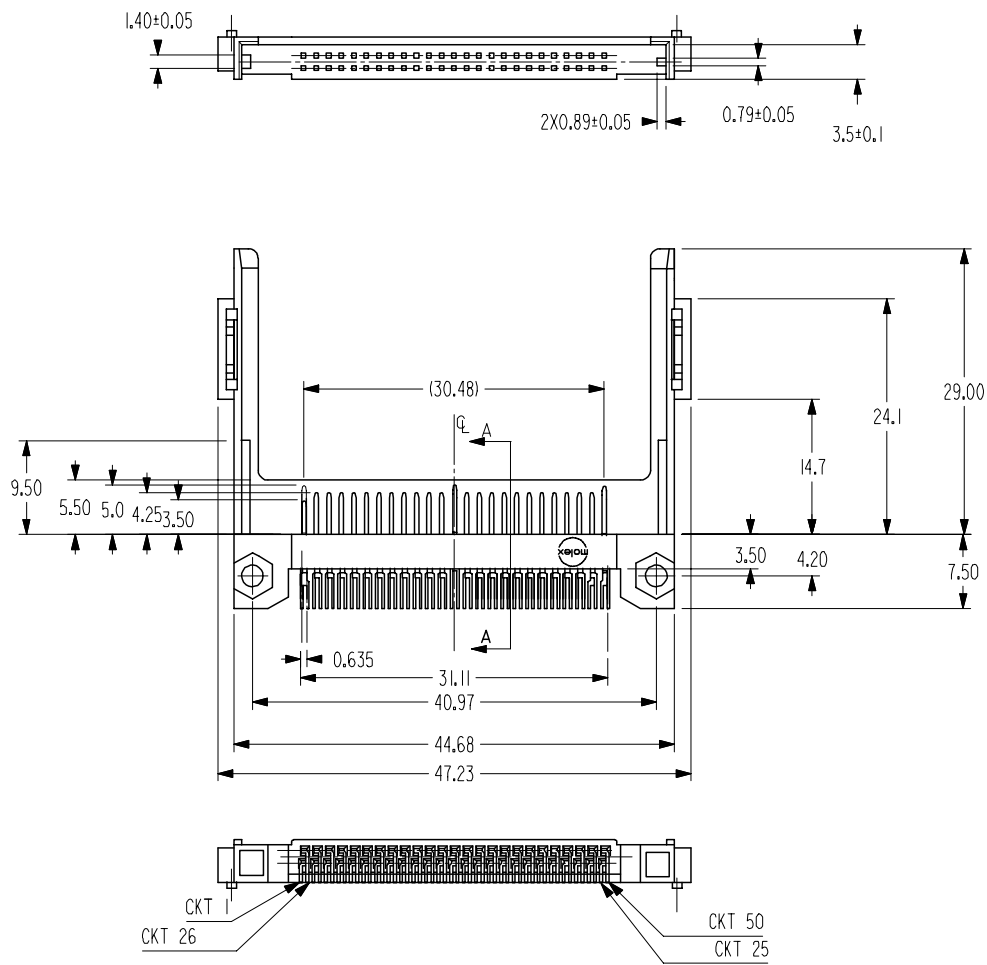
D D

C C

B B

A A

9 8 7 6 5 4 3 2 1



L/F AND NEW PART EC NO: SH2005-0087 DRAWN: JIAN 2004/09/24 CHKD: JG 2004/09/27 APPR: YIYAP 2004/09/28	QUALITY SYMBOLS	GENERAL TOLERANCES (UNLESS SPECIFIED)	DIMENSION STYLE	SCALE	DESIGN UNITS	THIRD ANGLE PROJECTION
	DESCRIPTION	mm INCH	MM ONLY	2:1	METRIC	
	REV	4 PLACES ± --- ± --- 3 PLACES ± --- ± --- 2 PLACES ± 0.15 ± --- 1 PLACE ± 0.15 ± --- ANGULAR ± 2 °	DRAWN BY DATE JACK LIN 1998/08/06 CHECKED BY DATE WALLY WA 1998/08/06 APPROVED BY DATE MEGA LIN 1998/08/06	TITLE	50 CIRCUITS CF LOW PROFILE HEADER (REVERSE TYPE)	
		DRAFT WHERE APPLICABLE MUST REMAIN WITHIN DIMENSIONS	MATERIAL NO. 671550001	DOCUMENT NO. SD-67155-001	MOLEX INCORPORATED	
		SIZE A3	THIS DRAWING CONTAINS INFORMATION THAT IS PROPRIETARY TO MOLEX INCORPORATED AND SHOULD NOT BE USED WITHOUT WRITTEN PERMISSION			
						SHEET NO. 1 OF 4

10 9 8 7 6 5 4 3 2 1

F

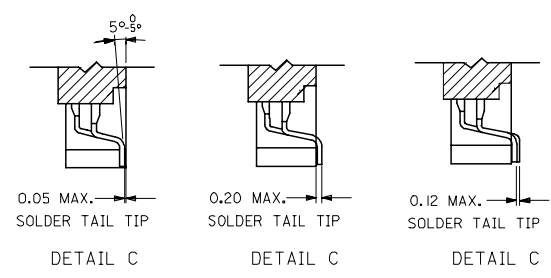
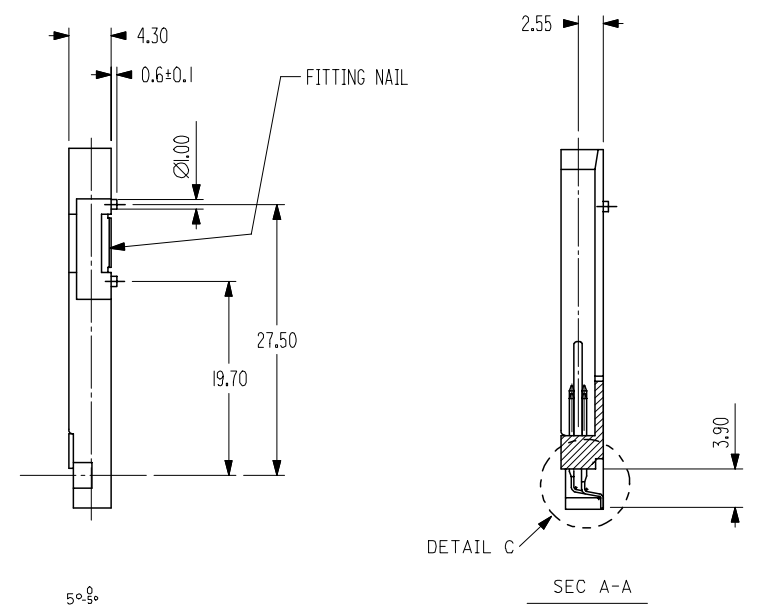
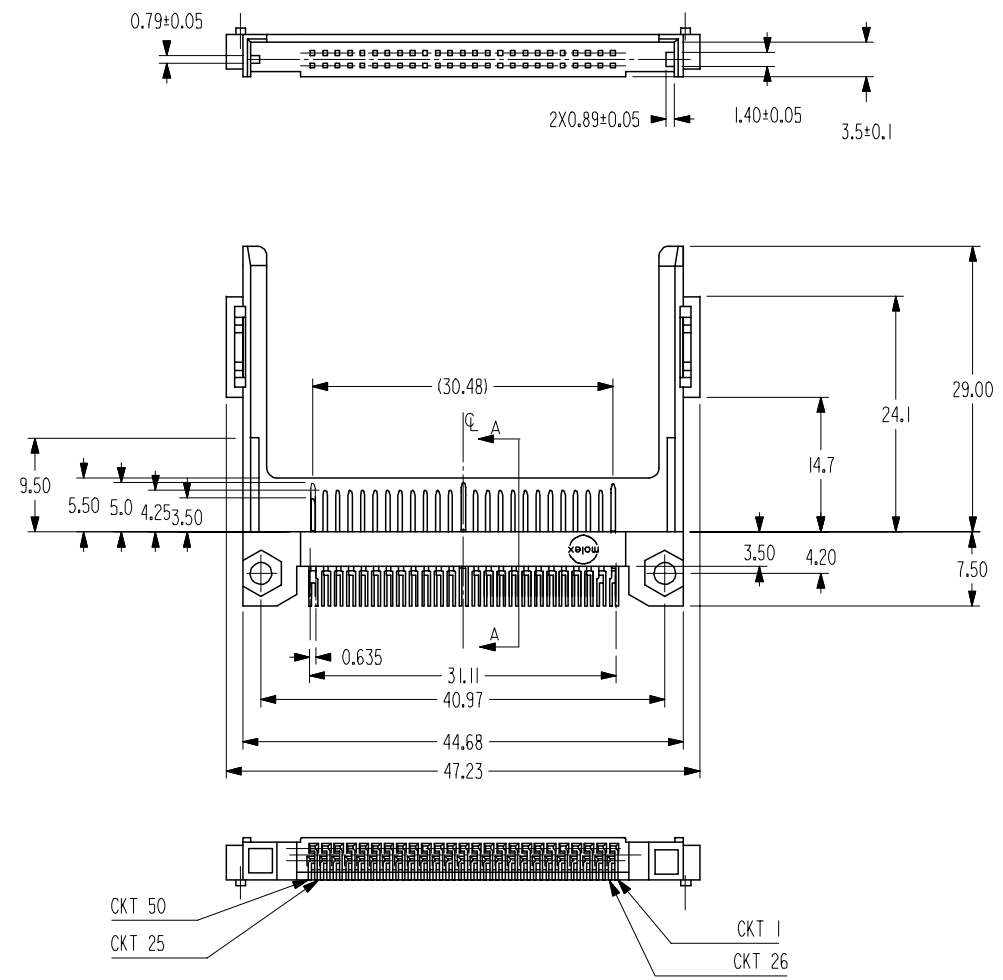
E

D

C

B

A



L/F AND NEW PART EC NO: SH2005-0087 DRAWN: JIAN 2004/09/24 CHKD: GRATE WA 2004/09/27 APPR: YIYAP 2004/09/28	QUALITY SYMBOLS ▽=0 ▽=0	GENERAL TOLERANCES (UNLESS SPECIFIED)		DIMENSION STYLE MM ONLY		SCALE 2:1	DESIGN UNITS METRIC	THIRD ANGLE PROJECTION		
			mm	INCH	DRAWN BY JACK LIN	DATE 1998/08/06	TITLE 50 CIRCUITS CF LOW PROFILE HEADER (STANDARD TYPE)			
		4 PLACES	± ---	± ---	CHECKED BY WALLY WA	DATE 1998/08/06				
		3 PLACES	± ---	± ---	APPROVED BY MEGA LIN	DATE 1998/08/06	MOLEX INCORPORATED			
2 PLACES	± 0.15	± ---	MATERIAL NO. 671550002		DOCUMENT NO. SD-67155-001	SHEET NO. 2 OF 4				
1 PLACE	± 0.15	± ---	DRAFT WHERE APPLICABLE MUST REMAIN WITHIN DIMENSIONS		THIS DRAWING CONTAINS INFORMATION THAT IS PROPRIETARY TO MOLEX INCORPORATED AND SHOULD NOT BE USED WITHOUT WRITTEN PERMISSION					

9 8 7 6 5 4 3 2 1

10 9 8 7 6 5 4 3 2 1

F

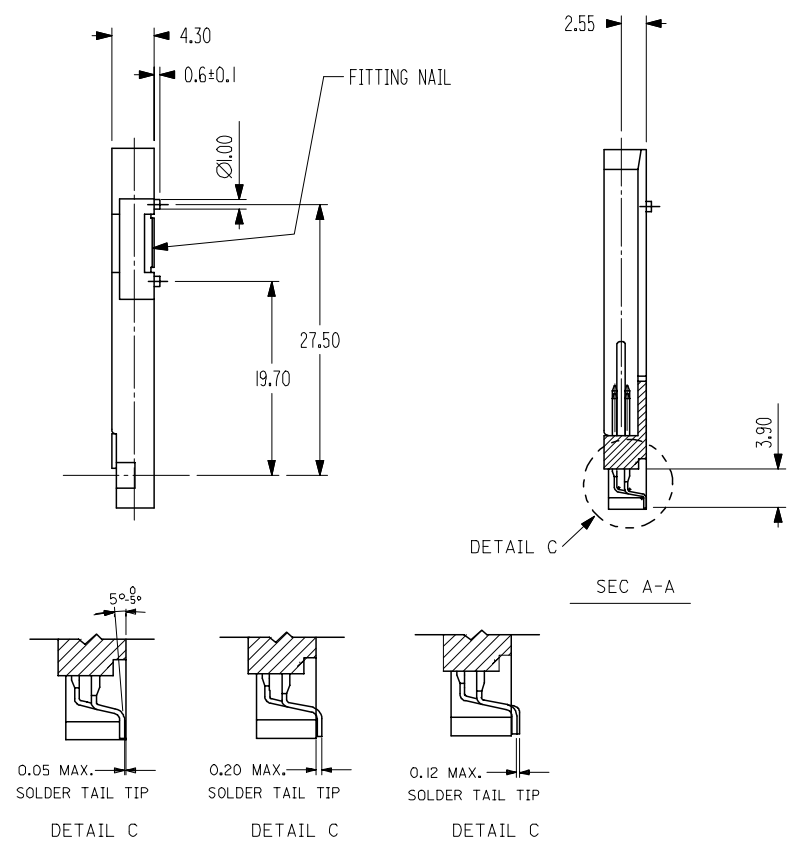
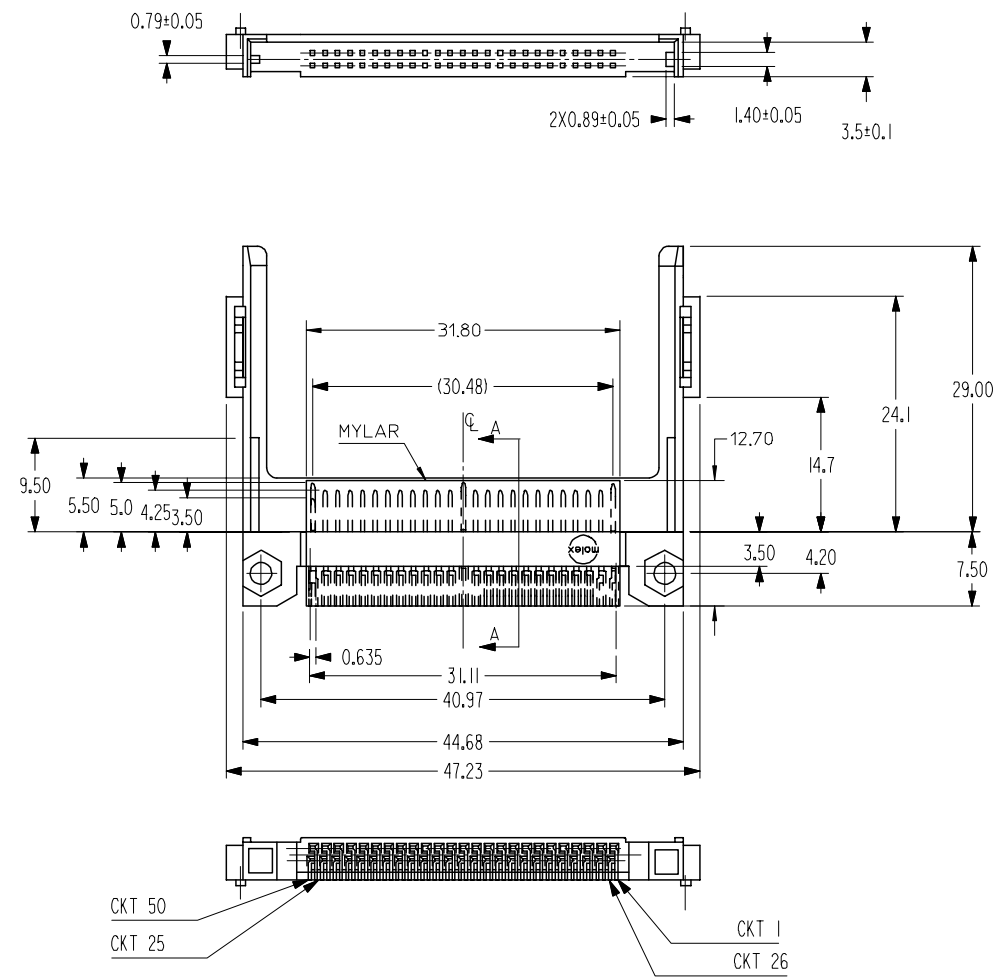
E

D

C

B

A



L/F AND NEW PART EC NO: SH2005-0087 DRAWN: JIAN 2004/09/24 CHKD: GRATE WA 2004/09/27 APPR: YIYAP 2004/09/28	QUALITY SYMBOLS ▽=0 ▽=0	GENERAL TOLERANCES (UNLESS SPECIFIED)		DIMENSION STYLE MM ONLY		SCALE 2:1	DESIGN UNITS METRIC	THIRD ANGLE PROJECTION		
			mm	INCH	DRAWN BY JACK LIN	DATE 1998/08/06	TITLE 50 CIRCUITS CF LOW PROFILE HEADER (STANDARD WITH MYLAR) MOLEX INCORPORATED			
		4 PLACES	± ---	± ---	CHECKED BY WALLY WA	DATE 1998/08/06				
		3 PLACES	± ---	± ---	APPROVED BY MEGA LIN	DATE 1998/08/06	DOCUMENT NO. SD-67155-001	SHEET NO. 3 OF 4		
2 PLACES	± 0.15	± ---	DRAFT WHERE APPLICABLE MUST REMAIN WITHIN DIMENSIONS		MATERIAL NO. 671550003					
1 PLACE	± 0.15	± ---			SIZE A3		THIS DRAWING CONTAINS INFORMATION THAT IS PROPRIETARY TO MOLEX INCORPORATED AND SHOULD NOT BE USED WITHOUT WRITTEN PERMISSION			
		ANGULAR ± 2 °								

9 8 7 6 5 4 3 2 1

10 9 8 7 6 5 4 3 2 1

F F

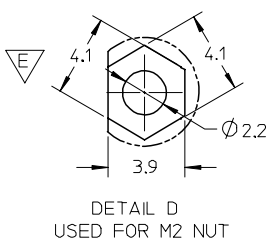
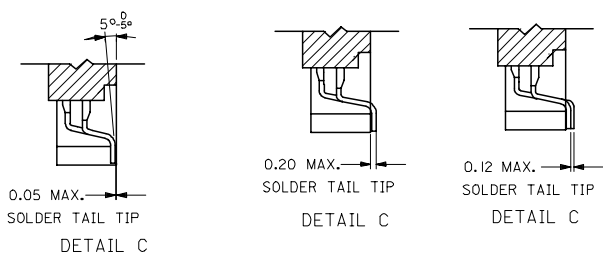
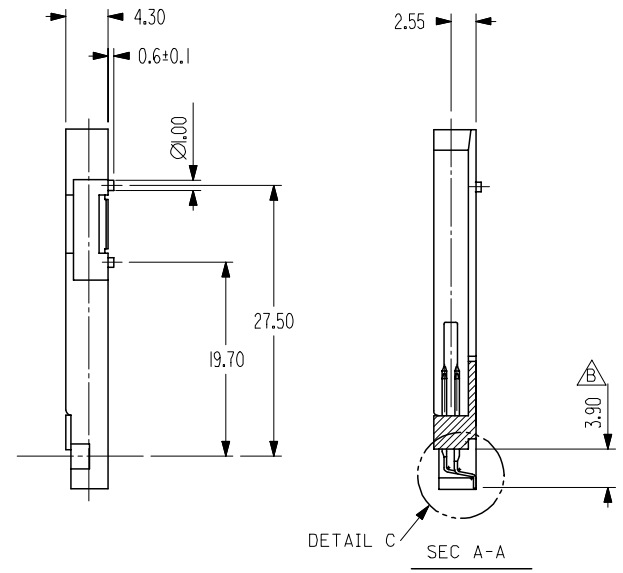
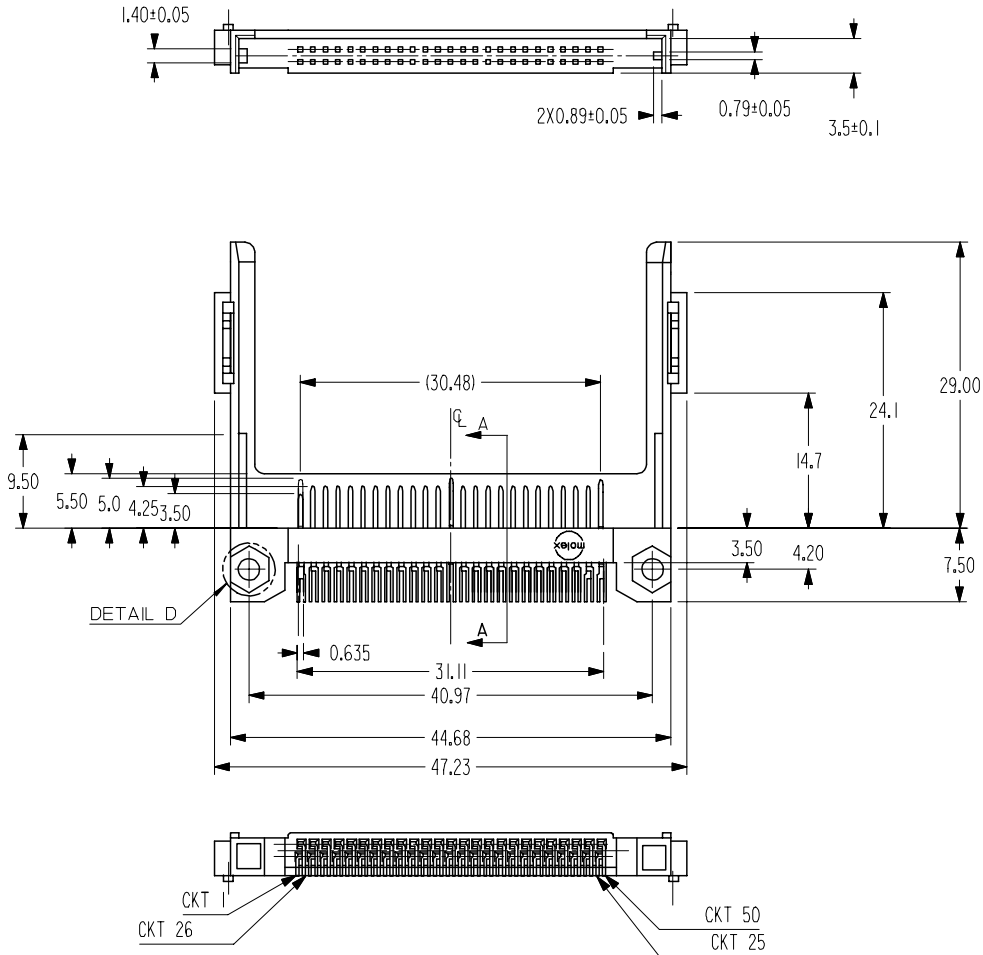
E E

D D

C C

B B

A A



REVISED	DESCRIPTION
EC NO: SH2007-0727	2007/04/10
DRWN: BCHENZ6	2007/04/11
CHKD: JTIAN	2007/04/11
APPR: INCHEH	2007/04/16

QUALITY SYMBOLS	DESCRIPTION
▽=0	
△=0	

GENERAL TOLERANCES (UNLESS SPECIFIED)	mm	INCH
4 PLACES	± ---	± ---
3 PLACES	± ---	± ---
2 PLACES	± 0.15	± ---
1 PLACE	± 0.15	± ---
ANGULAR ± 2 °		
DRAFT WHERE APPLICABLE MUST REMAIN WITHIN DIMENSIONS		

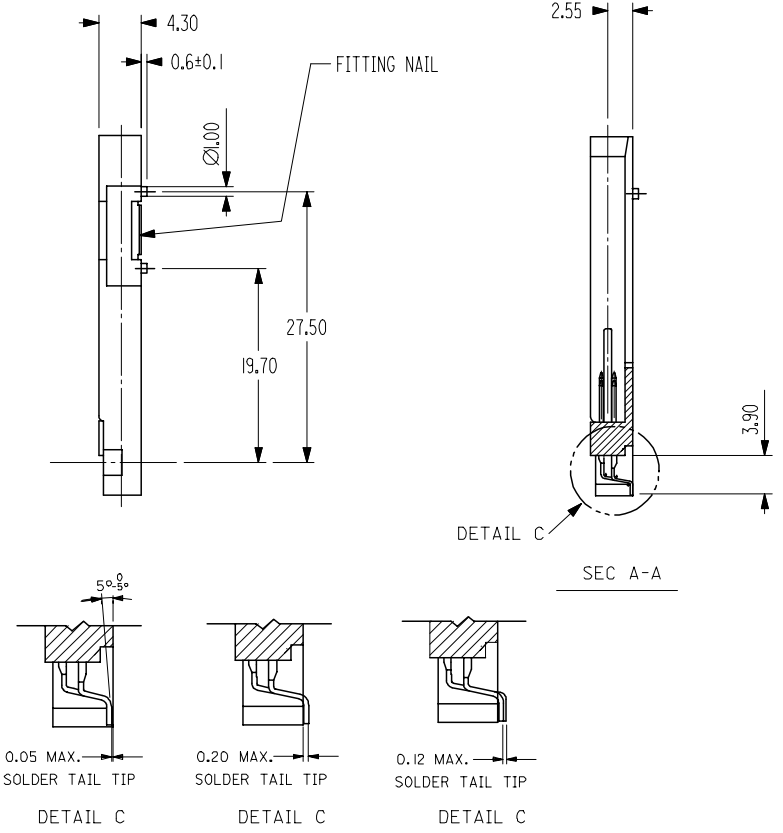
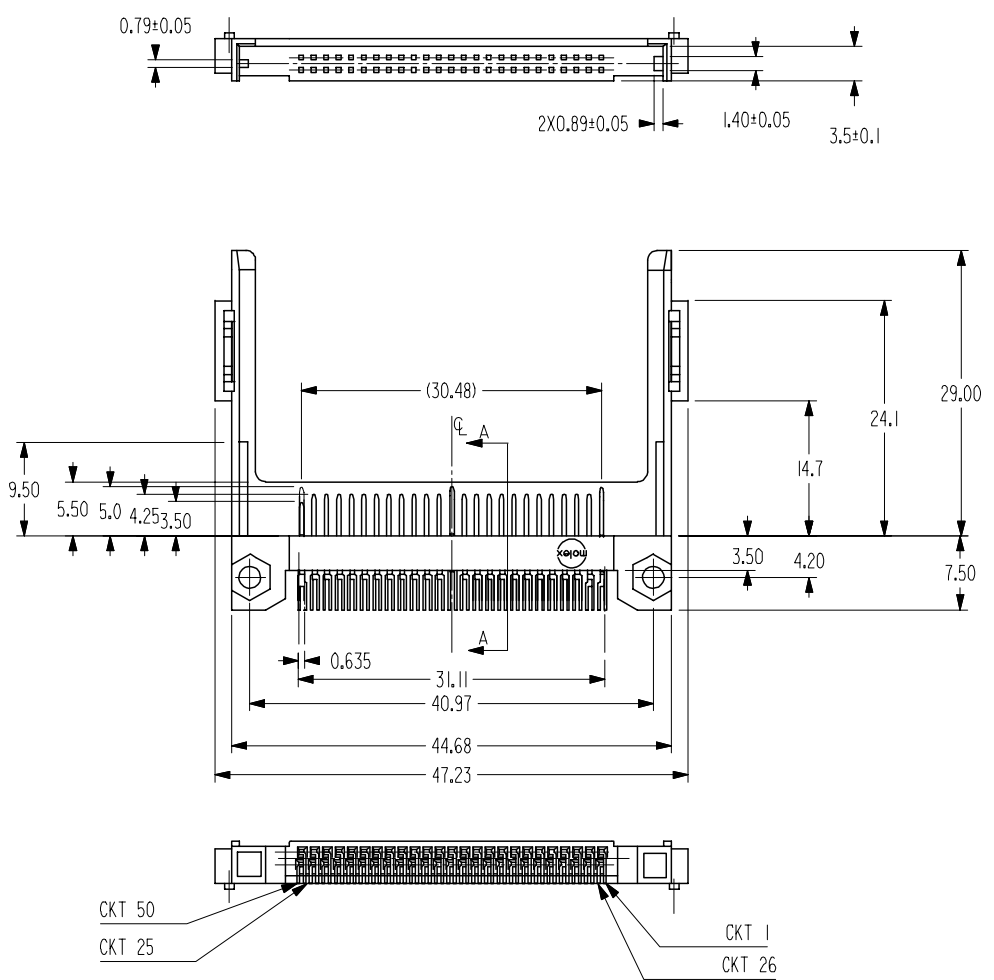
DIMENSION STYLE		SCALE	DESIGN UNITS	THIRD ANGLE PROJECTION
MM ONLY		2:1	METRIC	
DRAWN BY	DATE	TITLE		
JACK LIN	1998/08/06	50 CIRCUITS CF LOW PROFILE HEADER		
CHECKED BY	DATE			
WALLY WA	1998/08/06			
APPROVED BY	DATE			
MEGA LIN	1998/08/06	MOLEX INCORPORATED		
MATERIAL NO.	DOCUMENT NO.	SHEET NO.		
671550001	SD-67155-001	1 OF 4		

MOLEX INCORPORATED		
THIS DRAWING CONTAINS INFORMATION THAT IS PROPRIETARY TO MOLEX INCORPORATED AND SHOULD NOT BE USED WITHOUT WRITTEN PERMISSION		

9 8 7 6 5 4 3 2 1

10 9 8 7 6 5 4 3 2 1

F  
E  
D  
C  
B  
A



REVISED EC NO: SH2007-0727 DRWN: BCHENZ6 CHKD: JTIAN APPR: JNCHEN	DESCRIPTION 2007/04/10 2007/04/11 2007/04/16	QUALITY SYMBOLS	GENERAL TOLERANCES (UNLESS SPECIFIED)	DIMENSION STYLE	SCALE	DESIGN UNITS	THIRD ANGLE PROJECTION	
		$\nabla=0$ $\triangle=0$	mm    INCH 4 PLACES ± --- ± --- 3 PLACES ± --- ± --- 2 PLACES ± 0.15 ± --- 1 PLACE ± 0.15 ± --- ANGULAR ± 2 °	MM ONLY	2:1	METRIC		
			DRAFT WHERE APPLICABLE MUST REMAIN WITHIN DIMENSIONS	DRAWN BY: JACK LIN CHECKED BY: WALLY WA APPROVED BY: MEGA LIN DATE: 1998/08/06 DATE: 1998/08/06 DATE: 1998/08/06	TITLE	50 CIRCUITS CF LOW PROFILE HEADER		
				MATERIAL NO. 671550002 SIZE A3	MOLEX INCORPORATED DOCUMENT NO. SD-67155-001	SHEET NO. 2 OF 4		

9 8 7 6 5 4 3 2 1

10 9 8 7 6 5 4 3 2 1

F

E

D

C

B

A

F

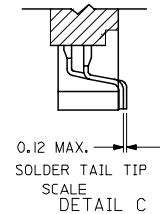
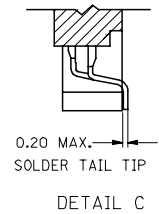
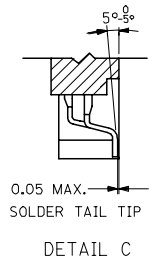
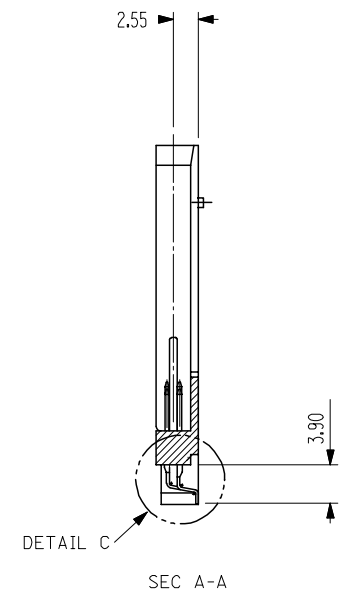
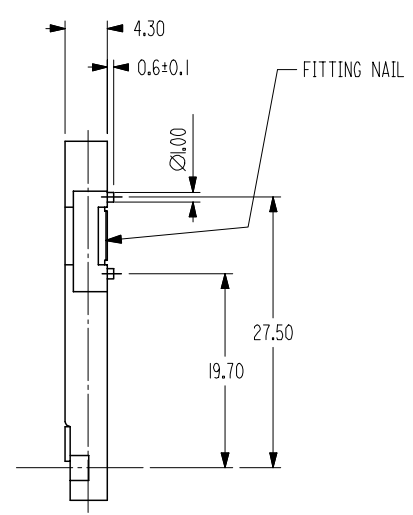
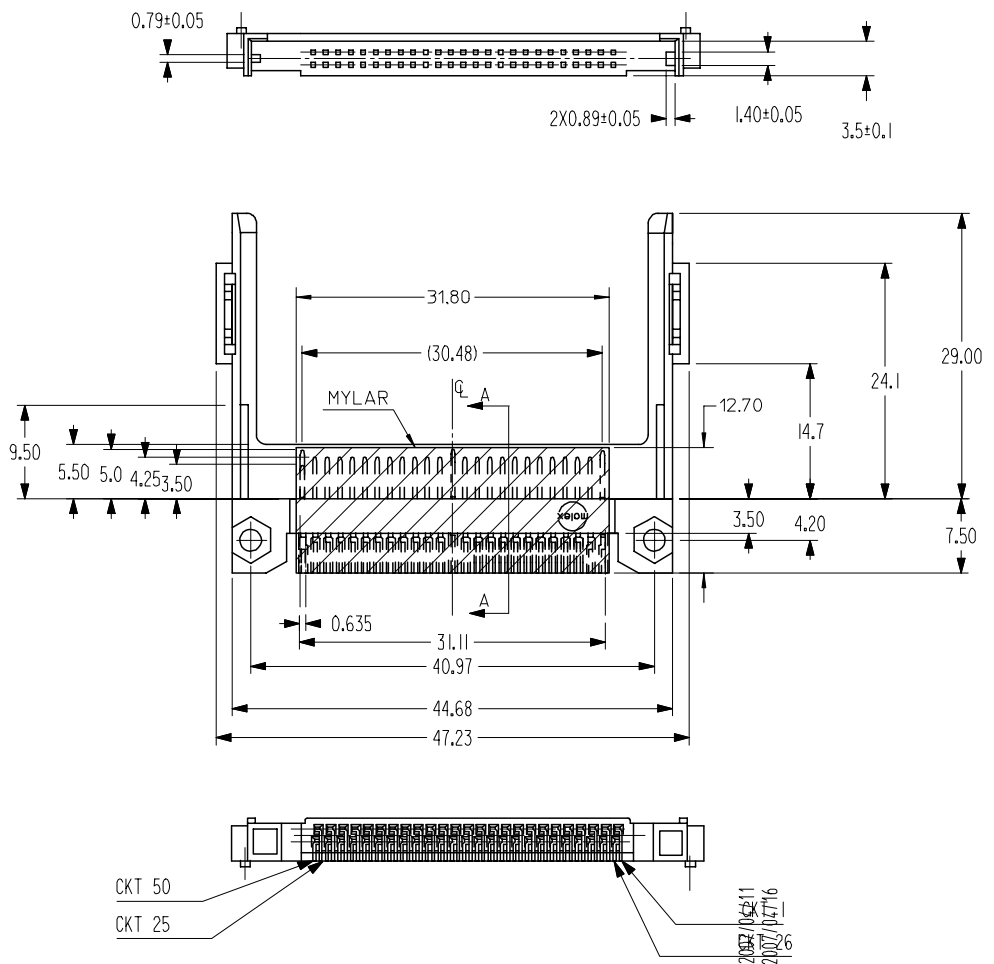
E

D

C

B

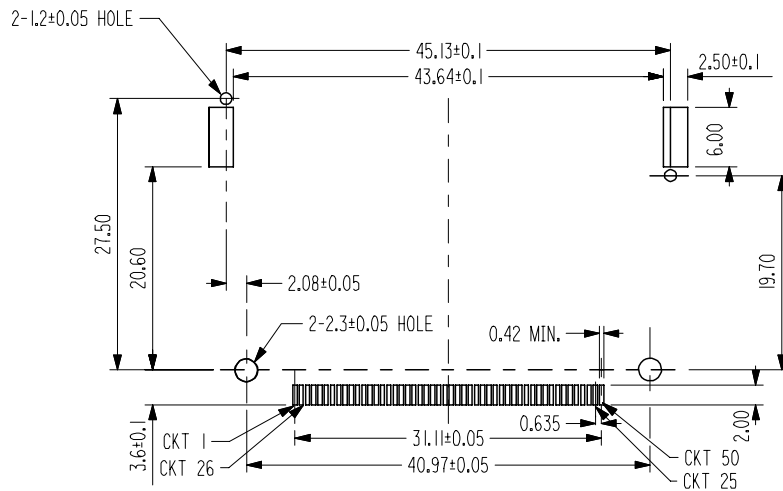
A



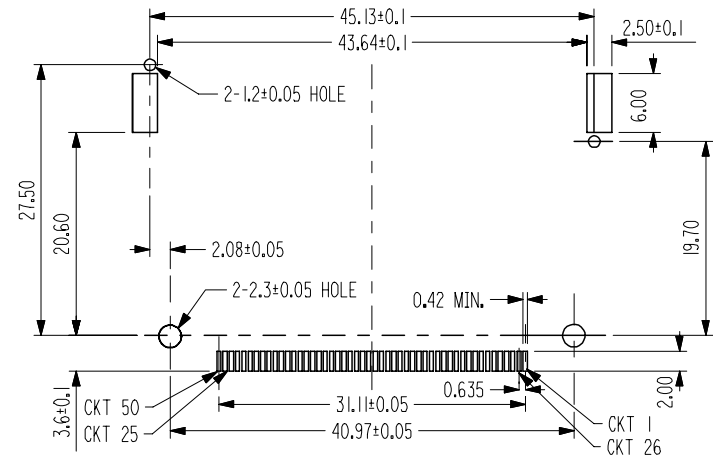
CKT 50  
CKT 25  
2007/06/11  
2007/04/11  
2007/04/16  
2007/06/26

REVISED EC NO: SH2007-0727 DRWN: B. CHENZ6 CHKD: J. TIAN APPR: J. CHEN 2007/04/10 2007/04/11 2007/04/16 2007/06/26	QUALITY SYMBOLS ▽=0 ▽=0	GENERAL TOLERANCES (UNLESS SPECIFIED)		DIMENSION STYLE MM ONLY		2:1 DESIGN UNITS METRIC THIRD ANGLE PROJECTION	TITLE 50 CIRCUITS CF LOW PROFILE HEADER		
		DRAFT WHERE APPLICABLE MUST REMAIN WITHIN DIMENSIONS		DRAWN BY JACK L IN 1998/08/06		DATE 1998/08/06			
				CHECKED BY WALLY WA 1998/08/06		DATE 1998/08/06			
				APPROVED BY MEGA L IN 1998/08/06		DATE 1998/08/06			
				MATERIAL NO. 671550003		DOCUMENT NO. SD-67155-001			
				SIZE A3		SHEET NO. 3 OF 4			

9 8 7 6 5 4 3 2 1



RECOMMENDED PCB LAYOUT  
REVERSE TYPE



RECOMMENDED PCB LAYOUT  
STANDARD TYPE

NOTES:

- MATERIAL : HOUSING: HIGH TEMP PLASTIC, UL94 V-0, COLOR: IVORY  
TERMINAL: COPPER ALLOY
- PLATING: CONTACT AREA: AU OVER PD-NI  
SOLDERING TAIL: TIN  
NICKEL OVERALL  
FITTING NAIL: TIN  
NICKEL OVERALL
- RECOMMENDED PCB THICKNESS: 0.8MM

- THE COPLANARITY OF SOLDER TAILS SHOULD BE WITHIN 0.12 MM
- FOR PRODUCT SPECIFICATION: REFER TO PS-67155-003

PART NUMBER	DISCRIPTION	PACKAGING
67155-0001	REVERSE TYPE	TYAY PK-67155-001
67155-0002	STANDARD TYPE	
67155-0003	STANDARD TYPE WITH MYLAR	TAPE & REEL PK-67155-002
67155-0004	STANDARD TYPE WITH MYLAR	

REVISED	DESCRIPTION
EC NO: SH2007-0727	
DRWN: BCHENZ6	
CHKD: JTIAN	
APPR: JNCHEN	
REV	

QUALITY SYMBOLS	DESCRIPTION
▽=0	
▽C=0	

GENERAL TOLERANCES (UNLESS SPECIFIED)	mm	INCH
4 PLACES	± ---	± ---
3 PLACES	± ---	± ---
2 PLACES	± 0.15	± ---
1 PLACE	± 0.15	± ---
ANGULAR ± 2 °		
DRAFT WHERE APPLICABLE MUST REMAIN WITHIN DIMENSIONS		

DIMENSION STYLE		SCALE	DESIGN UNITS	THIRD ANGLE PROJECTION
MM ONLY		2:1	METRIC	
DRAWN BY	DATE	TITLE		
JACK LIN	1998/08/06	50 CIRCUITS CF LOW PROFILE HEADER		
CHECKED BY	DATE			
WALLY WA	1998/08/06	MOLEX INCORPORATED		
APPROVED BY	DATE			
MEGA LIN	1998/08/06	SD-67155-001		
MATERIAL NO.	DOCUMENT NO.			
		SHEET NO.		
		4 OF 4		

MOLEX INCORPORATED	
SD-67155-001	SHEET NO. 4 OF 4
THIS DRAWING CONTAINS INFORMATION THAT IS PROPRIETARY TO MOLEX INCORPORATED AND SHOULD NOT BE USED WITHOUT WRITTEN PERMISSION	