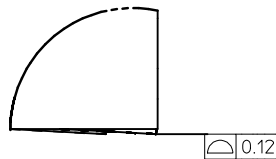
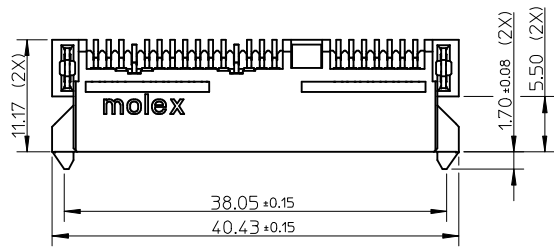
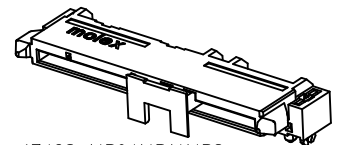
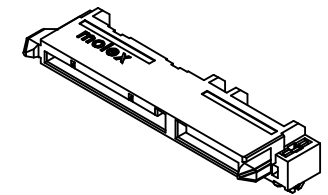
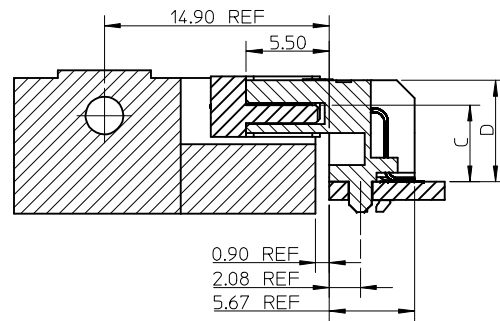


F

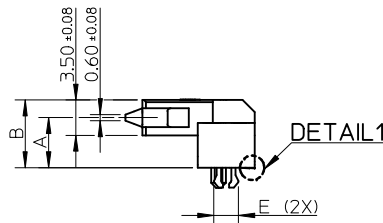
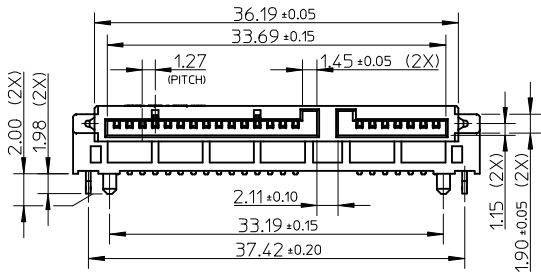


DETAIL1



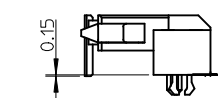
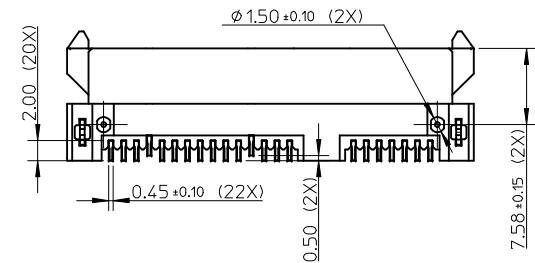
67492-1430/1431/1432
/1325/1326/1327
/1440/1441/1442
/1224/1225/1226
/1450/1451/1452.

E



DETAIL1

D



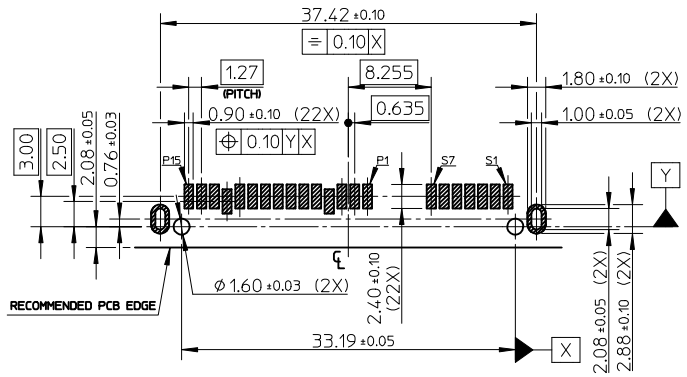
67492-1430/1431/1432
/1325/1326/1327
/1440/1441/1442
/1224/1225/1226
/1450/1451/1452.

OTHER DIMENSION PER OTHER VIEW

NOTES:

- MATERIAL:
HOUSING: HIGH TEMPERATURE THERMAL PLASTIC, UL94V-0, COLOR: BLACK;
TERMINAL: COPPER ALLOY;
FORKLOCK: COPPER ALLOY.
- TERMINAL PLATING:
CONTACT AREA:
(A) GOLD FLASH,
(B) GOLD, THICKNESS=0.76 MICRONS MINIMUM,
(C) GOLD, THICKNESS=0.38 MICRONS MINIMUM,
SOLDER AREA: TIN, THICKNESS=1.27 MICRONS MINIMUM;
UNDER PLATE: NICKEL, THICKNESS=1.27 MICRONS MINIMUM.
- FORKLOCK PLATING:
SOLDER AREA: TIN, THICKNESS=1.27 MICRONS MINIMUM;
UNDER PLATE: NICKEL, THICKNESS=1.27 MICRONS MINIMUM.
- PRODUCT SPECIFICATION: REFER TO PS-67492-001.
- PACKAGING METHOD: TRAY, USE DRYER IN HDPE BAGE TO PREVENT BLISTER.
- MATING PARTS: 87703/87672.
- PRODUCT COMPLIANT TO RoSH DIRECTIVE 2002/95/EC AND ELV DIRECTIVE 2000/53/EC.

B



RECOMMENDED P.C.B. LAYOUT (THICKNESS=1.2mm)
CONNECTOR SIDE

ADD PART NUMBER EC NO: 2009/07/29 DRWN: XQZHANG CHKD: GLLI APPR: XJSONG 2009/08/07 2009/09/03	QUALITY SYMBOLS ▽=0 ▽=0	GENERAL TOLERANCES (UNLESS SPECIFIED)		DIMENSION STYLE MM ONLY		SCALE 1:1	DESIGN UNITS METRIC	THIRD ANGLE PROJECTION
		mm	INCH	DRAWN BY	DATE	TITLE		
		4 PLACES ± ---	± ---	GRATE MA	2003/10/10	SATA HOST RECEPTACLE R/A SMT TYPE		
		3 PLACES ± ---	± ---	CHECKED BY	DATE	MOLEX INCORPORATED		
ADD PART NUMBER K	REV	2 PLACES ± 0.15	± ---	YA JUN	2003/10/10	MOLEX INCORPORATED		
		1 PLACE ± 0.25	± ---	APPROVED BY	DATE	DOCUMENT NO.		
		ANGULAR ± 3 °		SAM	2003/10/10	SD-67492-001		
		DRAFT WHERE APPLICABLE MUST REMAIN WITHIN DIMENSIONS		MATERIAL NO.	DATE	SHEET NO.		
		SIZE	THIS DRAWING CONTAINS INFORMATION THAT IS PROPRIETARY TO MOLEX INCORPORATED AND SHOULD NOT BE USED WITHOUT WRITTEN PERMISSION					

P/N	PLATING	DIM'A'	DIM'B'	DIM'C'	DIM'D'	DIM'E'	REMARK
67492-1420	NOTES 2 (A)	4.15	5.90	4.25	5.90	2.45±0.10	TRAY PACKAGE PK-67492-001
67492-1421	NOTES 2 (B)						
67492-1422	NOTES 2 (C)						
67492-1320	NOTES 2 (A)	3.50	5.25	3.60	5.25	2.45±0.10	
67492-1321	NOTES 2 (B)						
67492-1322	NOTES 2 (C)						
67492-1120	NOTES 2 (A)	1.80	3.55	1.90	3.55	2.45±0.10	
67492-1121	NOTES 2 (B)						
67492-1122	NOTES 2 (C)						
67492-9220	NOTES 2 (A)	4.99	6.74	5.09	6.74	2.45±0.10	
67492-9221	NOTES 2 (B)						
67492-9222	NOTES 2 (C)						
67492-1220	NOTES 2 (A)	4.99	6.74	5.09	6.74	2.45±0.10	TAPE&REEL PACKAGE PK-67492-002
67492-1221	NOTES 2 (B)						
67492-1222	NOTES 2 (C)						
67492-1224	NOTES 2 (A)	4.99	6.74	5.09	6.74	2.33±0.05	TAPE&REEL PACKAGE WITH CAP PK-67492-002
67492-1225	NOTES 2 (B)						
67492-1226	NOTES 2 (C)						
67492-1430	NOTES 2 (A)	4.15	5.90	4.25	5.90	2.45±0.10	TAPE&REEL PACKAGE WITH CAP PK-67492-008
67492-1431	NOTES 2 (B)						
67492-1432	NOTES 2 (C)						
67492-1325	NOTES 2 (A)	3.50	5.25	3.60	5.25	2.45±0.10	
67492-1326	NOTES 2 (B)						
67492-1327	NOTES 2 (C)						
67492-1440	NOTES 2 (B)	4.15	5.90	4.25	5.90	2.33±0.05	
67492-1441	NOTES 2 (A)						
67492-1442	NOTES 2 (C)						
67492-1450	NOTES 2 (A)	4.10	5.85	4.20	5.85	2.33±0.05	
67492-1451	NOTES 2 (B)						
67492-1452	NOTES 2 (C)						

ADD PART NUMBER EC NO: 2009/07/29 DRWN:XQZHANG 2009/08/07 CHKD:GLLI 2009/08/07 APPR:XJ.SONG 2009/09/03	DESCRIPTION REV	QUALITY SYMBOLS	GENERAL TOLERANCES (UNLESS SPECIFIED)	DIMENSION STYLE	SCALE	DESIGN UNITS	THIRD ANGLE PROJECTION
		▼=0 ◻=0	mm INCH 4 PLACES ± --- ± --- 3 PLACES ± --- ± --- 2 PLACES ± 0.15 ± --- 1 PLACE ± 0.25 ± --- ANGULAR ± 3 °	MM ONLY	1:1	METRIC	DRAWN BY: GRATE MA DATE: 2003/10/10 CHECKED BY: YA JUN DATE: 2003/10/10 APPROVED BY: SAM DATE: 2003/10/10 MATERIAL NO. DOCUMENT NO.
		DRAFT WHERE APPLICABLE MUST REMAIN WITHIN DIMENSIONS		SEE TABLE	TITLE: SATA HOST RECEPTACLE R/A SMT TYPE MOLEX INCORPORATED SD-67492-001		SHEET NO. 2 OF 2
		THIS DRAWING CONTAINS INFORMATION THAT IS PROPRIETARY TO MOLEX INCORPORATED AND SHOULD NOT BE USED WITHOUT WRITTEN PERMISSION					