

PLEASE CHECK WWW.MOLEX.COM FOR LATEST PART INFORMATION

Part Number: [67492-1327](#)

Status: **Active**

Overview: Serial ATA Host Receptacles

Description: 1.27mm Pitch Serial ATA Host Receptacle, Right Angle, SMT, Mating Height 5.25mm, 0.38µm Gold (Au) Plating, 22 Circuits, with Cap, Embossed Tape on Reel Packaging, Lead-Free

Documents:

[3D Model](#)

[Drawing \(PDF\)](#)

[Product Specification PS-67492-001 \(PDF\)](#)

[RoHS Certificate of Compliance \(PDF\)](#)

General

Product Family	PCB Receptacles
Series	67492
Application	Board-to-Board, Signal
Comments	With Cap
Overview	Serial ATA Host Receptacles
Product Name	Serial ATA
UPC	883906396527

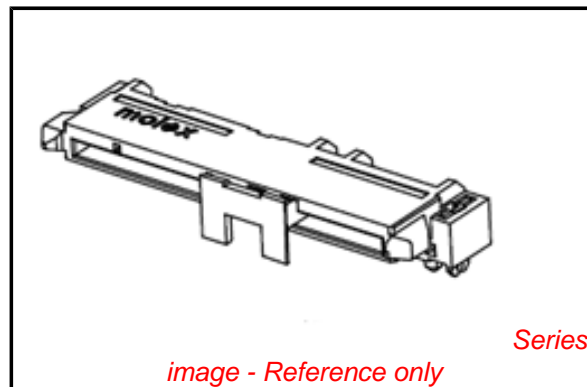
Physical

Circuits (Loaded)	22
Circuits (maximum)	22
Color - Resin	Black
Durability (mating cycles max)	500
Glow-Wire Compliant	No
Guide to Mating Part	Yes
Keying to Mating Part	Yes
Lock to Mating Part	None
Material - Metal	Copper Alloy
Material - Plating Mating	Gold
Material - Plating Termination	Tin
Material - Resin	High Temperature Thermoplastic
Net Weight	1.900/g
Number of Rows	1
Orientation	Right Angle
PCB Locator	Yes
PCB Retention	Yes
PCB Thickness - Recommended	1.60mm
Packaging Type	Embossed Tape on Reel
Pitch - Mating Interface	1.27mm
Pitch - Termination Interface	1.27mm
Plating min - Mating	0.381µm
Plating min - Termination	1.270µm
Polarized to Mating Part	Yes
Polarized to PCB	Yes
Robotic Placement	Pick and Place Cap
Stackable	No
Temperature Range - Operating	-35°C to +85°C
Termination Interface: Style	Surface Mount

Electrical

Current - Maximum per Contact	1.5A
Voltage - Maximum	15V DC

Material Info



EU RoHS

**ELV and RoHS
Compliant**
**REACH SVHC
Not Reviewed**
**Low-Halogen Status
Not Reviewed**

China RoHS



**Need more information on product
environmental compliance?**

Email productcompliance@molex.com
For a multiple part number RoHS Certificate of
Compliance, [click here](#)

Please visit the [Contact Us](#) section for any
non-product compliance questions.

Search Parts in this Series

[67492Series](#)

Mates With

[87703](#) , [87672](#) Serial ATA Plugs

Reference - Drawing Numbers

Product Specification
Sales Drawing

PS-67492-001
SD-67492-001

This document was generated on 10/11/2012

PLEASE CHECK WWW.MOLEX.COM FOR LATEST PART INFORMATION