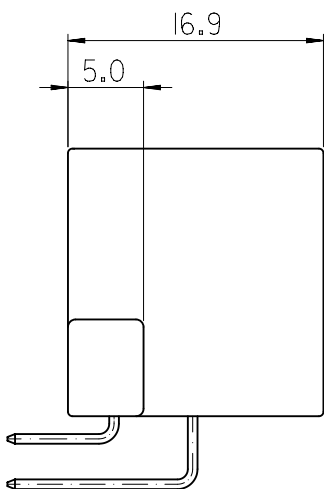
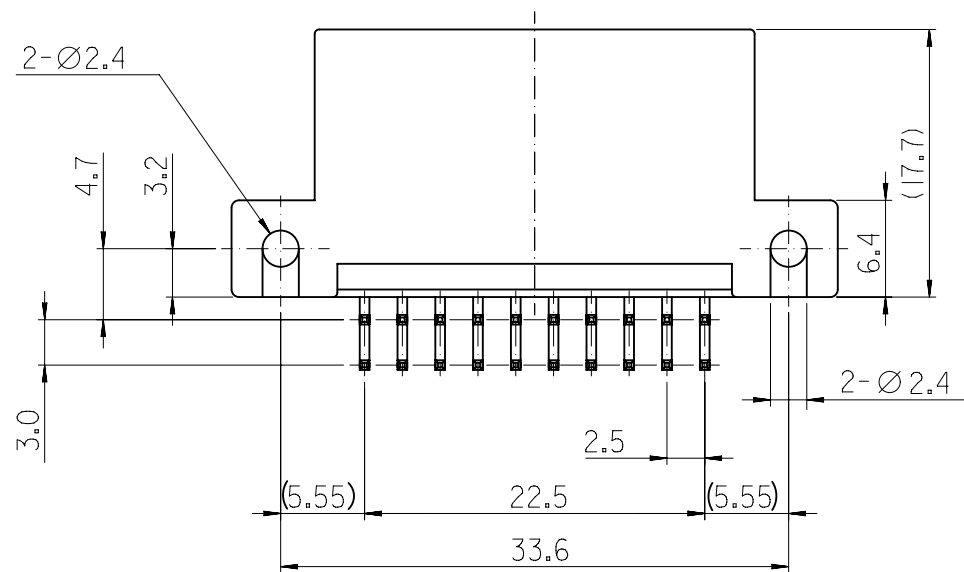


NO.	PART NO.	COLOR	OPTION
1	68151-2025	GRAY	A
2	68151-2026	BLACK	B

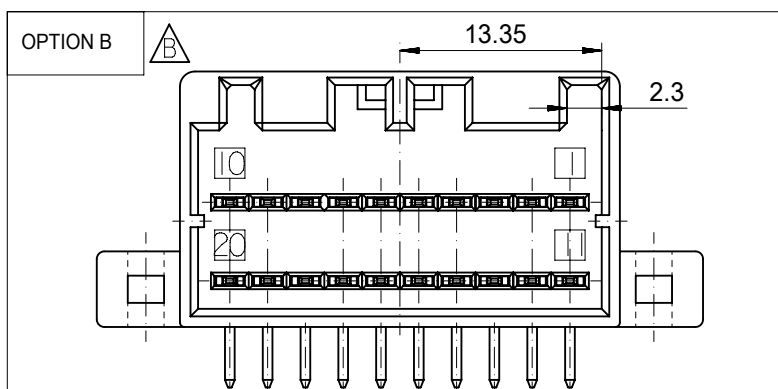
SECT. A-A



NOTES

- 1. APPLICABLE FEMALE HOUSING : 35564-201*
- 2. MATERIAL : SEE TABLE

NO.	DESCRIPTION	MATERIAL	REMARK
1	HOUSING	PBT GF-15	UL94B
2	PIN(L)	BRASS	PRE-TIN PLATED
3	PIN(S)	BRASS	PRE-TIN PLATED



QUALITY SYMBOLS ▽ = 0 ▽ = 0 ▽ = 0 ▼ = 0 ▽ = 0 ▽ = 0 ⊠ = 0 ■ = 0 ▽ = 0	THIS DRAWING CONTAINS INFORMATION THAT IS PROPRIETARY TO MOLEX ELECTRONIC TECHNOLOGIES, LLC AND SHOULD NOT BE USED WITHOUT WRITTEN PERMISSION		GENERAL TOLERANCES (UNLESS SPECIFIED) DIMENSION UNITS: mm SCALE: 1:1 ANGULAR TOL ± 0.5 °		
	EC NO: 607112 DRWN: SAKIM CHKD: JHJANG APPR: JHJANG	2018/11/05 2018/11/06 2018/11/06	DRWN BY: BYUNGCHANYOO DATE: 2002/12/04 CHK'D BY: Y.SIK.KIM DATE: 2002/12/05 APPR BY: CHANGWOOLEE DATE: 2002/12/05		
PRODUCT CUSTOMER DRAWING			SERIES: 68151 MATERIAL NUMBER: [] CUSTOMER: GENERAL MARKET	DOCUMENT NUMBER: SD-68151-002 DOC TYPE: PSD DOC PART: 001 SHEET NUMBER: 1 OF 1	