

DO NOT SCALE DRAWING  
DIMENSION IN METRIC

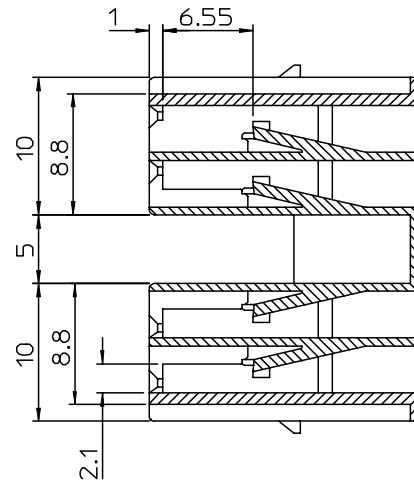
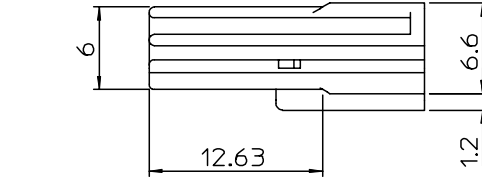
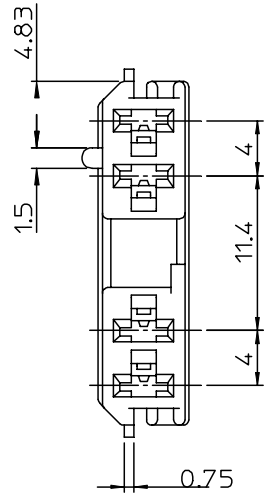
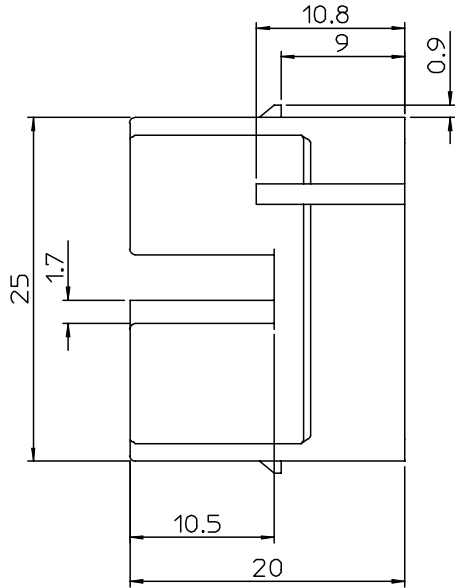
B

C

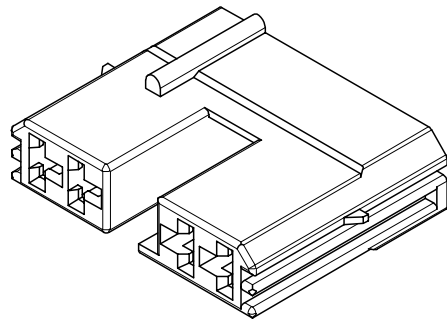
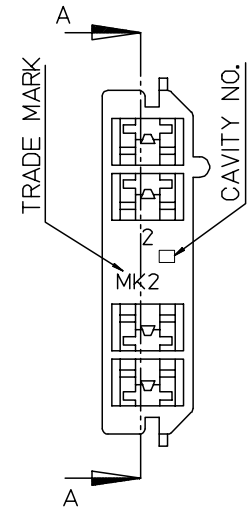
PROJECT NO.

SIMILAR ITEM

DWG. NO.  
SD-68428-001



SECTION A-A



NOTES

1. MATERIAL : POLYESTER(PBT),UL94V-0

COLOR : WHITE(NATURAL)

2.PRODUCT SPECIFICATION : PS-68428-001

REVISED	ECN NO. KOR2006-0152 DRWN: J.B.JIN 06/07/10 CHK: W.Y.YANG APPR: S.HCHOI	DESCRIPTION	QUALITY SYMBOLS MAJOR $\blacktriangledown = 0$ CRITICAL $\blacktriangledown C = 0$	GENERAL TOLERANCES: (UNLESS SPECIFIED)		SCALE 1:1	DESIGN UNITS <input checked="" type="checkbox"/> mm <input type="checkbox"/> INCH	THIRD ANGLE PROJECTION	DIMENSIONS: <input type="checkbox"/> mm <input type="checkbox"/> INCH <input checked="" type="checkbox"/> mm ONLY	SHT	REV
				4 PLACES $\pm 0.$	$\pm -$	DRAWN BY & DATE W.Y.YANG 03/02/10	TITLE: .110 HOUSING-4P (4mm PITCH) (FOR DOOR SWITCH)				
B1	REV	DRAFT WHERE APPLICABLE MUST REMAIN WITHIN DIMENSIONS		3 PLACES $\pm 0.$	$\pm -$	CHECKED BY & DATE W.Y.YANG 03/02/10		MOLEX INCORPORATED			
				2 PLACES $\pm 0.25$	$\pm -$	APPROVED BY & DATE C.W.LEE 03/02/10		SHEET NO. 1 OF 1			
				1 PLACE $\pm 0.25$	$\pm -$	CAD FILENAME S68428BBJ.MI	MATERIAL NO. 684280400	DRAWING NO. SD-68428-001	KOREA		MX-A3

A

B

C

D

E

F

8 7 6 5 4 3 2 1