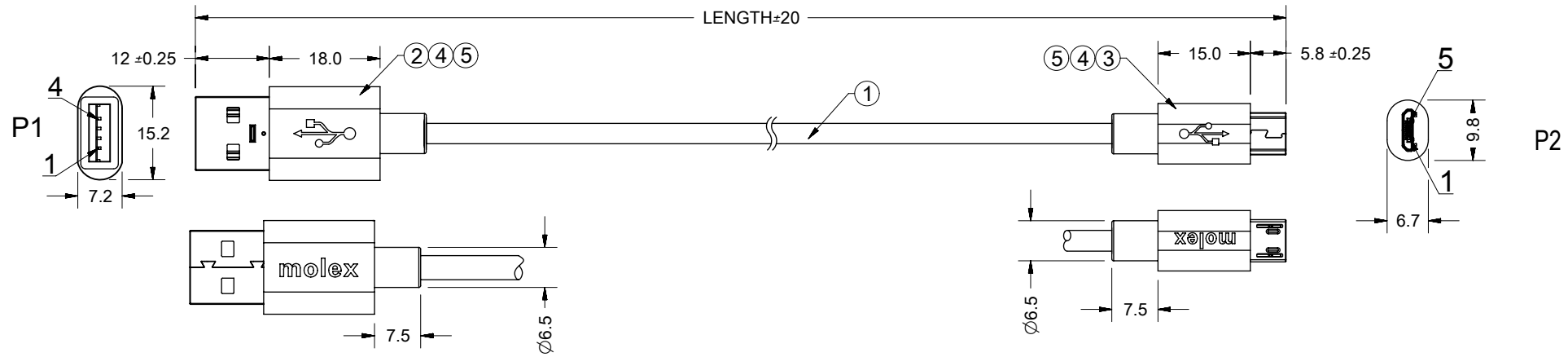


REVISIONS				
EC NO	DATE	REV	DESCRIPTION	CHANGER
NA	2018/09/13	A	INITIAL RELEASE	CISSY



PART NO.	LENGTH	DESCRIPTION
687680398	L=1000MM	USB2.0 A to Micro B 2.0 L=1M
687680399	L=1500MM	USB2.0 A to Micro B 2.0 L=1.5M
687680400	L=2000MM	USB2.0 A to Micro B 2.0 L=2M

SHELL	BRAID WIRE	SHELL
4	BLACK	5
3	GREEN	3
2	WHITE	2
1	RED	1
P1	WIRE COLOR	P2
PIN ASSIGNMENTS		

ITEM	DESCRIPTION	QTY'
5	OUTMOLDED PVC BLACK	A/R
4	INNER MOLDED LDPE	A/R
3	MICRO 5P USB B PLUG, CONTACTS: GOLD 1u" PLATED,SHELL: NICKEL PLATED,	1
2	USB A TYPE PLUG, CONTACTS: GOLD 1u" PLATED,SHELL: NICKEL PLATED,	1
1	USB CABLE 28AWG*1P+26AWG*2C+AEB JACKET BLACK	1

NOTE:
 1. OUTMOLDED WITH BLACK PVC RESIN
 INNER MOLDER WITH PE RESIN
 2. ELECTRICAL PERFORMANCE:
 2.1 RATED CURRENT:1.0A
 2.2 RATED VOLTAGE:30V AC
 2.3 THIS PRODUCT MUST MEET USB 2.0 STANDARD.
 3.THIS PRODUCT MUST MEET THE EU RoHS CHEMICAL SUBSTANCES
 SPECIFICATION FOR PRODUCTS (2011/65/EU)
 4. APPLICATION CONDITION:
 4.1 WORKING CONDITION (TEMPERATURE:0°----+50°)
 4.2 STORE CONDITION (TEMPERATURE:-20°----+60°)

SYMBOLS DIMENSION UNITS: mm SCALE: 1:1 CURRENT REV DESC: EC NO: 604448 DRWN: ZZXIAN 2018/09/13 CHK'D: CWANG49 2018/09/14 APPR: LHLIU 2018/09/14 INITIAL REVISION: DRWN: ZZXIAN 2018/08/16 APPR: LHLIU 2018/09/14 DRAFT WHERE APPLICABLE MUST REMAIN WITHIN DIMENSIONS THIRD ANGLE PROJECTION DRAWING: A4-SIZE SERIES: 201241	 SEE TABLE PRODUCT CUSTOMER DRAWING		
	DOCUMENT NUMBER	DOC TYPE	DOC PART
	2012410605	PSD	000
	REVISION	A	
MATERIAL NUMBER	CUSTOMER	SHEET NUMBER	
SEE TABLE	GENERAL MARKET	1 OF 1	

DOCUMENT STATUS	P1	RELEASE DATE	2018/09/14	09:50:22
-----------------	----	--------------	------------	----------